



# STALWART INC.

Office Address :

1ST FLOOR, SAKHIYA VILLAS, INFRONT OF BOYSPOLITECHNIC COLLEGE, JHANSI ROAD  
NAKACHANDRAWADNI, GWALIOR, MADHYA PRADESH,474009

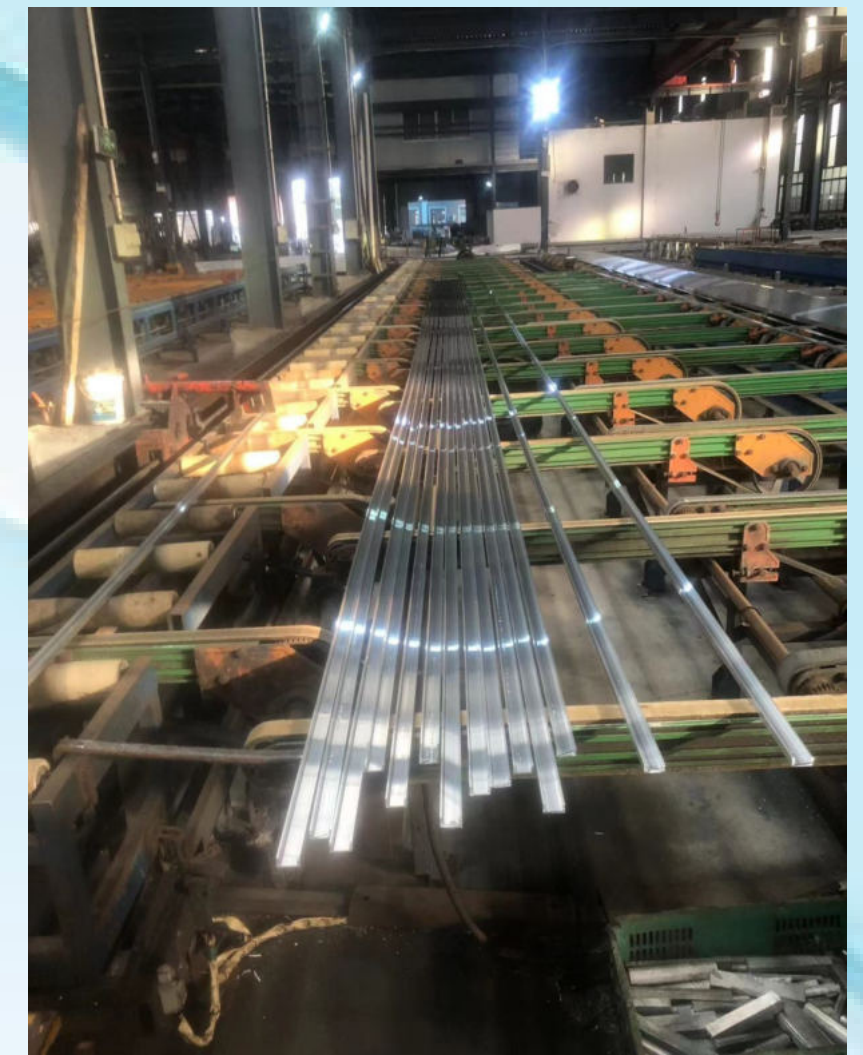
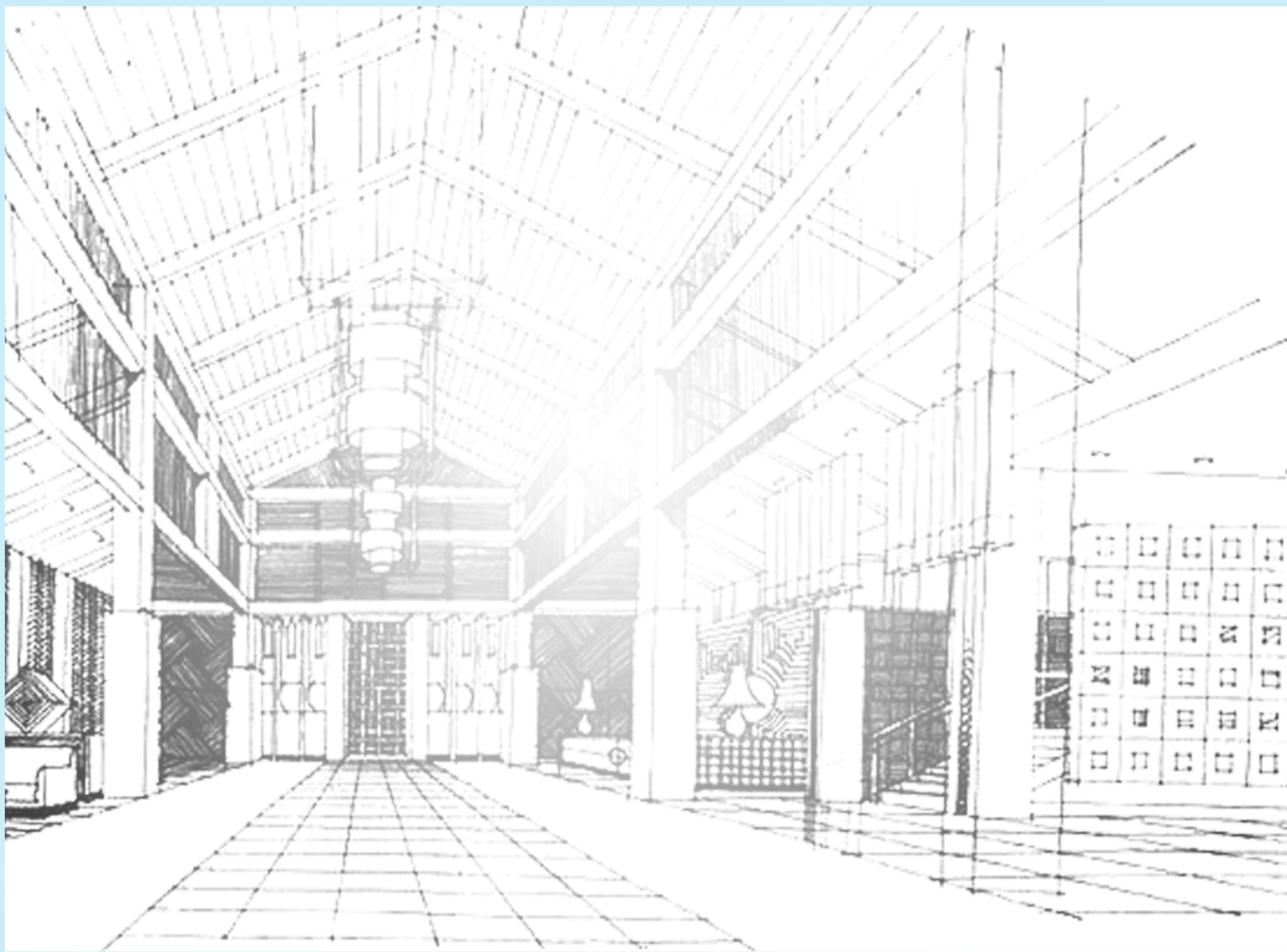
Contact : +91 7415357199

Email : [infostalwartinc@gmail.com](mailto:infostalwartinc@gmail.com)

web site : [www.stalwartinc.in](http://www.stalwartinc.in)

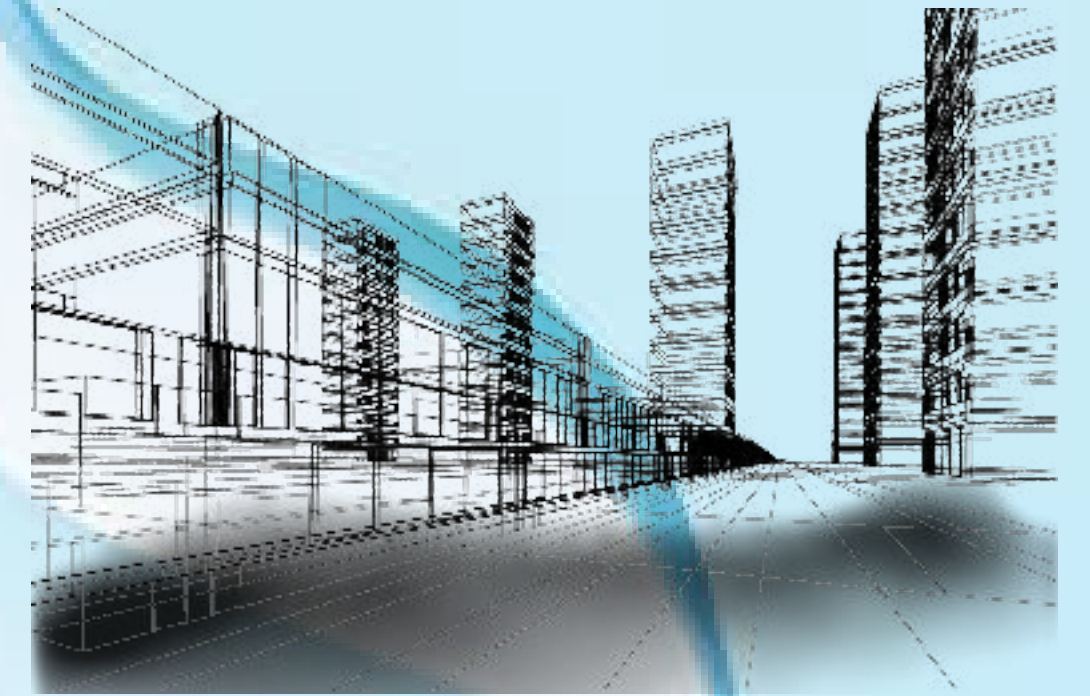
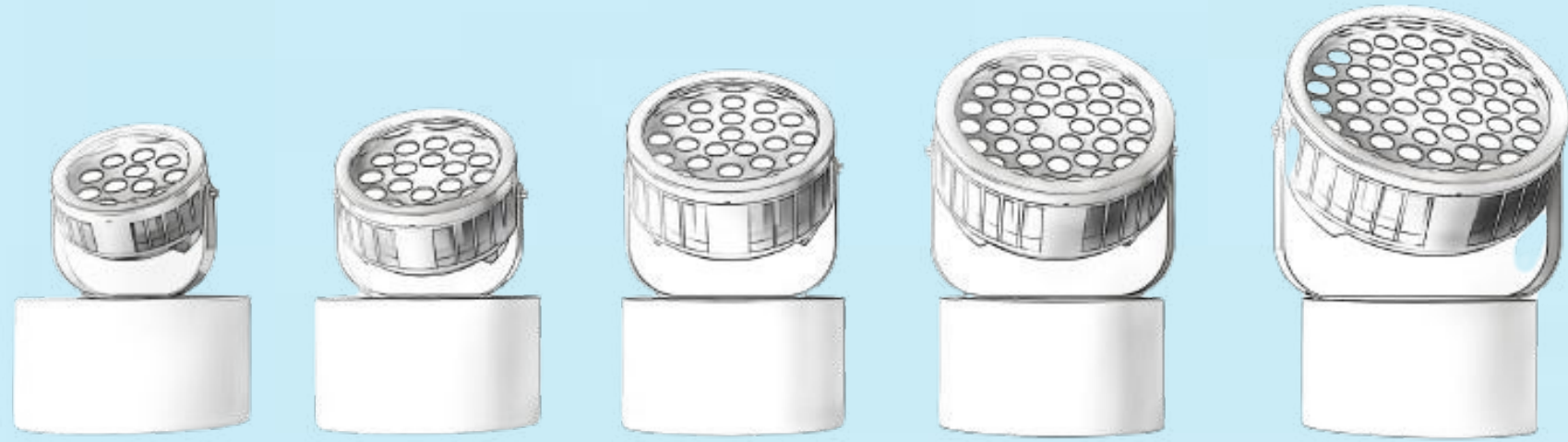
## STALWART INC.





STALWART INC. IS A HIGH-TECH ENTERPRISE INTEGRATING TECHNICAL CONSULTATION, PRODUCT DEVELOPMENT, PRODUCTION, AND SALES. WE SPECIALIZE IN THE MANUFACTURING AND EXPORTATION OF LED EQUIPMENT (LIGHT VIDEO WALLS, FOR EXAMPLE), GPS TRACKING SYSTEM, AND OTHER. WE HAVE EXPERIENCE IN MANUFACTURING LED LIGHTS, AS WELL AS SKILLED WORKERS BACKED UP BY A STRONG R&D TEAM. WE HAVE SET UP A SET OF QUALITY CONTROL SYSTEMS. QUALITY THAT MEETS YOUR STANDARDS IS CONDUCTED STRINGENTLY BY OUR EIGHT QC STAFF WITH ROHS DIRECTIVES. WE HAVE INTERNATIONAL EXPERIENCE. WE HAVE WON CUSTOMERS' TRUST BECAUSE OF OUR GOOD QUALITY, FLAWLESS CRAFT TECHNIQUE, EXCELLENT SERVICES, AND COMPETITIVE PRICE. NOW OUR TRADE TEAM IS READY TO SERVE YOU STALWART INC.





# PRODUCT

## Contents

### Product Catalog

Transformers Series (Glass)

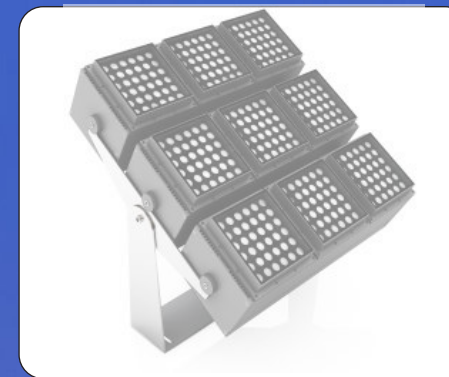
Transformers series (one-piece lens) Small Galaxy series Large Galaxy series Extra small Mercedes-Benz series Small Mercedes-Benz series Medium Mercedes-Benz series Large Mercedes-Benz series Economic small light cube series Economic medium light cube series Economic large light cube series Mini light cube series Wall light cube series Small light cube series Medium light cube series Large light cube series Extra large light cube series Scorpio series Lightning series One-piece lens blade series Glass blade series One-piece lens Roman series Glass Roman series Glass Roman underground lamp series One-piece lens Roman underground lamp series New wheel series New wheel underground lamp series Rainbow lamp series Little Warrior series Bucket lamp Small Galaxy imitation flying

- P01-06
- P07-08
- P09-12
- P13-16
- P17
- P18-19
- P20-22
- P23-25
- P26-28
- P29-31
- P32-34
- P35-36
- P37
- P38-41
- P42-45
- P46-49
- P50-51 P69
- P70
- P71
- P52-53
- P54
- P55-57
- P58
- P59-60
- P61
- P62
- P63
- P64-65
- P66-67
- P68
- P69



**Specializing in the production of high-end floodlights, underground lamps, tree lights and other outdoor lamps, shells, and blanks.**

※ The slope is equipped with step glass to prevent water and dust accumulation, and the entire lamp structure is waterproof! ※ The hidden air valve does not affect the appearance, is waterproof, breathable, and prevents beading and fogging. It effectively balances the temperature difference between the inside and outside of the lamp body and increases the service life! ※ Equipped with deep-hole anti-glare perforated sheets, it effectively reduces the unnecessary glare of the light, making the entire lamp more effective and more suitable for public places!





# Transformers

(glass version) series

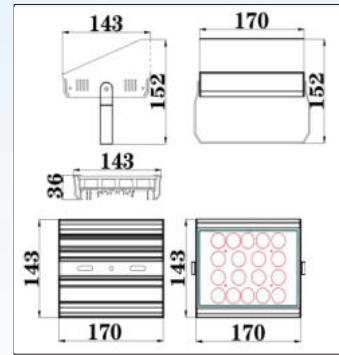
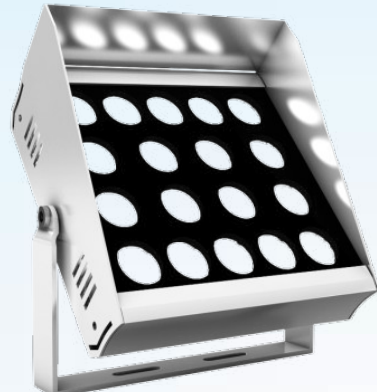
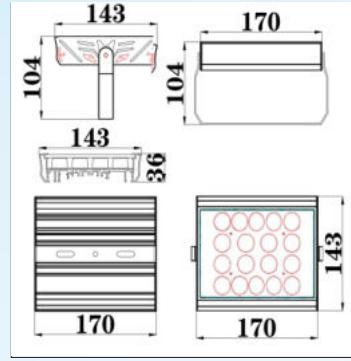
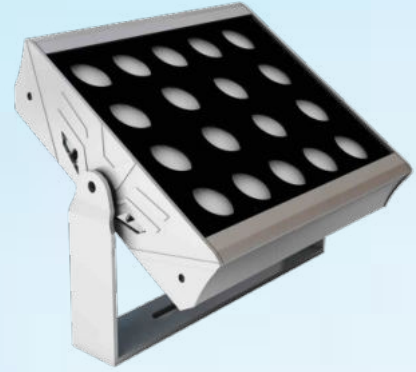
Glass  
Glass  
payment

## 143 Transformers 24 beads (oblique mouth)

Shell Material:	Aluminum Alloy
Aluminum substrate size:	110*160mm
Single color high voltage 3030 light board:	24*1W (12 in series and 2 in parallel)
Single color low voltage 3030 light board:	24*1W (3 series and 8 parallel)
Outer box size (cm)	Oblique mouth without packaging
Profile radiator weight:	0.37KG

## 143 Transformers 24 beads (die-cast plug)

Shell Material:	Aluminum Alloy
Aluminum substrate size:	110*160mm
Single color high voltage 3030 light board:	24*1W (12 in series and 2 in parallel)
Single color low voltage 3030 light board:	24*1W (3 series and 8 parallel)
Outer box size (cm)	57*28*36cm (16 pieces per box)
Profile radiator weight:	0.37KG

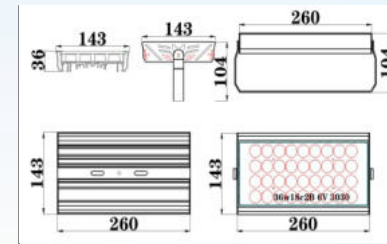


## 143 Transformers 18 beads (flat mouth)

Shell Material:	Aluminum Alloy
Aluminum substrate size:	110*140mm
Single color high voltage 3030 light board:	18*1W (9 in series and 2 in parallel)
Single color low voltage 3030 light board:	18*1W (3 series and 6 parallel)
Outer box size (cm)	57*26*36cm(16 pieces per box)
Profile radiator weight:	0.32KG

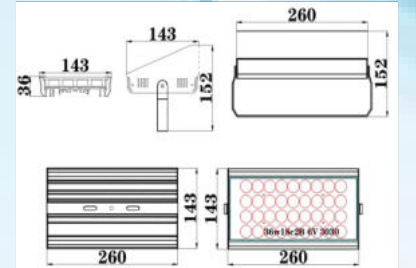
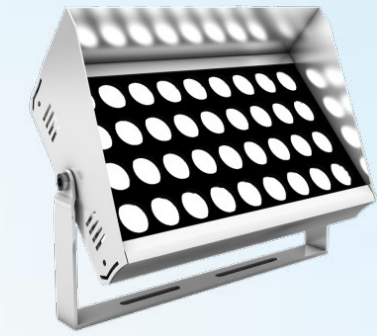
## 143 Transformers 18 beads (oblique mouth)

Shell Material:	Aluminum Alloy
Aluminum substrate size:	110*140mm
Single color high voltage 3030 light board:	18*1W (9 in series and 2 in parallel)
Single color low voltage 3030 light board:	18*1W (3 series and 6 parallel)
Outer box size (cm)	Oblique mouth without packaging
Profile radiator weight:	0.32KG



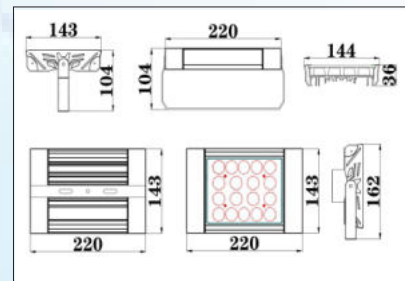
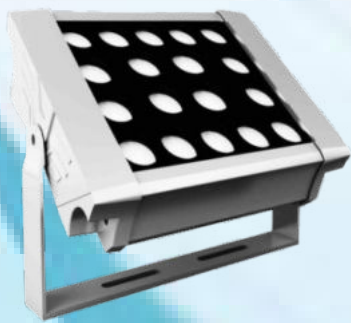
## 143 Transformers 36 beads (flat mouth)

Shell Material:	Aluminum Alloy
Aluminum substrate size:	110*230mm
Single color high voltage 3030 light board:	36*1W (18 in series and 2 in parallel)
Single color low voltage 3030 light board:	36*1W (12 in series and 3 in parallel)
Outer box size (cm)	57*35*36cm (1 box 14)
Profile radiator weight:	0.5KG



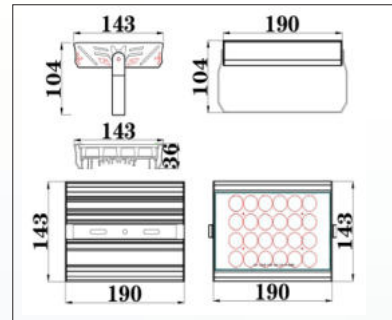
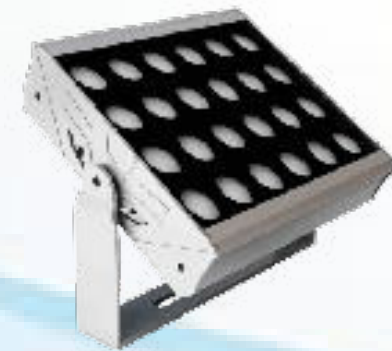
## 143 Transformers 36 beads (oblique mouth)

Shell Material:	Aluminum Alloy
Aluminum substrate size:	110*230mm
Single color high voltage 3030 light board:	36*1W (18 in series and 2 in parallel)
Single color low voltage 3030 light board:	36*1W (12 in series and 3 in parallel)
Outer box size (cm)	Oblique mouth without packaging
Profile heat sink weight:	0.5KG



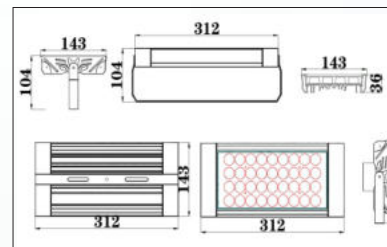
## 143 Transformers 18 beads (die-cast plug)

Shell Material:	Aluminum Alloy
Aluminum substrate size:	110*140mm
Single color high voltage 3030 light board:	18*1W (9 in series and 2 in parallel)
Single color low voltage 3030 light board:	18*1W (3 series and 6 parallel)
Outer box size (cm)	57*26*36cm(1 box 16 pieces)
Profile radiator weight:	0.32KG



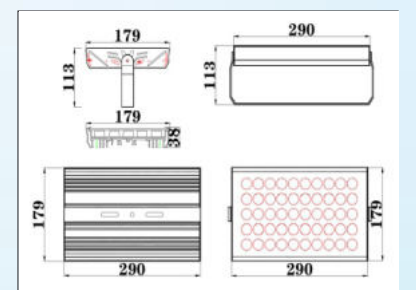
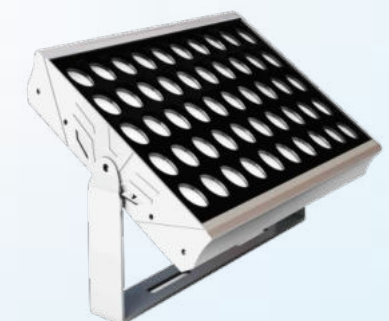
## 143 Transformers 24 beads (flat mouth)

Shell Material:	Aluminum Alloy
Aluminum substrate size:	110*160mm
Single color high voltage 3030 light board:	18*1W (12 in series and 2 in parallel)
Single color low voltage 3030 light board:	18*1W (3 series and 8 parallel)
Outer box size (cm)	57*28*36cm (16 pieces per box)
Profile radiator weight:	0.37KG



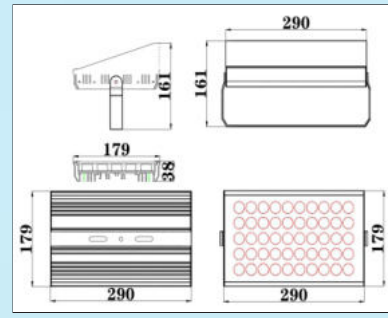
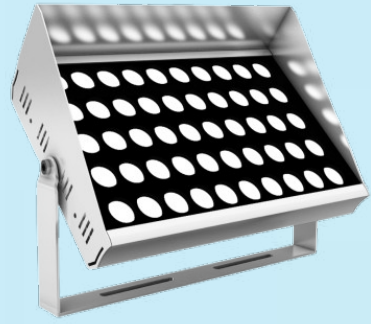
## 143 Transformers 36 beads (die-cast plug)

Shell Material:	Aluminum Alloy
Aluminum substrate size:	110*230mm
Single color high voltage 3030 light board:	36*1W (18 in series and 2 in parallel)
Single color low voltage 3030 light board:	36*1W (12 in series and 3 in parallel)
Outer box size (cm)	57*35*36cm (14 pieces per box)
Profile radiator weight:	0.8KG



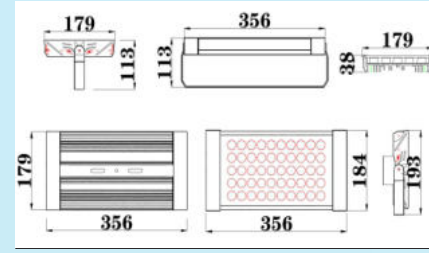
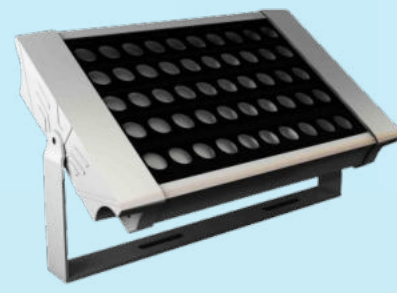
## 178 Transformers 50 beads (flat mouth)

Shell Material:	Aluminum Alloy
Aluminum substrate size:	156*270mm
Single color high voltage 3030 light board:	50*1W (5 in series and 10 in parallel)
Single color low voltage 3030 light board:	50*1W (3 in 17 and)
Outer box size (cm)	57*39.5*42.5cm (10 pieces per box)
Profile radiator weight:	0.8KG



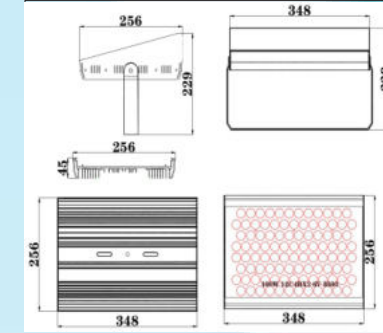
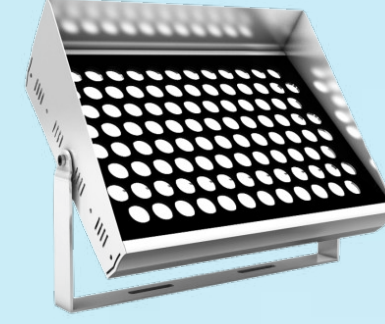
### 178 Transformers 50 beads (oblique mouth)

Shell Material:	Aluminum Alloy
Aluminum substrate size:	156*270mm
Single color high voltage 3030 light board:	50*1W (5 series and 10 parallel)
Single color low voltage 3030 light board:	50*1W (3 strings 17 and)
Outer box size (cm)	Oblique mouth without packaging
Profile radiator weight:	0.8KG



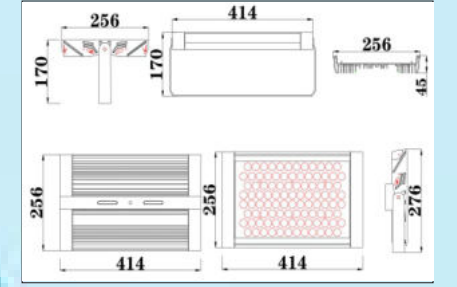
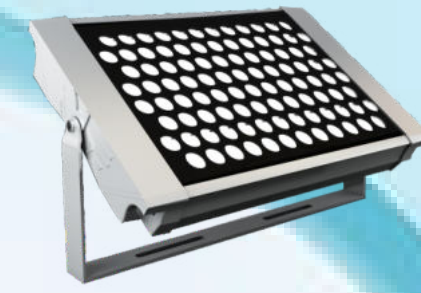
### 178 Transformers 50 beads (die-cast plug)

Shell Material:	Aluminum Alloy
Aluminum substrate size:	156*270mm
Single color high voltage 3030 light board:	50*1W (5 in series and 10 in parallel)
Single color low voltage 3030 light board:	50*1W (3 series and 17 parallel)
Outer box size (cm)	57*39.5*42.5cm (10 pieces per box)
Profile radiator weight:	0.8KG



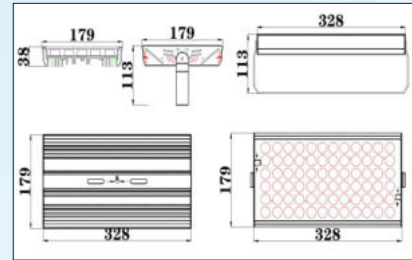
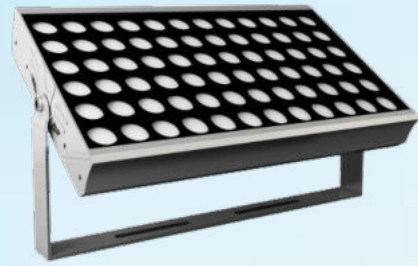
### 256 Transformers 100 beads (oblique mouth)

Shell Material:	Aluminum Alloy
Aluminum substrate size:	202*318mm
Single color high voltage 3030 light board:	100*1W (5 series 10 parallel) *2
Outer box size (cm)	Oblique mouth without packaging
Profile radiator weight:	1.4KG



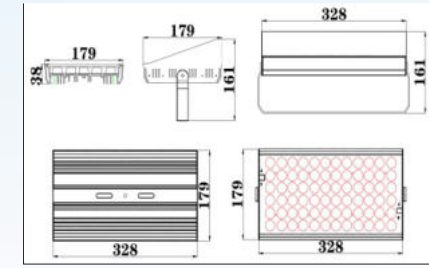
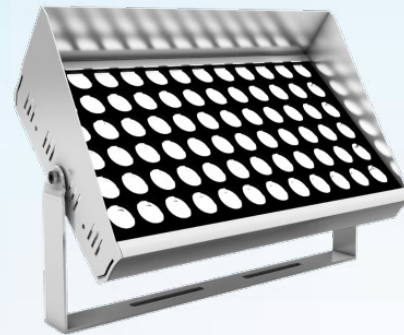
### 256 Transformers 100 beads (die-cast plug)

Shell Material:	Aluminum Alloy
Aluminum substrate size:	202*318mm
Single color high voltage 3030 light board:	100*1W 5 series 12 parallel *2
Outer box size (cm)	60.5*46*29.5cm (8 pieces per box)
Profile radiator weight:	1.4KG



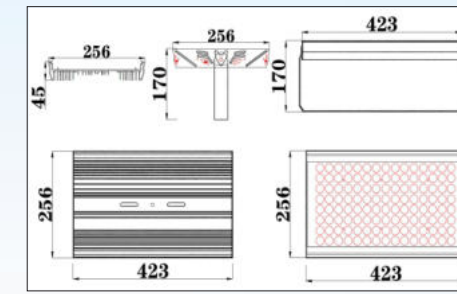
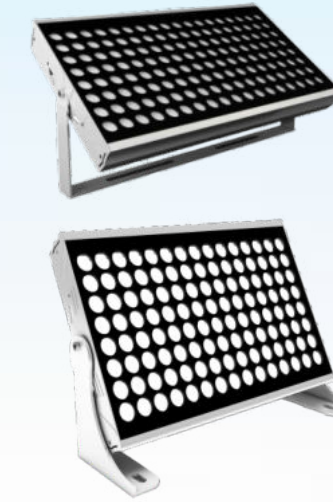
### 178 Transformers 72 beads (flat mouth)

Shell Material:	Aluminum Alloy
Aluminum substrate size:	156*320mm
Single color high voltage 3030 light board:	72*1W (2 series 18 parallel)
Outer box size (cm)	60.5*45*22cm (8 pieces per box)
Profile radiator weight:	1KG



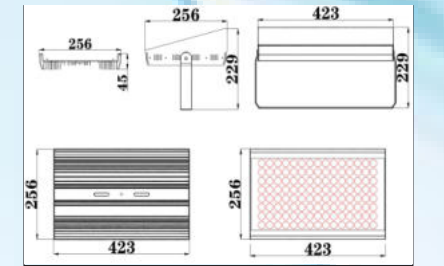
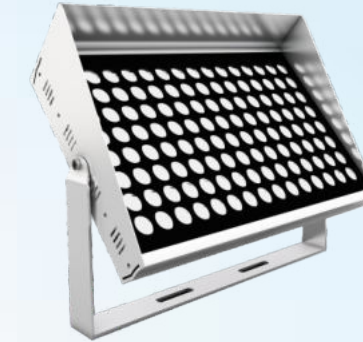
### 178 Transformers 72 beads (oblique mouth)

Shell Material:	Aluminum Alloy
Aluminum substrate size:	156*320mm
Single color high voltage 3030 light board:	72*1W (2 series 18 parallel)
Outer box size (cm)	Oblique mouth without packaging
Profile radiator weight:	1KG



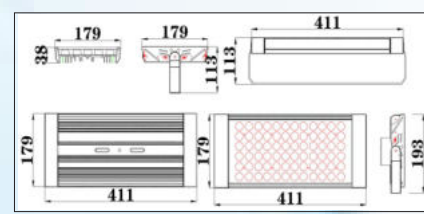
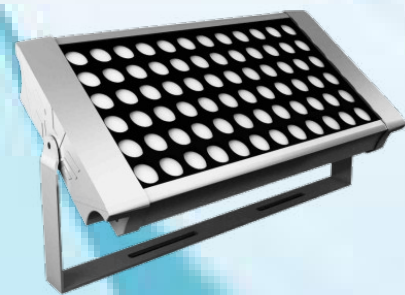
### 256 Transformers 120 beads (flat)

Shell Material:	Aluminum Alloy
Aluminum substrate size:	202*395mm
Single color high voltage 3030 light board:	120*1W (5 series 12 parallel) *2
Outer box size (cm)	53.5*46*29.8cm (6 pieces per box)
Profile radiator weight:	1.7KG



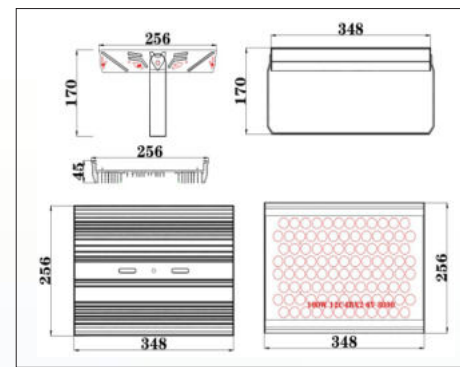
### 256 Transformers 120 beads (oblique mouth)

Shell Material:	Aluminum Alloy
Aluminum substrate size:	202*395mm
Single color high voltage 3030 light board:	120*1W (5 series 12 parallel) *2
Outer box size (cm)	Oblique mouth without packaging
Profile radiator weight:	1.7KG



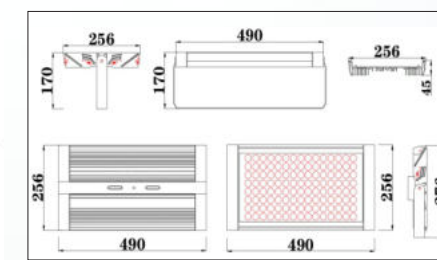
### 178 Transformers 72 beads (die-cast plug)

Shell Material:	Aluminum Alloy
Aluminum substrate size:	156*320mm
Single color high voltage 3030 light board:	72*1W (2 series 18 parallel)
Outer box size (cm)	60.5*45*22cm (8 pieces per box)
Profile radiator weight:	1KG



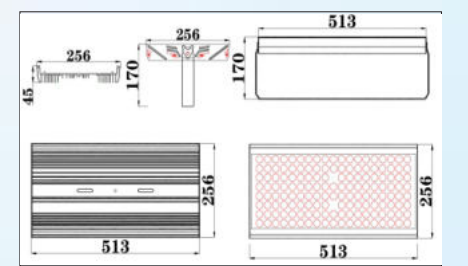
### 256 Transformers 100 beads (flat)

Shell Material:	Aluminum Alloy
Aluminum substrate size:	202*318mm
Single color high voltage 3030 light board:	100*1W (5 in series and 10 in parallel)
Outer box size (cm)	60.5*46*39.5cm (8 pieces per box)
Profile radiator weight:	1.4KG



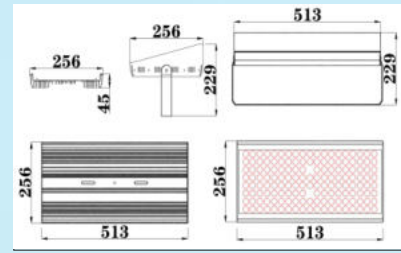
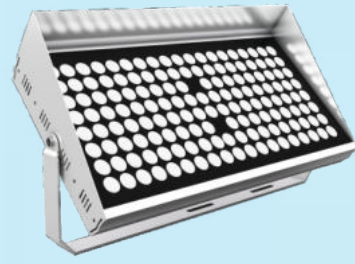
### 256 Transformers 120 beads (die-cast plug)

Shell Material:	Aluminum Alloy
Aluminum substrate size:	202*395mm
Single color high voltage 3030 light board:	120*1W (5 series 12 parallel) *2
Outer box size (cm)	53.5*46*29.8cm (6 pieces per box)
Profile radiator weight:	1.7KG



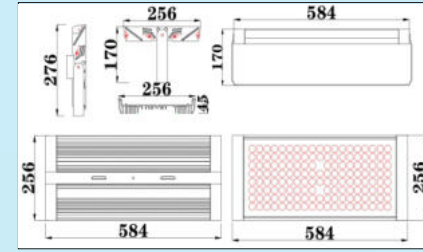
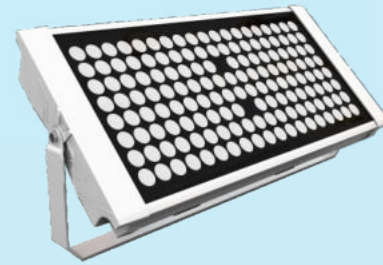
### 256 Transformers 150 beads (flat)

Shell Material:	Aluminum Alloy
Aluminum substrate size:	202*495mm
Single color high voltage 3030 light board:	150*1W (5 series 10 parallel) *2
Outer box size (cm)	60.5*34.5*29.5cm (3 pieces per box)
Profile radiator weight:	2.1KG



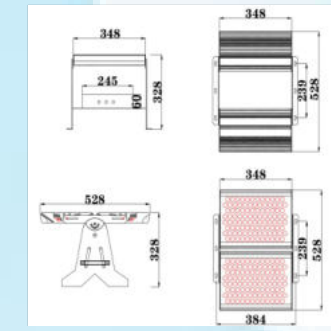
### 256 Transformers 150 beads (oblique mouth)

Shell Material:	Aluminum Alloy
Aluminum substrate size:	202*495mm
Single color high voltage 3030 light board:	150*1W(5 series 10 parallel) *2
Outer box size (cm)	Oblique mouth without packaging
Profile radiator weight:	2. 1KG



### 256 Transformers 150 beads (die-cast plug)

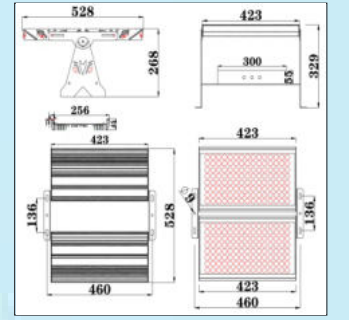
Shell Material:	Aluminum Alloy
Aluminum substrate size:	202*495mm
Single color high voltage 3030 light board:	150*1W(5 series 12 parallel) *2
Outer box size (cm)	60. 5*34. 5*29. 5cm (3 pieces per box)
Profile radiator weight:	2. 1KG



External power box: 120\*50\*260mm

### 256 Transformers 200 beads (flat)

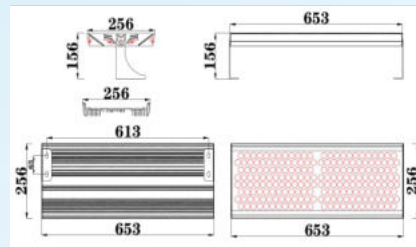
Shell Material:	Aluminum Alloy
Aluminum substrate size:	202*318mm
Single color high voltage 3030 light board:	100*1W(5 series 10 parallel) *2
External power box:	140*50*260mm
Profile radiator weight:	2. 8KG



External power box: 120\*50\*260mm

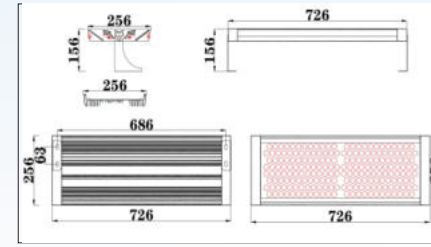
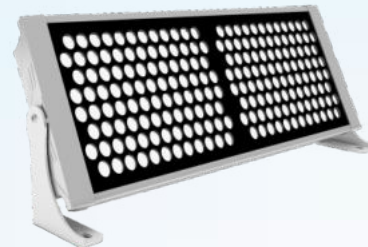
### 256 Transformers 240 beads (flat)

Shell Material:	Aluminum Alloy
Aluminum substrate size:	202*395mm
Single color high voltage 3030 light board:	120*1W(5 series 12 parallel) *2
External power box:	140*50*260mm
Profile radiator weight:	3. 4KG



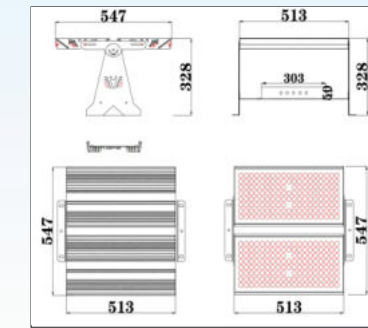
### 256 Transformers 200 beads (flat)

Shell Material:	Aluminum Alloy
Aluminum substrate size:	202*636mm
Single color high voltage 3030 light board:	100*1W(2 series 10 parallel) *2
Outer box size (cm)	
Profile radiator weight:	2. 5KG



### 256 Transformers 200 beads (die-cast plug)

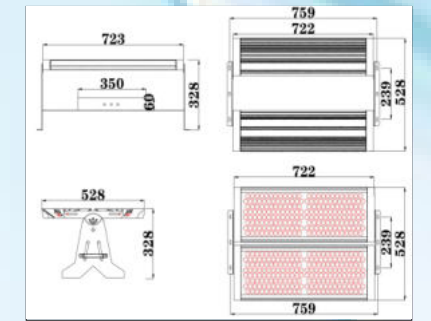
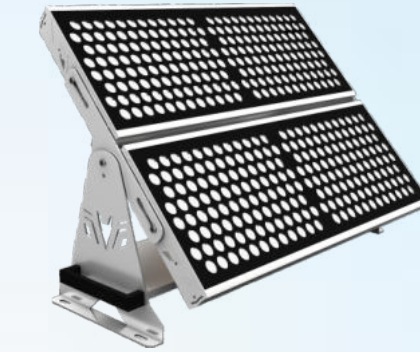
Shell Material:	Aluminum Alloy
Aluminum substrate size:	202*636mm
Single color high voltage 3030 light board:	100*1W(2 series 10 parallel) *2
Outer box size (cm)	
Profile radiator weight:	2. 5KG



External power box: 120\*50\*260mm

### 256 Transformers 300 beads (flat)

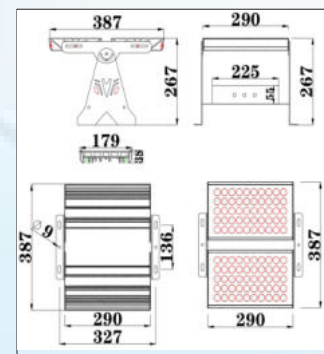
Shell Material:	Aluminum Alloy
Aluminum substrate size:	202*495mm
Single color high voltage 3030 light board:	150*1W (5 in series, 10 in parallel)*3
External power box:	140*50*260mm
Profile radiator weight:	4KG



External power box: 120\*50\*260mm

### 256 Transformers 400 beads (flat)

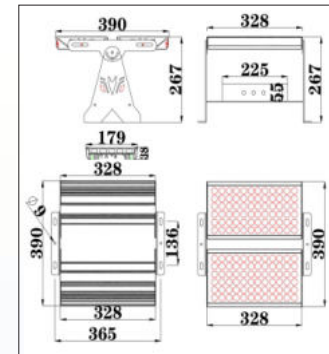
Shell Material:	Aluminum Alloy
Aluminum substrate size:	202*636mm
Single color high voltage 3030 light board:	100*1W(5 series 10 parallel) *2
External power box:	140*50*260mm
Profile radiator weight:	5. 6KG



External power box: 120\*50\*260mm

### 178 Transformers 100 beads (flat)

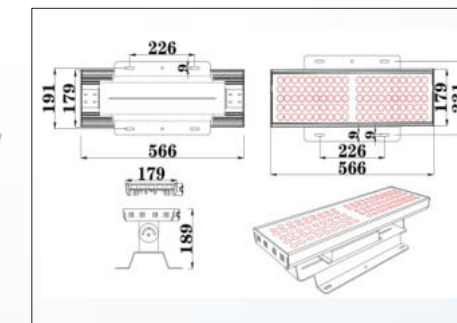
Shell Material:	Aluminum Alloy
Aluminum substrate size:	156*270mm
Single color high voltage 3030 light board:	50*1W(5 in series and 10 in parallel)
External power box:	120*50*260mm
Profile radiator weight:	1. 8KG



External power box: 120\*50\*260mm

### 178 Transformers 144 beads (flat mouth)

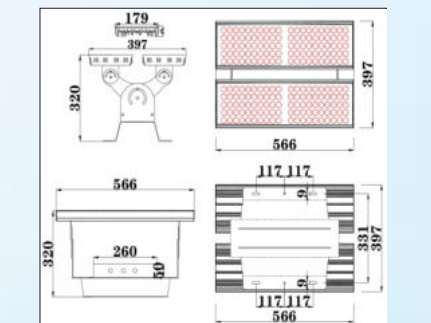
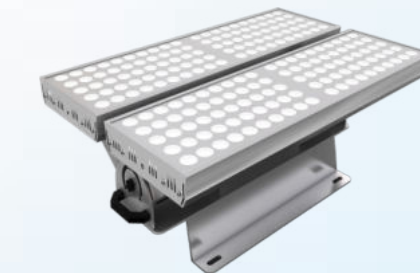
Shell Material:	Aluminum Alloy
Aluminum substrate size:	156*320mm
Single color high voltage 3030 light board:	72*1W(5 series and 18 parallel)
External power box:	140*50*260mm
Profile radiator weight:	2KG



External power box: 120\*50\*260mm

### 178 Transformers 100 beads (flat)

Shell Material:	Aluminum Alloy
Aluminum substrate size:	202*636mm
Single color high voltage 3030 light board:	100*1W(5 series 10 parallel)*2X2
External power box:	
Profile radiator weight:	4KG



External power box: 120\*50\*260mm

### 178 Transformers 200 beads (flat)

Shell Material:	Aluminum Alloy
Aluminum substrate size:	202*636mm
Single color high voltage 3030 light board:	100*1W(5 series 10 parallel)*2X2
External power box:	
Profile radiator weight:	4KG

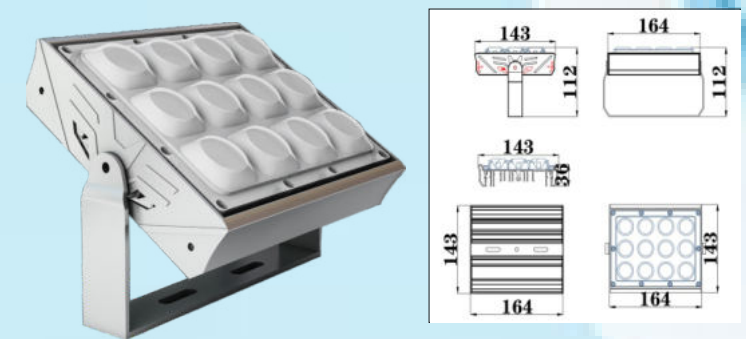


# Transformers

one system List

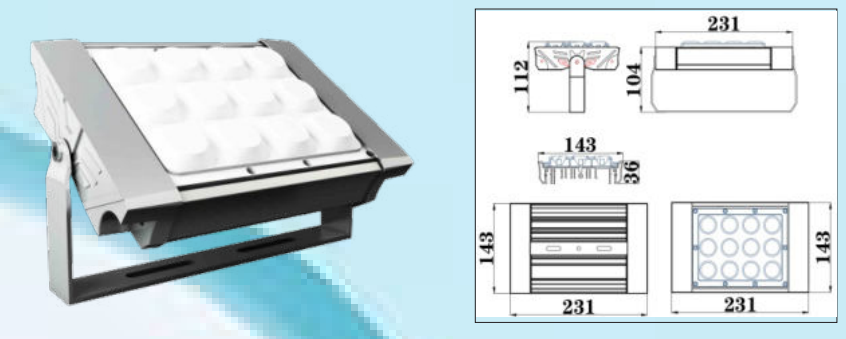
body through mirror payment

Transformers series (integrated lens version)



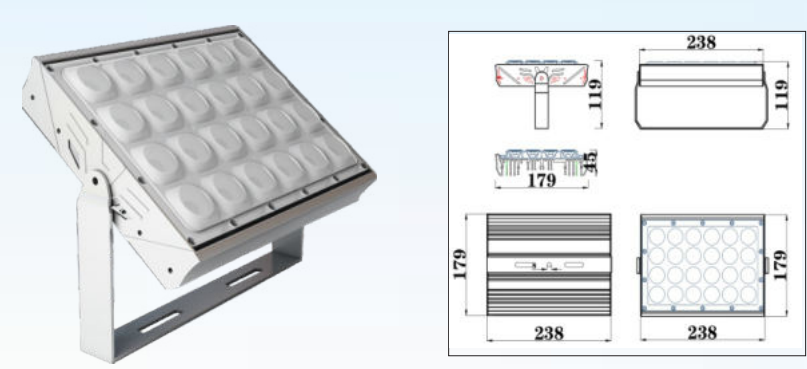
## 143 Transformers 12 beads (die-cast plug)

Shell Material:	Aluminum Alloy
Aluminum substrate size:	132*96mm
Single color high voltage 3030 light board:	12*2W (6 in series and 2 in parallel)
Outer box size (cm)	57*26*36cm (16 pieces per box)
Profile radiator weight:	0.4KG



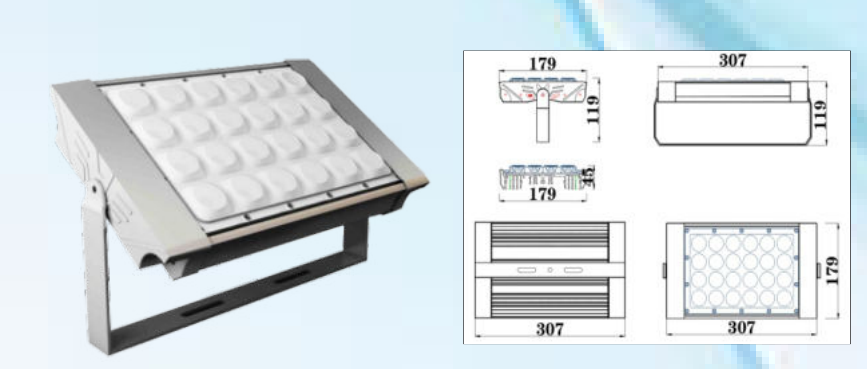
## 143 Transformers 12 beads (die-cast plug)

Shell Material:	Aluminum Alloy
Aluminum substrate size:	92*128mm
Single color high voltage 3030 light board:	12*2W (6 in series and 2 in parallel)
Outer box size (cm)	
Weight of profile diffuser:	0.4KG



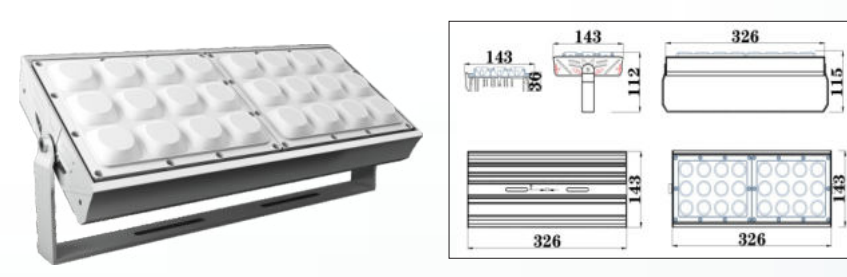
## 178 Transformers 24 beads

Shell Material:	Aluminum Alloy
Aluminum substrate size:	127*200mm
Single color high voltage 3030 light board:	24*2W (12 in series and 2 in parallel)
Outer box size (cm)	
Profile radiator weight:	0.8KG



## 178 Transformers 24-bead die-cast plug

Shell Material:	Aluminum Alloy
Aluminum substrate size:	127*200mm
Single color high voltage 3030 light board:	24*2W (12 in series and 2 in parallel)
Outer box size (cm)	
Profile radiator weight:	0.8KG



## 143 Transformers 24-bead die-cast plug

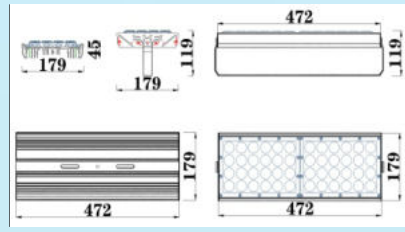
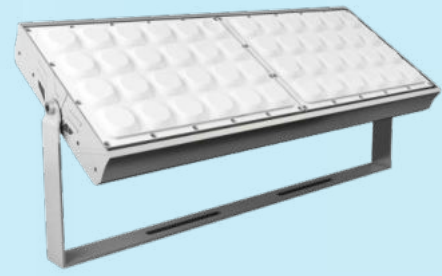
Shell Material:	Aluminum Alloy
Aluminum substrate size:	92*128mm
Single color high voltage 3030 light board:	12*2W (6 in series and 2 in parallel)
Outer box size (cm)	
Profile radiator weight:	0.8KG



## 143 Transformers 24 beads (die-cast plug)

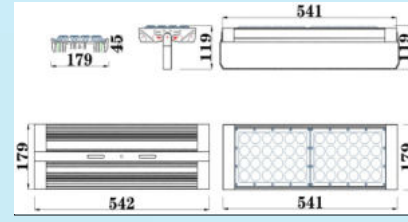
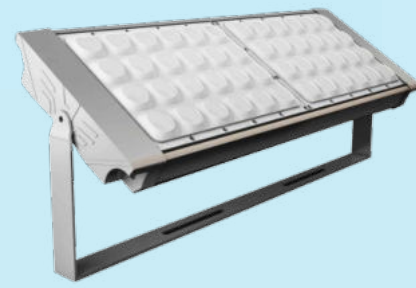
Shell Material:	Aluminum Alloy
Aluminum substrate size:	92*128mm
Single color high voltage 3030 light board:	12*2W (6 in series and 2 in parallel)
Outer box size (cm)	
Profile radiator weight:	0.8KG





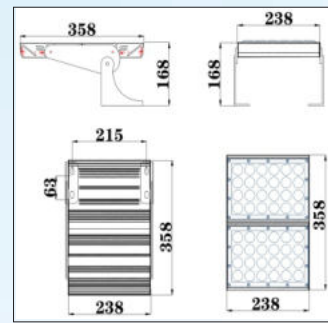
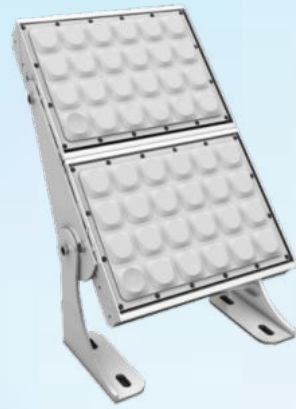
### 178 Transformers 48 beads

Shell Material:	Aluminum Alloy
Aluminum substrate size:	127*200mm
Single color high voltage 3030 light board:	24*2W (12 in series and 2 in parallel)
Outer box size (cm)	
Profile radiator weight:	1.6KG



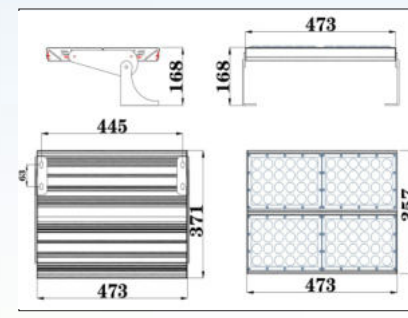
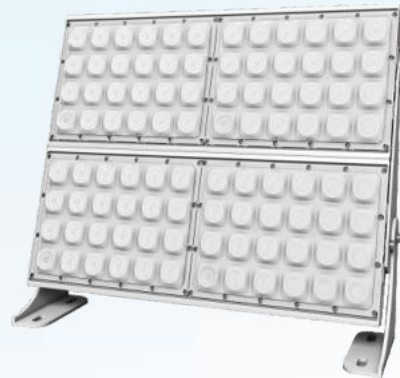
### 178 Transformers 48-bead die-cast plug

Shell Material:	Aluminum Alloy
Aluminum substrate size:	127*200mm
Single color high voltage 3030 light board:	24*2W (6 in series and 2 in parallel)
Outer box size (cm)	
Profile radiator weight:	1.6KG



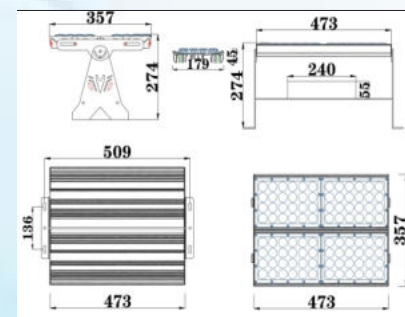
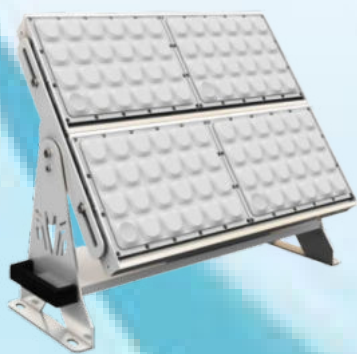
### 178 Transformers 48 beads

Shell Material:	Aluminum Alloy
Aluminum substrate size:	127*200mm
Single color high voltage 3030 light board:	24*2W (12 in series and 2 in parallel)
Outer box size (cm)	
Profile radiator weight:	1.6KG



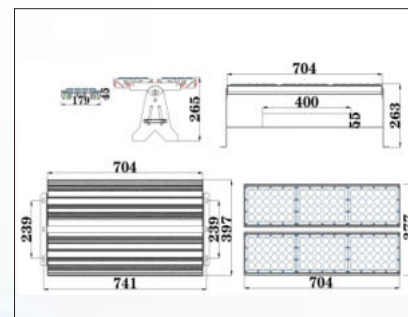
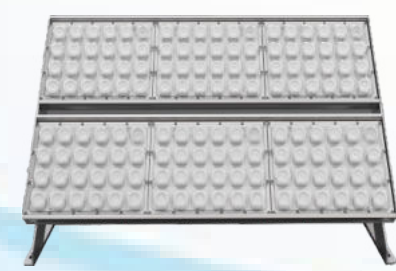
### 178 Transformers 96 beads

Shell Material:	Aluminum Alloy
Aluminum substrate size:	127*200mm
Single color high voltage 3030 light board:	24*2W (12 in series and 2 in parallel)
Outer box size (cm)	
Profile radiator weight:	3.2KG



### 178 Transformers 96 beads

Shell Material:	Aluminum Alloy
Aluminum substrate size:	127*200mm
Single color high voltage 3030 light board:	24*2W (12 in series and 2 in parallel)
Outer box size (cm)	
Profile radiator weight:	3.2KG



### 178 Transformers 96 beads

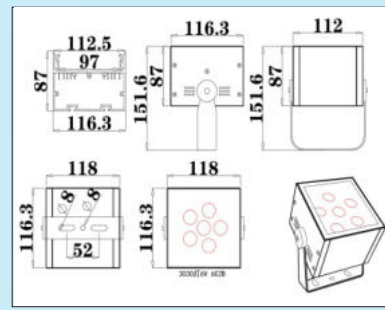
Shell Material:	Aluminum Alloy
Aluminum substrate size:	127*200mm
Single color high voltage 3030 light board:	24*2W (12 in series and 2 in parallel)
Outer box size (cm)	
Profile radiator weight:	3.2KG

# Galaxy

Galaxy Series (Small)

system List **Small Number**

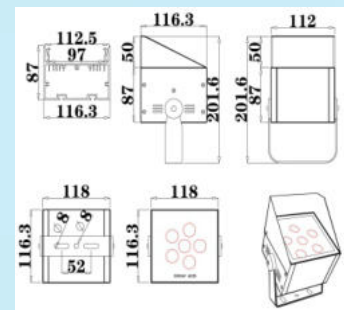
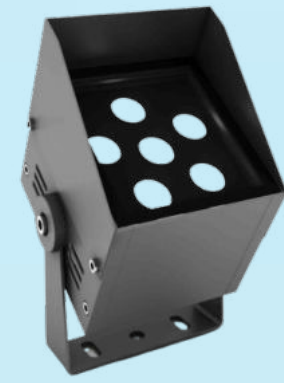




Built-in power box: 98\*37\*100mm

## 116 Small Galaxy 6 Beads (Flat Mouth)

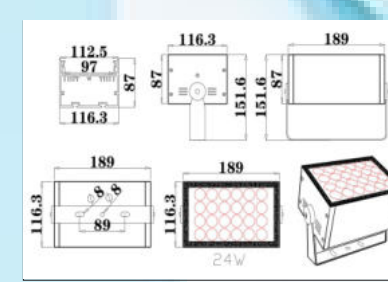
Shell Material:	Aluminum Alloy
Aluminum substrate size:	86*92mm
Single color high voltage 3030 light board:	6*1W (6 series and 2 parallel)
Single color high voltage 3030 light board:	9*1W (9 series and 1 parallel)
Single color high voltage 3535 light board:	4*3W XPE (4 series and 1 parallel)
Outer box size (cm)	57*26*36cm (20 pieces per box)
Profile radiator weight:	0.37KG



Built-in power box: 98\*37\*100mm

## 116 Small Galaxy 6 Beads (Oblique)

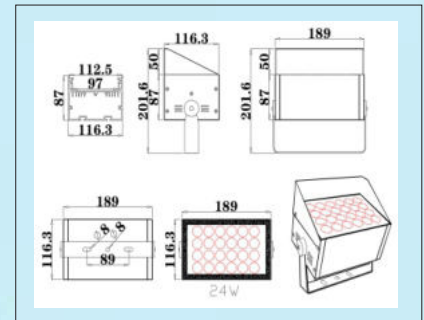
Shell Material:	Aluminum Alloy
Aluminum substrate size:	86*92mm
Single color high voltage 3030 light board:	6*1W (6 series and 2 parallel)
Single color high voltage 3030 light board:	9*1W (9 series and 1 parallel)
Single color high voltage 3535 light board:	4*3W XPE (4 series and 1 parallel)
Outer box size (cm)	57*26*36cm (20 pieces per box)
Profile radiator weight:	0.37KG



Built-in power box: 98\*37\*170mm

## 116 Small Galaxy 24 beads (flat mouth)

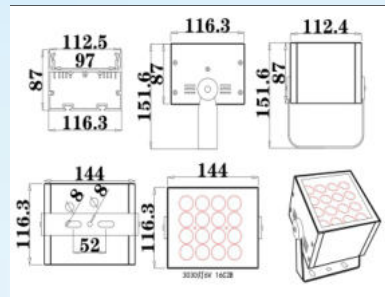
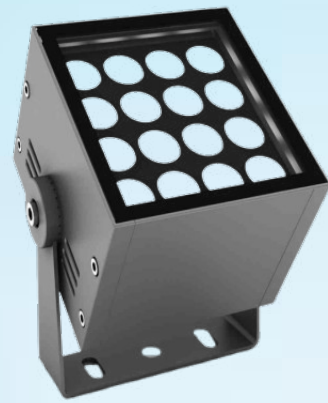
Shell Material:	Aluminum Alloy
Aluminum substrate size:	96*150mm
Single color high voltage 3030 light board:	24*1W (12 in series and 2 in parallel)
Single color low voltage 3030 light board:	24*1W (8 series and 3 parallel)
Single color high voltage 3535 light board:	8*3W (8 series and 1 parallel)
Outer box size (cm)	57*28*36cm (15 pieces per box)
Profile radiator weight:	0.6KG



Built-in power box: 98\*37\*170mm

## 116 Small Galaxy 24 Beads (Oblique)

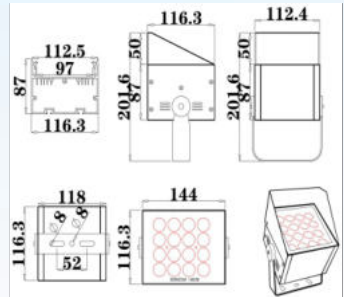
Shell Material:	Aluminum Alloy
Aluminum substrate size:	96*150mm
Single color high voltage 3030 light board:	24*1W (12 in series and 2 in parallel)
Single color high and low 3030 light board:	24*1W (8 series and 3 parallel)
Single color high voltage 3535 light board:	8*3W (8 series and 1 parallel)
Outer box size (cm)	Oblique mouth without packaging
Profile radiator weight:	0.6KG



Built-in power box: 98\*37\*120mm

## 116 Small Galaxy 16 Beads (Flat Mouth)

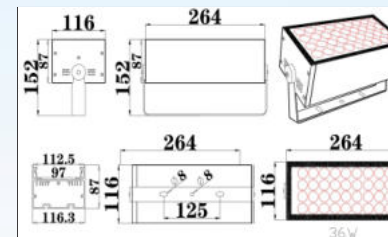
Shell Material:	Aluminum Alloy
Aluminum substrate size:	96*122mm
Single color high voltage 3030 light board:	16*1W (16 in series and 2 in parallel)
Outer box size (cm)	44*42*31cm (16 pieces per box)
Profile radiator weight:	0.4KG



Built-in power box: 98\*37\*120mm

## 116 Small Galaxy 16 Beads (Oblique Mouth)

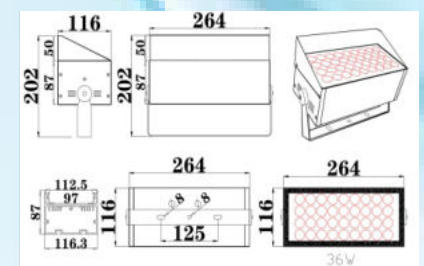
Shell Material:	Aluminum Alloy
Aluminum substrate size:	96*122mm
Single color high voltage 3030 light board:	16*1W (16 in series and 2 in parallel)
Outer box size (cm)	Oblique mouth without packaging
Profile radiator weight:	0.4KG



Built-in power box: 98\*37\*245mm

## 116 Small Galaxy 36 Beads (Flat Mouth)

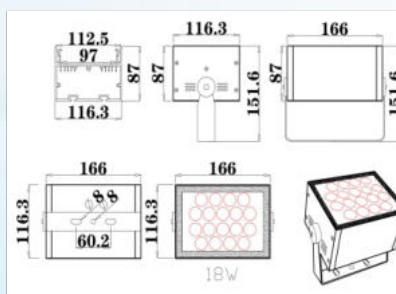
Shell Material:	Aluminum Alloy
Aluminum substrate size:	96*220mm
Single color high voltage 3030 light board:	36*1W (18 series and 2 parallel)
Single color low voltage 3030 light board:	36 * 1W (12 series and 3 parallel)
Single color high voltage 3535 light board:	12*3W (6 series and 2 parallel)
Outer box size (cm)	55*31.2*31cm (1 box of 10)
Profile radiator weight:	0.9KG



Built-in power box: 98\*37\*245mm

## Built-in power box: 98\*37\*245m

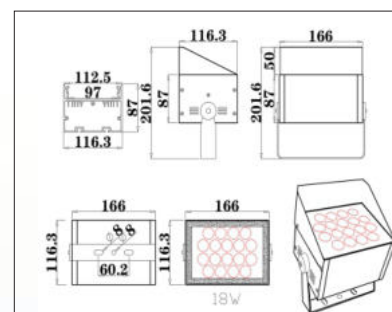
Shell Material:	Aluminum Alloy
Aluminum substrate size:	96*220mm
Single color high voltage 3030 light board:	36*1W (18 series and 2 parallel)
Single color low voltage 3030 light board:	36 * 1W (12 series and 3 parallel)
Single color high voltage 3535 light board:	12*3W (6 series and 1 parallel)
Outer box size (cm)	55*31.2*31cm (10 pieces per box)
Profile radiator weight:	0.9KG



Built-in power box: 98\*37\*145mm

## 116 Small Galaxy 18 beads (flat mouth)

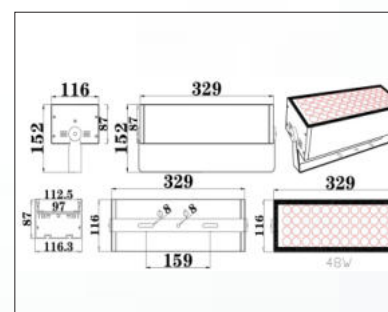
Shell Material:	Aluminum Alloy
Aluminum substrate size:	96*126mm
Single color high voltage 3030 light board:	18*1W (9 series and 2 parallel)
Single color low voltage 3030 light board:	18*1W (3 series and 6 parallel)
Single color high voltage 3535 light board:	6*3W XPE (6 series and 1 parallel)
Outer box size (cm)	44*42*31cm (16 pieces per box)
Profile radiator weight:	0.5KG



Built-in power box: 98\*37\*145mm

## 116 Small Galaxy 18 Beads (Oblique Mouth)

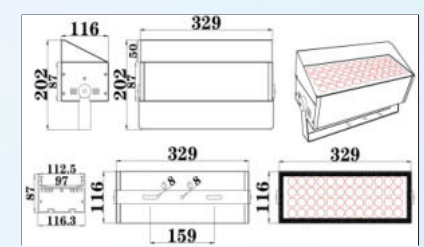
Shell Material:	Aluminum Alloy
Aluminum substrate size:	96*126mm
Single color high voltage 3030 light board:	18*1W (9 series and 2 parallel)
Single color high and low 3030 light board:	18*1W (3 series and 6 parallel)
Single color high voltage 3535 light board:	6*3W X PE (6 series and 1 parallel)
Outer box size (cm)	Oblique mouth without packaging
Profile radiator weight:	0.5KG



Built-in power box: 98\*37\*310mm

## 116 Small Galaxy 48 beads (flat mouth)

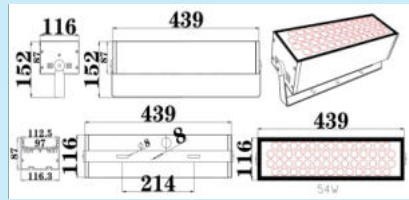
Shell material:	Aluminum Alloy
Aluminum substrate size:	96*290mm
Single color high voltage 3030 light board:	
Single color low voltage 3030 light board:	48 * 1W (16 series and 3 parallel)
Single color high voltage 3535 light board:	16*3W (8 series and 2 parallel)
Outer box size (cm)	44*37.7*31cm (1 box of 8)
Profile radiator weight:	1.2KG



Built-in power box: 98\*37\*310mm

## 116 Small Galaxy 48 beads (oblique mouth)

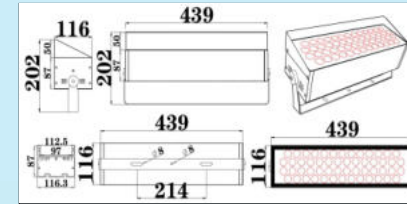
Shell material:	Aluminum Alloy
Aluminum substrate size:	96*290mm
Single color high voltage 3030 light board:	48 * 1W (12 series and 4 parallel)
Single color low voltage 3030 light board:	48 * 1W (16 series and 3 parallel)
Single color high voltage 3535 light board:	16*3W (8 series and 2 parallel)
Outer box size (cm)	44*37.7*31cm (1 box of 8)
Profile radiator weight:	1.2KG



Built-in power box: 98\*37\*470mm

### 116 Small Galaxy 54 Beads (Flat Mouth)

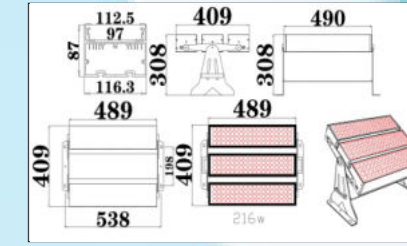
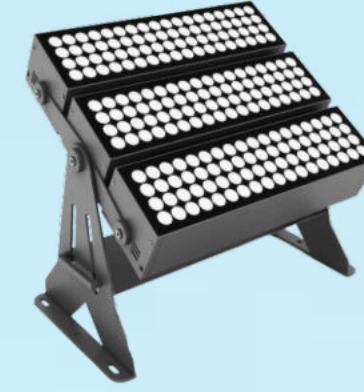
Shell Material:	Aluminum Alloy
Aluminum substrate size:	96*400mm
Single color high voltage 3030 light board:	54*1W (12 in series and 2 in parallel)
Single color high voltage 3535 light board:	18*3W (2 series 9 parallel)
Outer box size (cm)	49*33.5*31cm (1 box of 6)
Profile radiator weight:	1.5KG



Built-in power box: 98\*37\*470mm

### 116 Small Galaxy 54 Beads (Oblique)

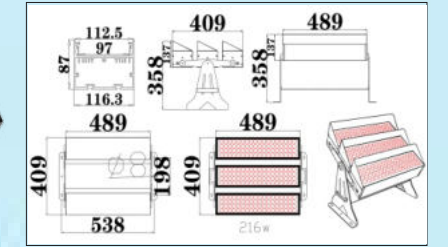
Shell material:	Aluminum Alloy
Aluminum substrate size:	96*400mm
Single color high voltage 3030 light board:	54*1W (12 in series and 2 in parallel)
Single color high voltage 3535 light board:	18*3W (2 series 9 parallel)
Outer box size (cm)	49*33.5*31cm (1 box of 6)
Profile radiator weight:	1.5KG



Built-in power box: 98\*37\*470mm

### 116 small Galaxy 216 beads (flat mouth)

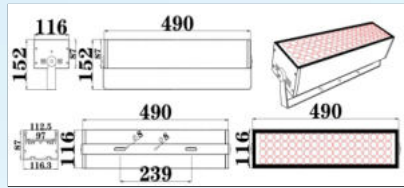
Shell Material:	Aluminum Alloy
Aluminum substrate size:	96*450mm
Single color high voltage 3030 light board:	72*1W (18 series and 2 parallel)
Outer box size (cm)	
Profile radiator weight:	3.6KG



Built-in power box: 98\*37\*470mm

### 116 small Galaxy 216 beads (oblique mouth)

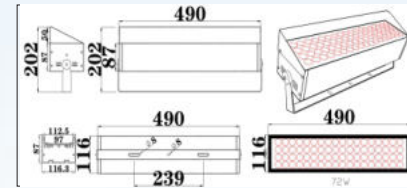
Shell Material:	Aluminum Alloy
Aluminum substrate size:	96*450mm
Single color high voltage 3030 light board:	72*1W (18 series and 2 parallel)
Outer box size (cm)	
Profile radiator weight:	3.6KG



Built-in power box: 98\*37\*470mm

### 116 Small Galaxy 72 Beads (Flat Mouth)

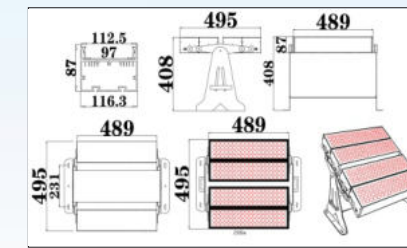
Shell Material:	Aluminum Alloy
Aluminum substrate size:	96*450mm
Single color high voltage 3030 light board:	72*1W (18 series and 2 parallel)
Outer box size (cm)	53.5*33.5*31cm (1 box of 6)
Profile radiator weight:	1.8KG



Built-in power box: 98\*37\*470mm

### 116 Small Galaxy 72 Beads (Oblique)

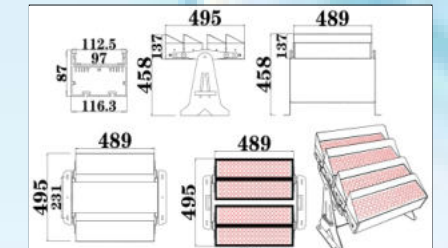
Shell Material:	Aluminum Alloy
Aluminum substrate size:	96*450mm
Single color high voltage 3030 light board:	72*1W (18 series and 2 parallel)
Outer box size (cm)	53.5*33.5*31cm (1 box of 6)
Profile radiator weight:	1.8KG



Built-in power box: 98\*37\*470mm

### 116 small Galaxy 288 beads (oblique mouth)

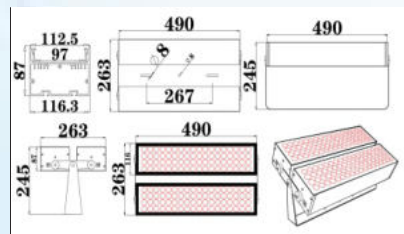
Shell Material:	Aluminum Alloy
Aluminum substrate size:	96*450mm
Single color high voltage 3030 light board:	72*1W (18 series and 2 parallel)
Outer box size (cm)	
Profile radiator weight:	3.6KG



Built-in power box: 98\*37\*470mm

### 116 small Galaxy 288 beads (oblique mouth)

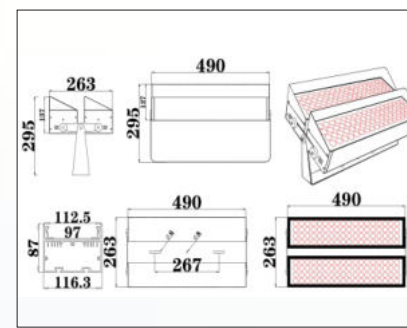
Shell Material:	Aluminum Alloy
Aluminum substrate size:	96*450mm
Single color high voltage 3030 light board:	72*1W (18 series and 2 parallel)
Outer box size (cm)	
Profile radiator weight:	3.6KG



Built-in power box: 98\*37\*470mm

### 116 Small Galaxy 144 Beads (Flat Mouth)

Shell Material:	Aluminum Alloy
Aluminum substrate size:	96*450mm
Single color high voltage 3030 light board:	72*1W (18 series and 2 parallel)
Outer box size (cm)	
Profile radiator weight:	3.6KG



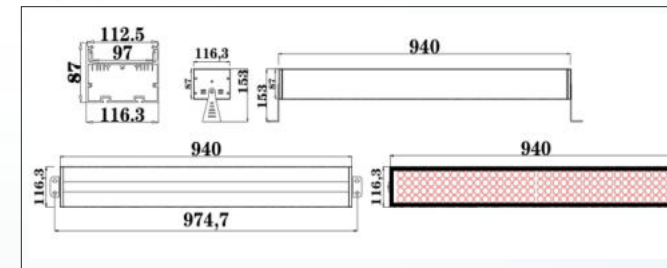
Built-in power box: 98\*37\*470mm

### 116 small Galaxy 144 beads (oblique mouth)

Shell Material:	Aluminum Alloy
Aluminum substrate size:	96*450mm
Single color high voltage 3030 light board:	72*1W (18 series and 2 parallel)
Outer box size (cm)	
Profile radiator weight:	3.6KG

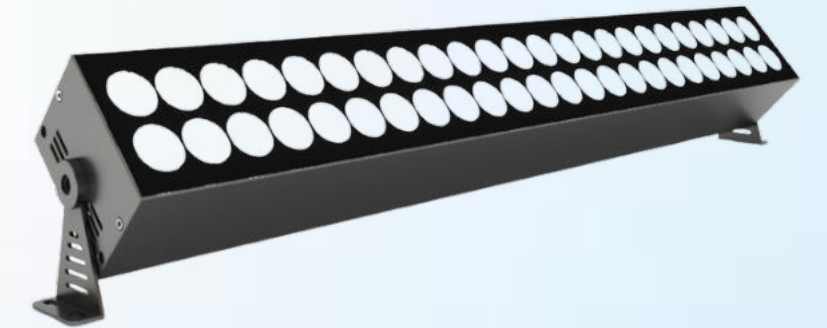


Built-in power box: 98\*37\*940mm



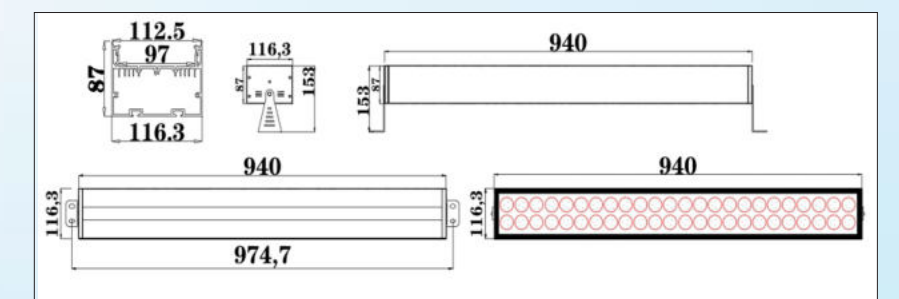
### 116 Small Galaxy 144 Beads (Flat Mouth)

Shell Material:	Aluminum Alloy
Aluminum substrate size:	96*920mm
Single color high voltage 3030 light board:	72*1W (18 series and 2 parallel)
Outer box size (cm)	
Profile radiator weight:	7.2KG



Built-in power box: 98\*37\*940mm

### 116 Small Galaxy 144 Beads (Flat Mouth)

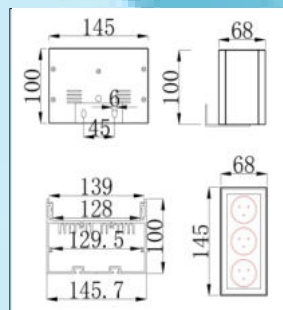


# Galaxy

Galaxy Series (Large)

system List

Big Number

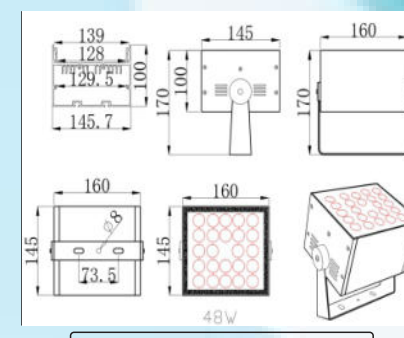


Built-in power box: 129\*44\*50mm



## 145 Medium Galaxy 384 Beads (Oblique)

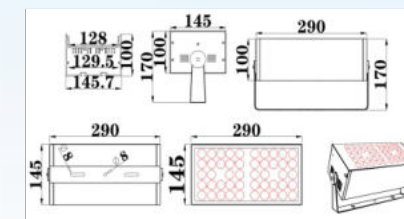
Shell Material:	Aluminum Alloy
Aluminum substrate size:	127*46mm
Profile radiator weight:	0.25KG
External power box:	129*44*50mm



Built-in power box: 129\*44\*130mm

## 145 Medium Galaxy 24 beads (flat mouth)

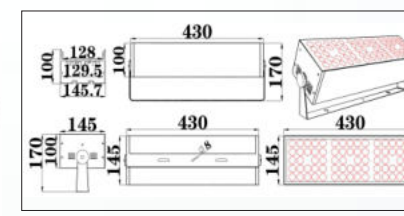
Shell Material:	Aluminum Alloy
Aluminum substrate size:	127*135mm
Single color low voltage 3030 light board:	18*1W (9 series and 2 parallel) 24*1 (3 series and 8 parallel)
Single color high voltage 3535 light board:	24*1W (12 series, 2 parallel) 18*1.5W XPE (3 series and 6 parallel)
Single color high voltage 3535 light board:	9*2W XPe (9 series and 1 parallel)
RG B R G BW 3 535 light board:	18*2W (6 series and 8 parallel) 24*2W (6 in series and 4 in parallel)
Outer box size (cm)	56.5*20.5*38.5cm (10 pcs per box)
Profile radiator weight:	0.7KG



Built-in power box: 129\*44\*270mm

## 145 Medium Galaxy 48 Beads (Flat Mouth)

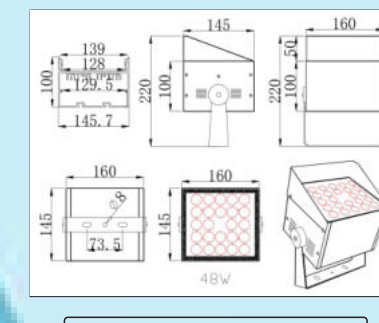
Shell Material:	Aluminum Alloy
Aluminum base plate size: (two pieces spliced together)	127*270mm
Single color low voltage 3030 light board:	18 * 1W (9 series and 2 parallel) 24 * 1W (3 series and 8 parallel)
Single color high voltage 3535 light board:	24 * 1W (12 series and 2 parallel) 18 * 1.5W X PE (3 series and 6 parallel)
Single color high voltage 3535 light board:	9*2W X PE (9 series and 1 parallel)
RG B R G BW 3 535 light board:	18 * 2W (6 series and 8 parallel) 24 * 1W (6 series and 4 parallel)
Outer box size (cm)	45.5*34*38.5cm (1 box of 8)
Profile radiator weight:	1.5KG



Built-in power box: 129\*44\*410mm

## 145 Medium Galaxy 144 Beads (Flat Mouth)

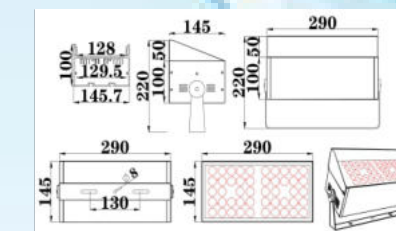
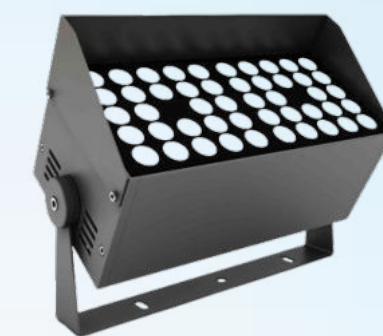
Shell Material:	Aluminum Alloy
Aluminum base plate size: (three pieces spliced together)	127*405mm
Single color low voltage 3030 light board:	18 * 1W (9 series and 2 parallel) 24 * 1W (3 series and 8 parallel)
Single color high voltage 3535 light board:	24 * 1W (12 series and 2 parallel) 18 * 1.5W X PE (3 series and 6 parallel)
Single color high voltage 3535 light board:	9*2W X PE (9 series and 1 parallel)
RG B R G BW 3535 light board:	18 * 2W (6 series and 8 parallel) 24 * 1W (6 series and 4 parallel)
Outer box size (cm)	45.5*34*38.5cm (1 box of 6)
Profile radiator weight:	3.2KG



Built-in power box: 129\*44\*130mm

## 145 Medium Galaxy 24 Beads (Oblique Mouth)

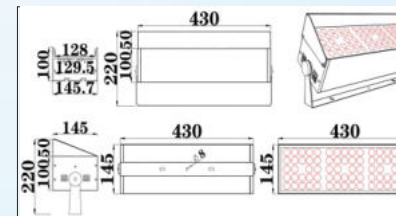
Shell Material:	Aluminum Alloy
Aluminum substrate size:	127*135mm
Single color low voltage 3030 light board:	18*1W (9 series and 2 parallel) 24*1 (3 series and 8 parallel)
Single color high voltage 3535 light board:	24*1W 12 series, 2 parallel) 18*1.5W XPE (3 series and 6 parallel)
Single color high voltage 3535 light board:	9*2W X PE (9 series and 1 parallel)
RG B R G BW 3 535 light board:	18 * 2W (6 series and 8 parallel) 24 * 1W (6 series and 4 parallel)
Outer box size (cm)	56.5*20.5*38.5cm (1 box of 10)
Profile radiator weight:	0.7KG



Built-in power box: 129\*44\*270mm

## 145 Medium Galaxy 48 beads (oblique mouth)

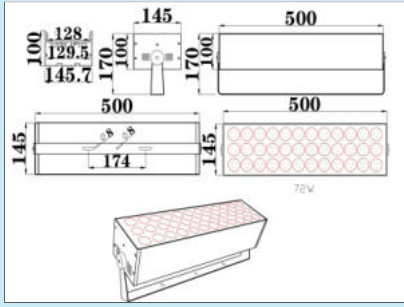
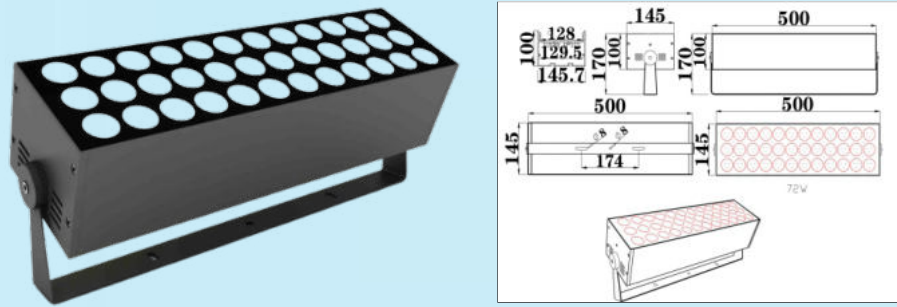
Shell Material:	Aluminum Alloy
Aluminum base plate size: (two pieces spliced together)	127*270mm
Single color low voltage 3030 light board:	18 * 1W (9 series and 2 parallel) 24 * 1W (3 series and 8 parallel)
Single color high voltage 3535 light board:	24 * 1W (12 series and 2 parallel) 18 * 1.5W X PE (9 series and 1 parallel)
Single color high voltage 3535 light board:	PE (9 series and 1 parallel)
RG B R G BW 3 535 light board:	18 * 2W (6 series and 8 parallel) 24 * 1W (6 series and 4 parallel)
Outer box size (cm)	45.5*34*38.5cm (1 box of 8)
Profile radiator weight:	1.5KG



Built-in power box: 129\*44\*410mm

## 145 Medium Galaxy 144 Beads (Oblique Mouth)

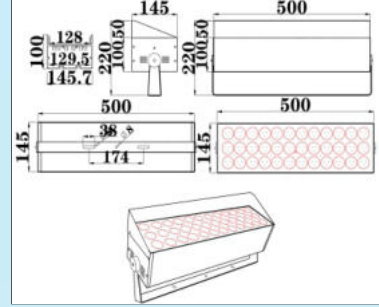
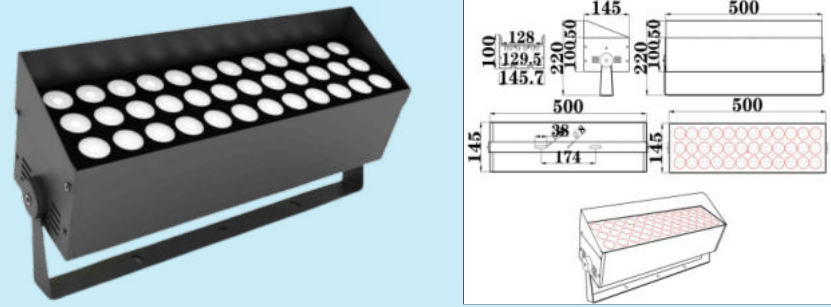
Shell Material:	Aluminum Alloy
Aluminum base plate size: (three pieces spliced together)	127*405mm
Single color low voltage 3030 light board:	18 * 1W (9 series and 2 parallel) 24 * 1W (3 series and 8 parallel)
Single color high voltage 3535 light board:	24 * 1W (12 series and 2 parallel) 18 * 1.5W X PE (9 series and 1 parallel)
Single color high voltage 3535 light board:	PE (9 series and 1 parallel)
RG B R G BW 3535 light board:	18 * 2W (6 series and 8 parallel) 24 * 1W (6 series and 4 parallel)
Outer box size (cm)	45.5*34*38.5cm (1 box of 6)
Profile radiator weight:	3.2KG



Built-in power box: 129\*44\*480mm

### 145 Medium Galaxy 36-bead Large Lens (Flat Mouth)

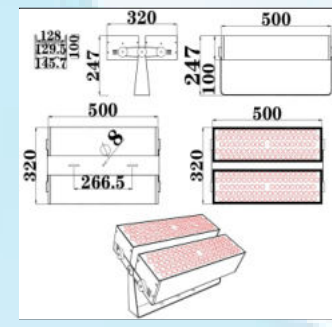
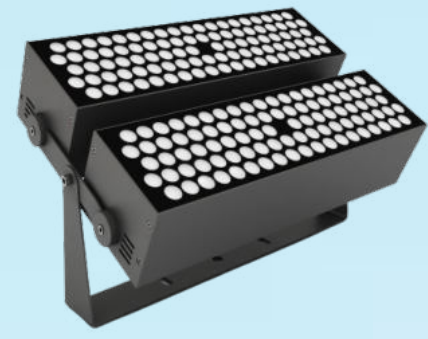
Shell Material:	Aluminum Alloy
Aluminum substrate size:	127*478mm
Single color high voltage 3535 light board:	96 * 2W (8 series and 6 parallel)
Single color low voltage 3535 light board:	36*2W (9 series and 2 parallel)
Outer box size (cm)	45.5*34*38.5cm (1 box of 6)
Profile radiator weight:	3.2KG



Built-in power box: 129\*44\*480mm

### 145 Medium Galaxy 36-bead Large Lens (Oblique)

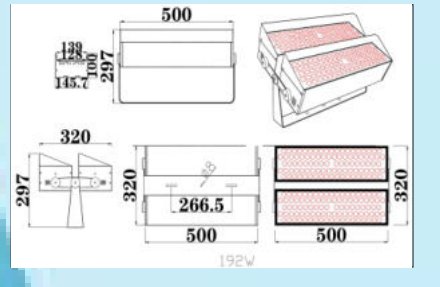
Shell Material:	Aluminum Alloy
Aluminum substrate size:	127*478mm
Single color high voltage 3535 light board:	96 * 2W (8 series and 6 parallel)
Single color low voltage 3535 light board:	36*2W (9 series and 2 parallel)
Outer box size (cm)	45.5*34*38.5cm (1 box of 6)
Profile radiator weight:	3.2KG



Built-in power box: 129\*44\*480mm

### 145 Medium Galaxy 192 beads (flat mouth)

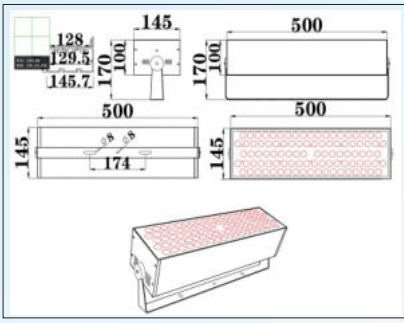
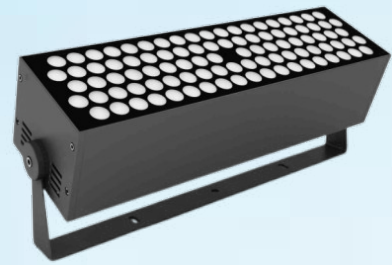
Shell Material:	Aluminum Alloy
Aluminum substrate size:	127*478mm
Single color high voltage 3535 light board:	96 * 2W (8 series and 6 parallel)
Single color low voltage 3535 light board:	36*2W (9 series and 2 parallel)
Outer box size (cm)	
Profile radiator weight:	6.4KG



Built-in power box: 129\*44\*480mm

### 145 Medium Galaxy 192 Beads (Oblique)

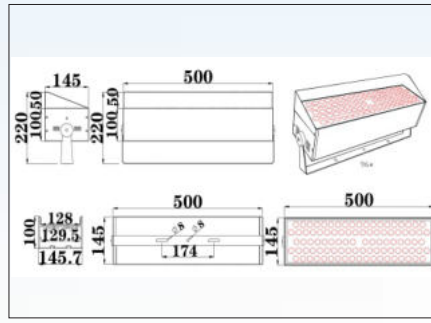
Shell Material:	Aluminum Alloy
Aluminum substrate size:	127*478mm
Single color high voltage 3535 light board:	96 * 2W (8 series and 6 parallel)
Single color low voltage 3535 light board:	36*2W (9 series and 2 parallel)
Outer box size (cm)	
Profile radiator weight:	6.4KG



Built-in power box: 129\*44\*480mm

### 145 Medium Galaxy 96 Beads (Flat Mouth)

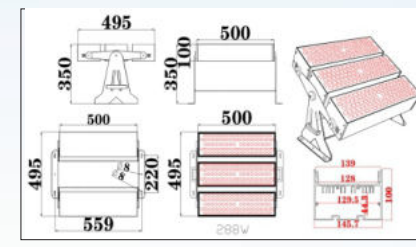
Shell Material:	Aluminum Alloy
Aluminum substrate size:	127*478mm
Single color high voltage 3535 light board:	96 * 2W (8 series and 6 parallel)
Single color low voltage 3535 light board:	36*2W (9 series and 2 parallel)
Outer box size (cm)	45.5*34*38.5cm (1 box of 6)
Profile radiator weight:	3.2KG



Built-in power box: 129\*44\*480mm

### 145 Medium Galaxy 96 Beads (Oblique)

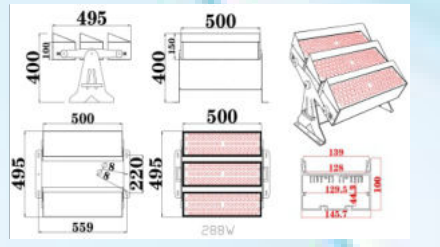
Shell Material:	Aluminum Alloy
Aluminum substrate size:	127*478mm
Single color high voltage 3535 light board:	96 * 2W (8 series and 6 parallel)
Single color low voltage 3535 light board:	36*2W (9 series and 2 parallel)
Outer box size (cm)	45.5*34*38.5cm (1 box of 6)
Profile radiator weight:	3.2KG



Built-in power box: 129\*44\*480mm

### 145 Medium Galaxy 288 Beads (Flat Mouth)

Shell Material:	Aluminum Alloy
Aluminum substrate size:	127*478mm
Single color high voltage 3535 light board:	96 * 2W (8 series and 6 parallel)
Single color low voltage 3535 light board:	36*2W (9 series and 2 parallel)
Outer box size (cm)	
Profile radiator weight:	9.6KG



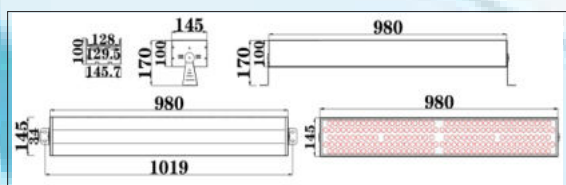
Built-in power box: 129\*44\*480mm

### 145 Medium Galaxy 288 Beads (Oblique)

Shell Material:	Aluminum Alloy
Aluminum substrate size:	127*478mm
Single color high voltage 3535 light board:	96 * 2W (8 series and 6 parallel)
Single color low voltage 3535 light board:	36*2W (9 series and 2 parallel)
Outer box size (cm)	
Profile radiator weight:	9.6KG

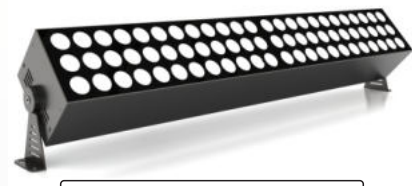


Built-in power box: 129\*44\*960mm

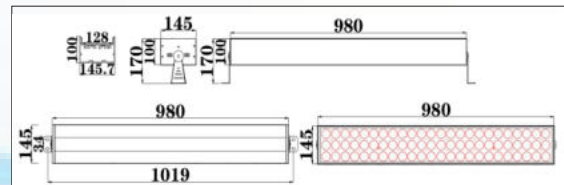


### 145 Medium Galaxy 192 beads (flat mouth)

Shell Material:	Aluminum Alloy
Aluminum substrate size:	127*960mm
Single color high voltage 3535 light board:	96 * 2W (8 series and 6 parallel)
Single color low voltage 3535 light board:	36*2W (9 series and 2 parallel)
Outer box size (cm)	45.5*34*38.5cm (1 box of 6)
Profile radiator weight:	5.2KG

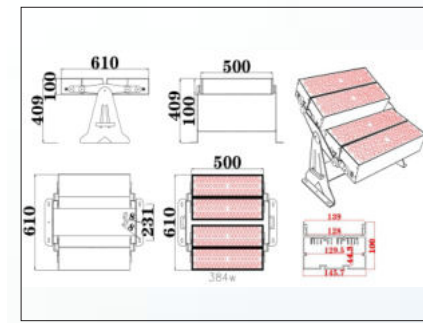


Built-in power box: 129\*44\*960mm



### 145 Medium Galaxy 72 Bead Large Lens (Flat Mouth)

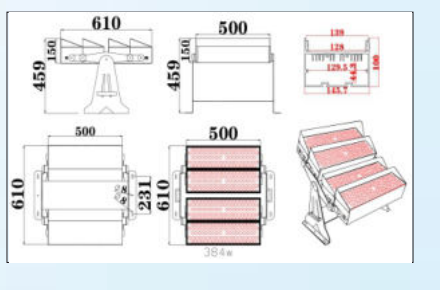
Shell Material:	Aluminum Alloy
Aluminum substrate size:	127*960mm
Single color high voltage 3535 light board:	96 * 2W (8 series and 6 parallel)
Single color low voltage 3535 light board:	36*2W (9 series and 2 parallel)
Outer box size (cm)	45.5*34*38.5cm (1 box of 6)
Profile radiator weight:	5.2KG



Built-in power box: 129\*44\*480mm

### 145 Medium Galaxy 384 Beads (Flat Mouth)

Shell Material:	Aluminum Alloy
Aluminum substrate size:	127*478mm
Single color high voltage 3535 light board:	96 * 2W (8 series and 6 parallel)
Single color low voltage 3535 light board:	36*2W (9 series and 2 parallel)
Outer box size (cm)	
Profile radiator weight:	9.6KG



Built-in power box: 129\*44\*480mm

### 145 Medium Galaxy 384 Beads (Oblique)

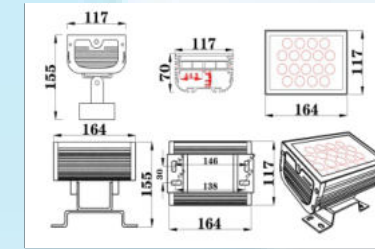
Shell Material:	Aluminum Alloy
Aluminum substrate size:	127*478mm
Single color high voltage 3535 light board:	96 * 2W (8 series and 6 parallel)
Single color low voltage 3535 light board:	36*2W (9 series and 2 parallel)
Outer box size (cm)	
Profile radiator weight:	9.6KG

# BENZ

Special  
Small  
Number

## System List

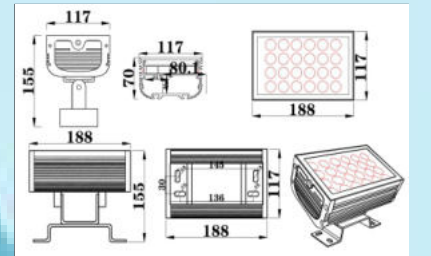
Mercedes Benz series  
(Extra small)



Built-in power box: 44\*31\*160mm

### 117 Extra Small Mercedes Benz 18 Beads (Flat Mouth)

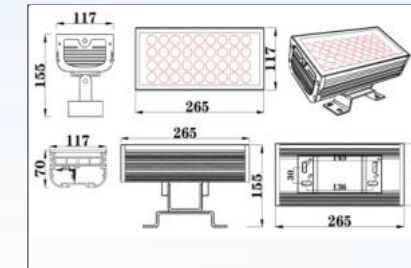
Shell Material:	Aluminum Alloy
Aluminum substrate size:	96*126mm
Single color high voltage 3030 light board:	18*1W (9 series and 2 parallel)
Single color low voltage 3030 light board:	18*1W (3 series and 6 parallel)
Single color high and low 3535 light board	6*2W X PE(6 series and 1 parallel)
Outer box size (cm)	55.5*39.5*34cm (1 box of 12)
Profile radiator weight:	0.5KG



Built-in power box: 44\*31\*170mm

### 117 Extra Small Mercedes Benz 24 Beads (Flat End)

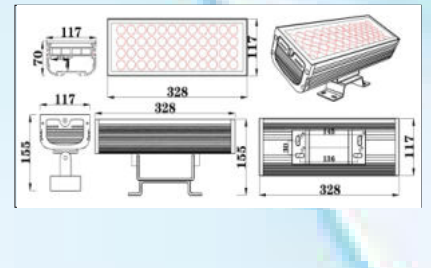
Shell Material:	Aluminum Alloy
Aluminum substrate size:	96*150mm
Single color high voltage 3030 light board:	24*1W (12 series and 2 parallel)
Single color low voltage 3030 light board:	24*1W (8 series and 3 parallel)
Single color high and low 3535 light board	8*2W (8 series and 1 parallel)
Outer box size (cm)	57*28*36cm (1 box of 15)
Profile radiator weight:	0.6KG



Built-in power box: 44\*31\*240mm

### 117 Extra Small Mercedes Benz 36 Beads (Flat End)

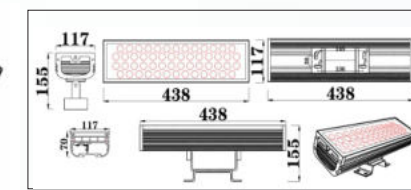
Shell Material:	Aluminum Alloy
Aluminum substrate size:	96*220mm
Single color high voltage 3030 light board:	36*1W (18 series and 2 parallel)
Single color low voltage 3030 light board:	36*1W (12 series and 3 parallel)
Single color high and low 3535 light board	12*2W (6 series and 2 parallel)
Outer box size (cm)	66.5*35*27cm (1 box of 8)
Profile radiator weight:	0.9KG



Built-in power box: 44\*31\*310mm

### 117 Extra Small Mercedes Benz 48 Beads (Flat End)

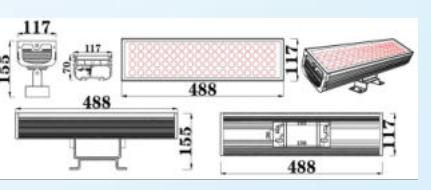
Shell Material:	Aluminum Alloy
Aluminum substrate size:	96*290mm
Single color high voltage 3030 light board:	48*1W (12 series and 4 parallel)
Single color low voltage 3030 light board:	48*1W (16 series and 3 parallel)
Single color high and low 3535 light board	16*2W (8 series and 2 parallel)
Outer box size (cm)	44*37.7*31cm (1 box of 8)
Profile radiator weight:	1.2KG



Built-in power box: 44\*31\*420mm

### 117 Extra Small Mercedes Benz 54 Beads (Flat End)

Shell Material:	Aluminum Alloy
Aluminum substrate size:	96*400mm
Single color high voltage 3030 light board:	54*1W (13 series and 3 parallel)
Single color high voltage 3535 light board	18*2W (2series and 9 parallel)
Outer box size (cm)	65*46*34cm (1 box of 10)
Profile radiator weight:	1.5KG



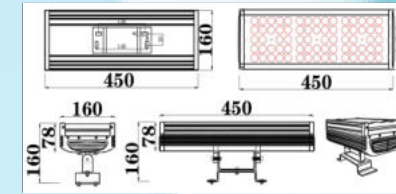
Built-in power box: 44\*31\*420mm

### 117 Extra Small Mercedes Benz 72 Beads (Flat Mouth)

Shell Material:	Aluminum Alloy
Aluminum substrate size:	96*400mm
Single color high voltage 3030 light board:	72*1W (18 series and 2 parallel)
Outer box size (cm)	65*46*34cm (1 box of 10)
Profile radiator weight:	1.5KG

# Benz system List

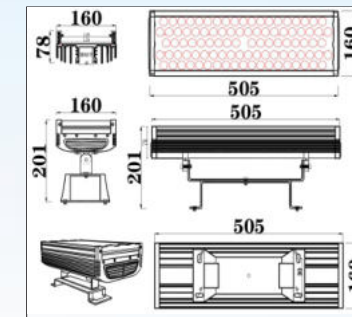
Small Number



Built-in power box: 40\*38\*400mm

## 160 small Mercedes Benz 72 beads

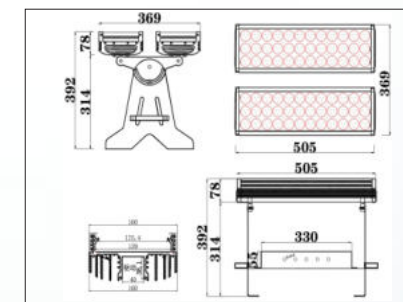
Shell Material:	Aluminum Alloy
Aluminum base plate size: (three boards spliced together)	127*405mm
Aluminum base plate size: (three boards spliced together)	18 * 1W (9 series and 2 parallel) 24 * 1W (3 series and 8 parallel)
Aluminum base plate size: (three boards spliced together)	24 * 1.5W (12 series and 2 parallel) 18 * 1.5W X PE (3 series and 6 parallel)
Aluminum base plate size: (three boards spliced together)	9*3W X PE (9 series and 1 parallel)
RG B R G BW 3 Aluminum base plate size: (three boards spliced together)	18 * 2W (6 series and 8 parallel) 24 * 1W (6 series and 4 parallel)
Outer box size (cm)	45*34.5*39cm (1 box of 4)
Profile radiator weight:	2.5KG



Built-in power box: 40\*38\*480mm

## 160 small Mercedes Benz 96 beads

Shell Material:	Aluminum Alloy
Aluminum substrate size:	127*478mm
Single color low voltage 3030 light board:	96 * 1W (12 series and 4 parallel)
Single color high voltage 3535 light board:	96 * 1.5W (12 series and 4 parallel)
Single color high voltage 3535 light board:	36*3W (9 series and 2 parallel)
RG B R G BW 3 535 light board:	36*3W (6 series and 6 parallel)
Outer box size (cm)	58*19*20.5cm (1 box of 4)
Profile radiator weight:	2.9KG

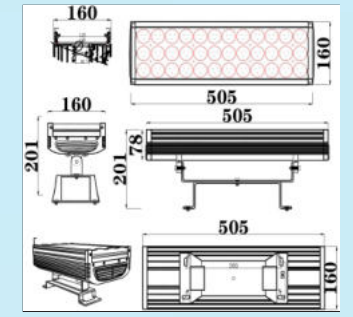


Built-in power box: 40\*38\*480mm

External power box: 140\*280\*50mm

## 160 small Mercedes-Benz 72 beads large lens

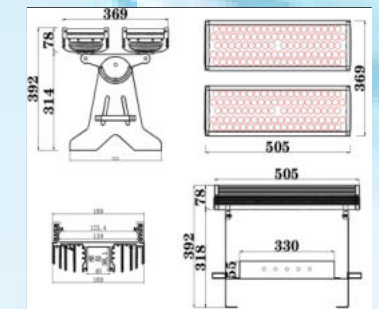
Shell Material:	Aluminum Alloy
Aluminum substrate size:	127*478mm
Single color low voltage 3030 light board:	96 * 1W (12 series and 4 parallel)
Single color high voltage 3535 light board:	96 * 1.5W (12 series and 4 parallel)
Single color high voltage 3535 light board:	36*3W (9 series and 2 parallel)
RG B R G BW 3 535 light board:	36*3W (6 series and 6 parallel)
Outer box size (cm)	
Profile radiator weight:	5.8KG



Built-in power box: 40\*38\*400mm

## 160 small Mercedes Benz 36 beads large lens

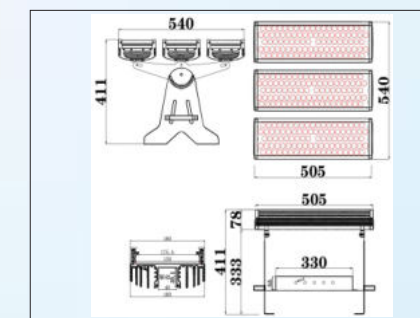
Shell Material:	Aluminum Alloy
Aluminum substrate size:	127*478mm
Single color low voltage 3030 light board:	96 * 1W (12 series and 4 parallel)
Single color high voltage 3535 light board:	96 * 1.5W (12 series and 4 parallel)
Single color high voltage 3535 light board:	36*3W (9 series and 2 parallel)
RG B R G BW 3 535 light board:	36*3W (6 series and 6 parallel)
Outer box size (cm)	58*19*20.5cm (1 box of 4)
Profile radiator weight:	2.9KG



External power box: 140\*280\*50mm Built-in power box: 40\*38\*480mm

## 160 small Mercedes Benz 192 beads

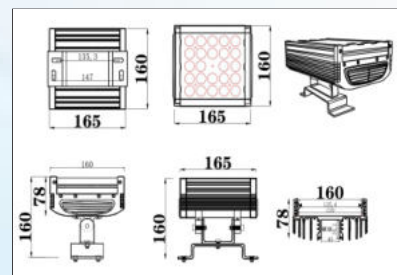
Shell Material:	Aluminum Alloy
Aluminum substrate size:	127*478mm
Single color low voltage 3030 light board:	96 * 1W (12 series and 4 parallel)
Single color high voltage 3535 light board:	96 * 1.5W (12 series and 4 parallel)
Single color high voltage 3535 light board:	36*3W (9 series and 2 parallel)
RG B R G BW 3 535 light board:	36*3W (6 series and 6 parallel)
Outer box size (cm)	
Profile radiator weight:	5.8KG



External power box: 200\*310\*50mm Built-in power box: 40\*38\*480mm

## 160 small Mercedes Benz 288 beads

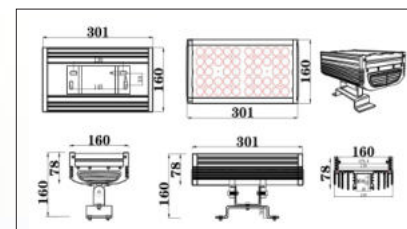
Shell Material:	Aluminum Alloy
Aluminum substrate size:	127*478mm
Single color low voltage 3030 light board:	96 * 1W (12 series and 4 parallel)
Single color high voltage 3535 light board:	96 * 1.5W (12 series and 4 parallel)
Single color high voltage 3535 light board:	36*3W (9 series and 2 parallel)
RG B R G BW 3 535 light board:	36*3W (6 series and 6 parallel)
Outer box size (cm)	
Profile radiator weight:	5.8KG



Built-in power box: 40\*38\*135mm

## 160 small Mercedes Benz 24 beads

Shell Material:	Aluminum Alloy
Aluminum substrate size:	127*135mm
Single color low voltage 3030 light board:	18 * 1W (9 series and 2 parallel) 24 * 1W (3 series and 8 parallel)
Single color high voltage 3535 light board:	24 * 1.5W (12 series and 2 parallel) 18 * 1.5W XPE (3 series and 6 parallel)
Single color high voltage 3535 light board:	9*2W XPE (9 series and 1 parallel)
RG B R G BW 3 535 light board:	18 * 2W (6 series and 8 parallel) 24 * 1W (6 series and 4 parallel)
Outer box size (cm)	56.5*20.5*38.5cm (1 box of 10)
Profile radiator weight:	0.8KG



Built-in power box: 40\*38\*270mm

## 160 small Mercedes Benz 48 beads

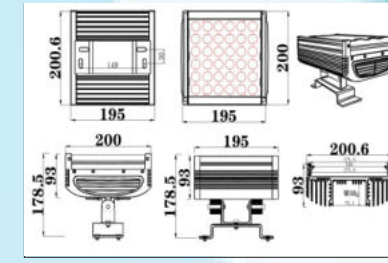
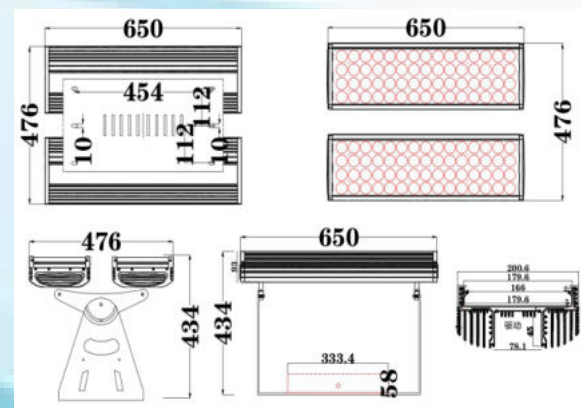
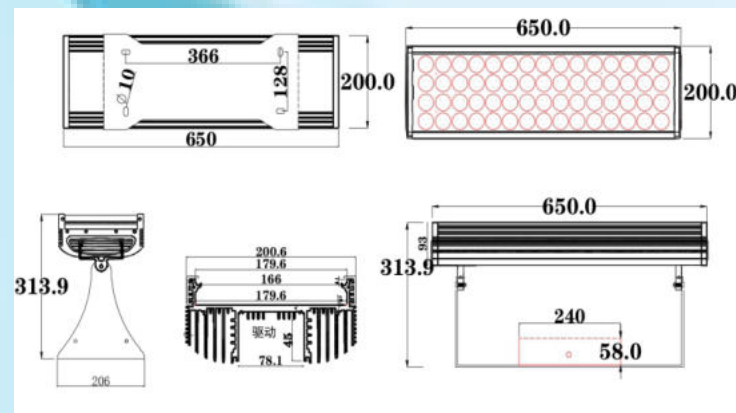
Shell Material:	Aluminum Alloy
Aluminum substrate size:	127*270mm
Single color low voltage 3030 light board:	18 * 1W (9 series and 2 parallel) 24 * 1W (3 series and 8 parallel)
Single color high voltage 3535 light board:	24 * 1.5W (12 series and 2 parallel) 18 * 1.5W XPE (3 series and 6 parallel)
Single color high voltage 3535 light board:	9*3W XPE (9 series and 1 parallel)
RG B R G BW 3 535 light board:	18 * 2W (6 series and 8 parallel) 24 * 1W (6 series and 4 parallel)
Outer box size (cm)	33.5*33*39cm (1 box of 4)
Profile radiator weight:	1.7KG

# BENZ

system **middle Number**

## List

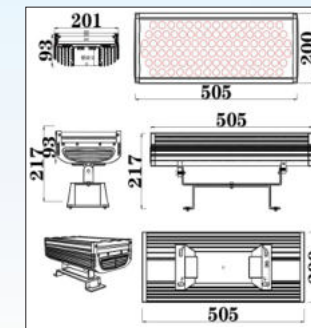
Mercedes Benz series  
(medium size)



Built-in power box: 78\*44\*160mm

### 200 Medium Mercedes Benz 36 beads

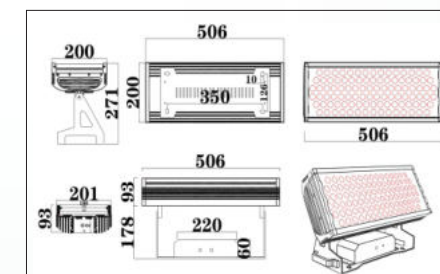
Shell Material:	Aluminum Alloy
Shell material:	
Aluminum base plate size: (two plates spliced together)	166*162mm
Single color high voltage 3535 light board:	24*2W (12 series and 2 parallel) 36*1.5W (3B12C)
Single color high voltage 3535 light board:	16*3W XPE (2B8C)
RG B 3535 light board:	24*2W X PE (4 series and 4 parallel) 36*2W (6C6B) 16*3W (2C2B)
RG BW 3 535 light board:	16*3W (4 series and 4 parallel) 24*2W (6C4B) 36*2W (6C6B)
Outer box size (cm)	39.5*22*43cm (1 box of 4)
Profile radiator weight:	1.4KG



Built-in power box: 78\*44\*180mm

### 200 Medium Mercedes Benz 100 beads

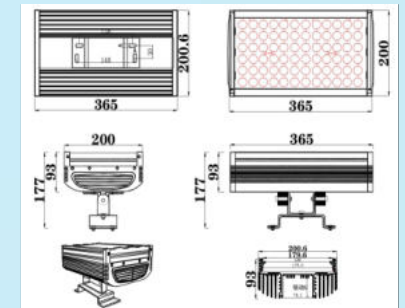
Shell Material:	Aluminum Alloy
Aluminum substrate size:	166*478mm
Single color high voltage 3535 light board:	100*2W X PE (5 series and 10 parallel) X2L
Single color high voltage 3535 light board:	48*3W X PE (12 series and 2 parallel)
RG B 3535 light board:	48*3W X PE (6 series and 8 parallel)
RG BW 3 535 light board:	48*3W X PE (6 series and 8 parallel)
Outer box size (cm)	53*21*22.2cm (1 box of 1)
Profile radiator weight:	4.2KG



Built-in power box: 78\*44\*180mm

### 200 Medium Mercedes Benz 100 Beads

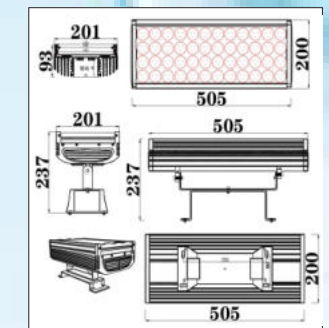
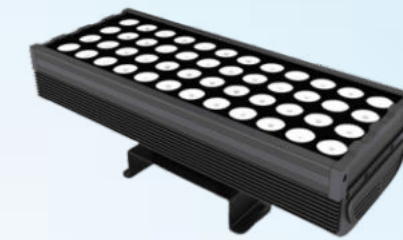
Shell Material:	Shell Material:
Aluminum substrate size:	166*478mm
Single color high voltage 3535 light board:	100*2W XPE (5 series and 10 parallel) X2L
Single color high voltage 3535 light board:	48*3W X PE (12 series and 2 parallel)
RG B 3535 light board:	48*3W X PE (6 series and 8 parallel)
RG BW 3 535 light board:	48*3W X PE (6 series and 8 parallel)
Outer box size (cm)	
Profile radiator weight:	4.2KG



Built-in power box: 78\*44\*320mm

### 200 Medium Mercedes Benz 72 beads

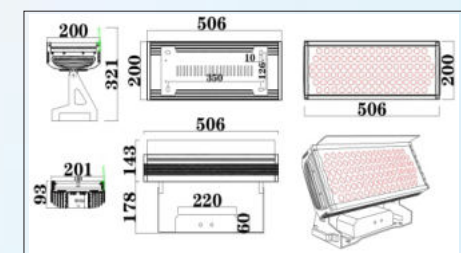
Shell Material:	Aluminum Alloy
Aluminum base plate size: (two plates spliced together)	166*325mm
Single color high voltage 3535 light board:	24*2W (12 series and 2 parallel) 36*1.5W (3B12C)
Single color high voltage 3535 light board:	16*3W X PE (2B8C) 32*3W (4B8C)
RG B 3535 light board:	24*2W X PE (4 series and 4 parallel) 36*2W (6C6B) 16*3W (2C2B) 32*3W (8B4C)
RG BW 3 535 light board:	16*3W (4 series and 4 parallel) 24*2W (6C4B) 36*2W (6C6B)
Outer box size (cm)	39.5*21*19.5cm (1 box of 1)
Profile radiator weight:	2.8KG



Built-in power box: 78\*44\*180mm

### 200 Medium Mercedes Benz 48 Bead Large Lens

Shell Material:	Aluminum Alloy
Aluminum substrate size:	166*478mm
Single color high voltage 3535 light board:	100*2W X PE (5 series and 10 parallel) X2L
Single color high voltage 3535 light board:	48*3W X PE (12 series and 2 parallel)
RG B 3535 light board:	48*3W X PE (6 series and 8 parallel)
RG BW 3 535 light board:	48*3W X PE (6 series and 8 parallel)
Outer box size (cm)	53*21*22.2cm (1 box of 1)
Profile radiator weight:	4.2KG



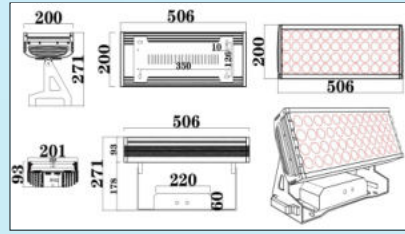
Built-in power box: 78\*44\*180mm

External power box: 100\*220\*60mm

### 200 Medium Mercedes Benz 100 Beads Oblique Mouth

Shell Material:	Shell Material:
Aluminum substrate size:	166*478mm
Single color high voltage 3535 light board:	100*2W XPE (5 series and 10 parallel) X2L
Single color high voltage 3535 light board:	48*3W X PE (12 series and 2 parallel)
RG B 3535 light board:	48*3W X PE (6 series and 8 parallel)
RG BW 3 535 light board:	48*3W X PE (6 series and 8 parallel)
Outer box size (cm)	
Profile radiator weight:	4.2KG

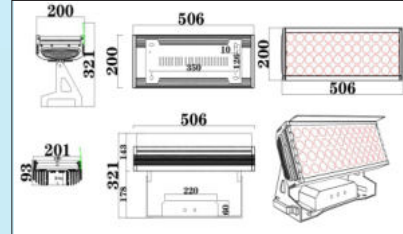




Built-in power box: 78\*44\*480mm  
External power box: 100\*220\*60mm

### 200 Medium Mercedes Benz 48 Bead Large Lens

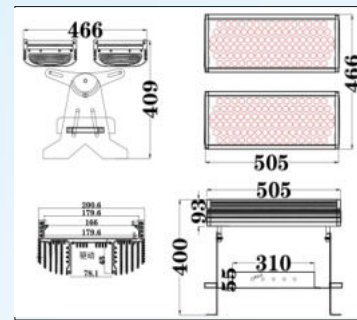
Shell Material:	Aluminum Alloy
Aluminum substrate size:	166*478mm
Single color high voltage 3535 light board:	100*2W X PE(5 series and 10 parallel) X2L
Single color high voltage 3535 light board:	48*3W X PE(12 series and 2 parallel)
RG B 3535 light board:	48*3W X PE(6 series and 8 parallel)
RG BW 3 535 light board:	48*3W X PE(6 series and 8 parallel)
Outer box size (cm)	
Profile radiator weight:	4.2KG



Built-in power box: 78\*44\*480mm  
External power box: 100\*220\*60mm

### 200 Medium Mercedes Benz 48 Beads Large Lens Bevel

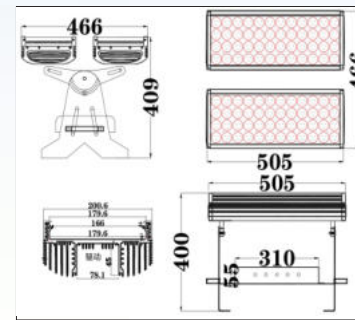
Shell Material:	Aluminum Alloy
Aluminum substrate size:	166*478mm
Single color high voltage 3535 light board:	100*2W X PE(5 series and 10 parallel) X2L
Single color high voltage 3535 light board:	48*3W X PE(12 series and 2 parallel)
RG B 3535 light board:	48*3W X PE(6 series and 8 parallel)
RG BW 3 535 light board:	48*3W X PE(6 series and 8 parallel)
Outer box size (cm)	
Profile radiator weight:	4.2KG



Built-in power box: 78\*44\*480mm  
External power box: 220\*310\*55mm

### 200 Medium Mercedes Benz 200 Beads

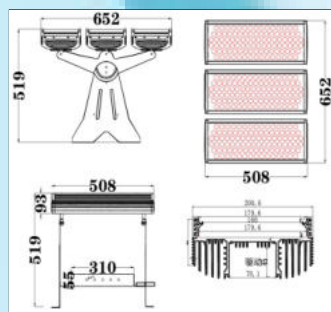
Shell Material:	Aluminum Alloy
Aluminum substrate size:	166*478mm
Single color high voltage 3535 light board:	100*2W X PE(5 series and 10 parallel) X2L
Single color high voltage 3535 light board:	48*3W X PE(12 series and 2 parallel)
RG B 3535 light board:	48*3W X PE(6 series and 8 parallel)
RG BW 3 535 light board:	48*3W X PE(6 series and 8 parallel)
Outer box size (cm)	
Profile radiator weight:	4.2KG



Built-in power box: 78\*44\*480mm  
External power box: 220\*310\*55mm

### 200 Medium Mercedes Benz 96 Bead Large Lens

Shell Material:	Aluminum Alloy
Aluminum substrate size:	166*478mm
Single color high voltage 3535 light board:	100*2W X PE(5 series and 10 parallel) X2L
Single color high voltage 3535 light board:	48*3W X PE(12 series and 2 parallel)
RG B 3535 light board:	48*3W X PE(6 series and 8 parallel)
RG BW 3 535 light board:	48*3W X PE(6 series and 8 parallel)
Outer box size (cm)	
Profile radiator weight:	4.2KG

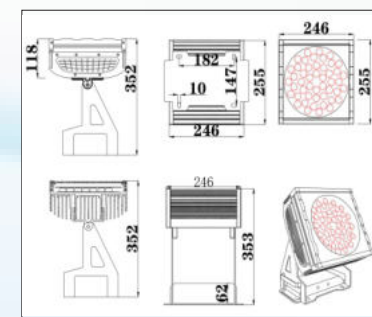


Built-in power box: 78\*44\*480mm  
External power box: 220\*310\*55mm



### 200 Medium Mercedes Benz 300 Beads

Shell Material:	Aluminum Alloy
Aluminum substrate size:	166*478mm
Single color high voltage 3535 light board:	100*2W X PE(5 series and 10 parallel) X2L
Single color high voltage 3535 light board:	48*3W X PE(12 series and 2 parallel)
RG B 3535 light board:	48*3W X PE(6 series and 8 parallel)
RG BW 3 535 light board:	48*3W X PE(6 series and 8 parallel)
Outer box size (cm)	
Profile radiator weight:	4.2KG



External power box: 100\*220\*60mm



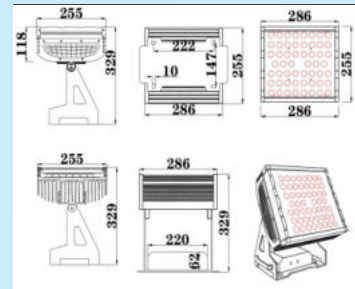
### 255 Large Mercedes Benz 48 beads

Shell Material:	Aluminum Alloy
Aluminum substrate size:	215mm
Single color high voltage 3535 light board:	BM -M 3736 48PX1.5 3535-4B12C
Outer box size (cm)	
Profile radiator weight:	4.2KG



# Benz system List

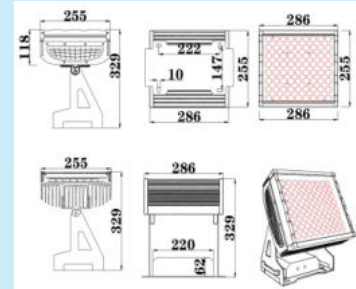
big Number



External power box: 100\*220\*60mm

## 255 Large Mercedes Benz 54 beads

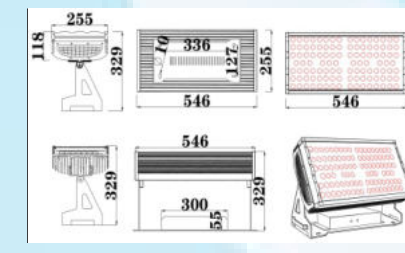
Shell Material:	Aluminum Alloy
Aluminum substrate size:	230*250mm
Single color high voltage 3535 light board:	54P 3535-9C6B
Single color high voltage 5050 light board:	16P 5050-16C1B
Single color high voltage 3535 light board:	30P 3535-15C2B
Single color high voltage 3535 light board:	72P 3535-8B9CX230X250MM
Outer box size (cm)	
Profile radiator weight:	4.7KG



External power box: 100\*220\*60mm

## 255 Large Mercedes Benz 72 beads

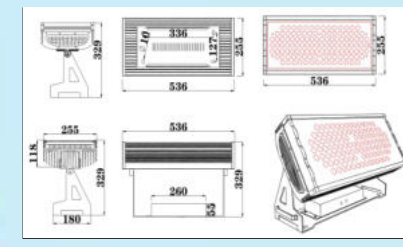
Shell Material:	Aluminum Alloy
Aluminum substrate size:	230*250mm
Single color high voltage 3535 light board:	54P 3535-9C6B
Single color high voltage 5050 light board:	16P 5050-16C1B
Single color high voltage 3535 light board:	30P 3535-15C2B
Single color high voltage 3535 light board:	72P 3535-8B9CX230X250MM
Outer box size (cm)	
Profile radiator weight:	4.7KG



External power box: 140\*280\*55mm

## 255 Large Mercedes Benz 98 beads

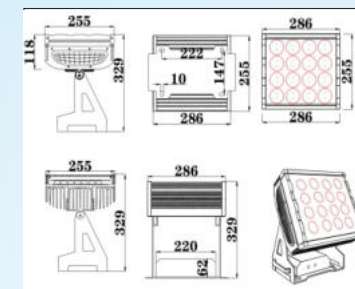
Shell Material:	Aluminum Alloy
Aluminum substrate size:	230*500mm
Single color high voltage 3535 light board:	54P 3535-9C6B
Single color high voltage 5050 light board:	16P 5050-16C1B
Single color high voltage 3535 light board:	30P 3535-15C2B
Single color high voltage 3535 light board:	72P 3535-8B9CX230X250MM
Outer box size (cm)	
Profile radiator weight:	9.4KG



External power box: 140\*280\*55mm

## 255 Large Mercedes Benz 120 beads

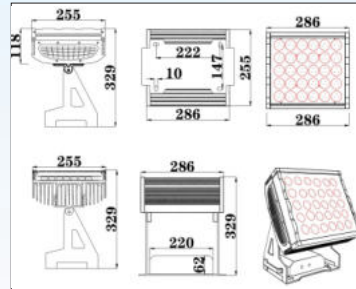
Shell Material:	Aluminum Alloy
Aluminum substrate size:	230*500mm
Single color high voltage 3535 light board:	54P 3535-9C6B
Single color high voltage 5050 light board:	16P 5050-16C1B
Single color high voltage 3535 light board:	30P 3535-15C2B
Single color high voltage 3535 light board:	72P 3535-8B9CX230X250MM
Outer box size (cm)	
Profile radiator weight:	9.4KG



External power box: 100\*220\*60mm

## 255 large Mercedes Benz 16 beads 5050 large lens

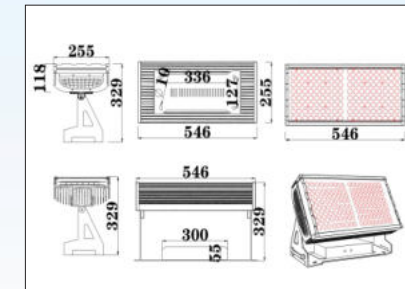
Shell Material:	Aluminum Alloy
Aluminum substrate size:	230*250mm
Single color high voltage 3535 light board:	54P 3535-9C6B
Single color high voltage 5050 light board:	16P 5050-16C1B
Single color high voltage 3535 light board:	30P 3535-15C2B
Single color high voltage 3535 light board:	72P 3535-8B9CX230X250MM
Outer box size (cm)	
Profile radiator weight:	4.7KG



External power box: 100\*220\*60mm

## 255 large Mercedes Benz 30 beads 3535 large lens

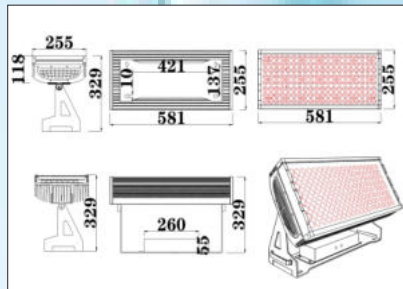
Shell Material:	Aluminum Alloy
Aluminum substrate size:	230*250mm
Single color high voltage 3535 light board:	54P 3535-9C6B
Single color high voltage 5050 light board:	16P 5050-16C1B
Single color high voltage 3535 light board:	30P 3535-15C2B
Single color high voltage 3535 light board:	72P 3535-8B9CX230X250MM
Outer box size (cm)	
Profile radiator weight:	4.7KG



External power box: 140\*280\*55mm

## 255 Large Mercedes Benz 144 beads

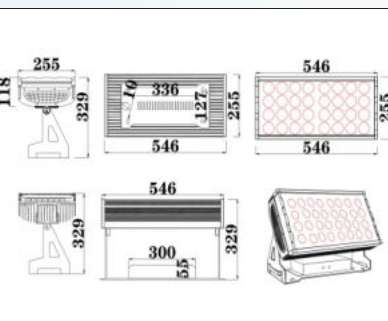
Shell Material:	Aluminum Alloy
Aluminum substrate size:	230*500mm
Single color high voltage 3535 light board:	54P 3535-9C6B
Single color high voltage 5050 light board:	16P 5050-16C1B
Single color high voltage 3535 light board:	30P 3535-15C2B
Single color high voltage 3535 light board:	72P 3535-8B9CX230X250MM
Outer box size (cm)	
Profile radiator weight:	9.4KG



External power box: 140\*280\*55mm

## 255 large Mercedes Benz 160 beads

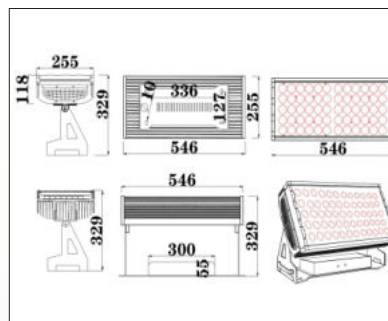
Shell Material:	Aluminum Alloy
Aluminum substrate size:	230*540mm
External power box size:	150*280*55mm
Outer box size (cm)	
Profile radiator weight:	10KG



External power box: 140\*280\*55mm

## 255 large Mercedes Benz 32 beads 5050 large lens

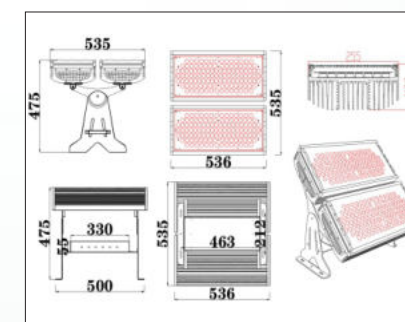
Shell Material:	Aluminum Alloy
Aluminum substrate size:	230*500mm
Single color high voltage 3535 light board:	54P 3535-9C6B
Single color high voltage 5050 light board:	16P 5050-16C1B
Single color high voltage 3535 light board:	30P 3535-15C2B
Single color high voltage 3535 light board:	72P 3535-8B9CX230X250MM
Outer box size (cm)	
Profile radiator weight:	9.4KG



External power box: 140\*280\*55mm

## 255 large Mercedes Benz 60 beads 3535 large lens

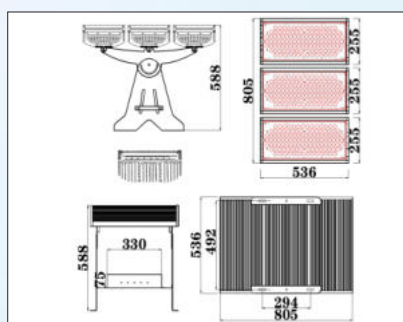
Shell Material:	Aluminum Alloy
Aluminum substrate size:	230*500mm
Single color high voltage 3535 light board:	54P 3535-9C6B
Single color high voltage 5050 light board:	16P 5050-16C1B
Single color high voltage 3535 light board:	30P 3535-15C2B
Single color high voltage 3535 light board:	72P 3535-8B9CX230X250MM
Outer box size (cm)	
Profile radiator weight:	4.7KG



External power box: 170\*310\*55mm

## 255 large Mercedes Benz 240 beads

Shell Material:	Aluminum Alloy
Aluminum substrate size:	230*500mm
Single color high voltage 3535 light board:	120PX2 3535-15C4B*2
Single color high voltage 3535 light board:	48PX3 3535-12C2B*2
Single color high voltage 3535 light board:	60PX3 3535-12C5B
Outer box size (cm)	
Profile radiator weight:	18.4KG



External power box: 240\*310\*55mm

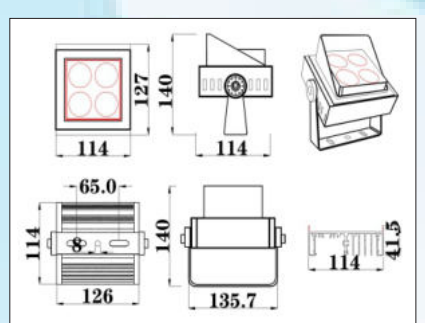
## 255 Large Mercedes Benz 360 Beads

Shell Material:	Aluminum Alloy
Aluminum substrate size:	230*500mm
Single color high voltage 3535 light board:	120PX2 3535-15C4B*2
Single color high voltage 3535 light board:	48PX3 3535-12C2B*2
Single color high voltage 3535 light board:	60PX3 3535-12C5B
Outer box size (cm)	
Profile radiator weight:	27.8KG

# Economy Light Cube system List

Economy Small Light Cube Series

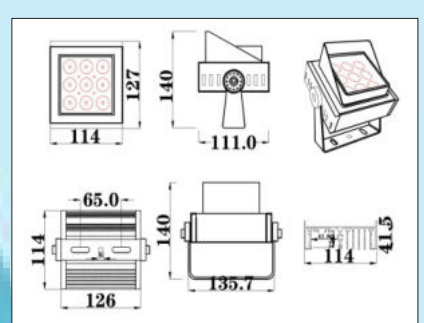
Small Number



Built-in power box: 22\*41\*110mm

## 114 Small Economic Light Cube 4 Beads Large Lens Bevel

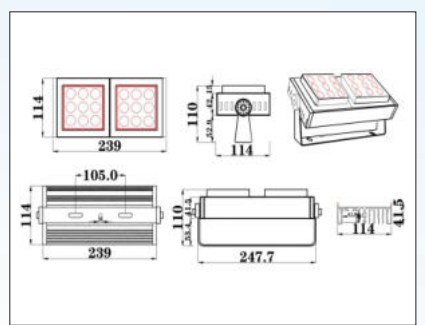
Shell Material:	Aluminum Alloy
Aluminum substrate size:	72*72mm
Single color high voltage 3535 light board:	G L-20670 4P-12W -4C1B 72X72MM
Single color high voltage 3535 light board:	G L-20393 9P-18W -9C1B 72X72M M
Outer box size (cm)	68*34.5*31.5cm (20 pieces per box)
Profile radiator weight:	0.25KG



Built-in power box: 22\*41\*110mm

## 114 Small Economic Light Cube 9 Beads Oblique Mouth

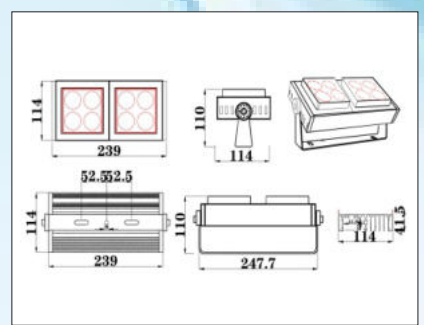
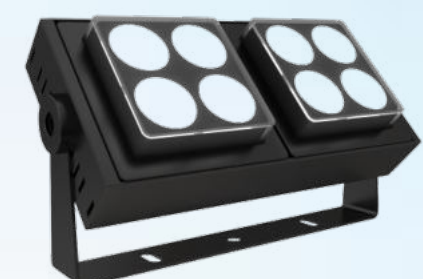
Shell Material:	Aluminum Alloy
Aluminum substrate size:	72*72mm
Single color high voltage 3535 light board:	G L-20670 4P-12W -4C1B 72X72MM
Single color high voltage 3535 light board:	G L-20393 9P-18W -9C1B 72X72MM
Outer box size (cm)	68*34.5*31.5cm (20 pieces per box)
Profile radiator weight:	0.25KG



Built-in power box: 22\*41\*220mm

## 114 Small Economic Light Cube 18 Beads

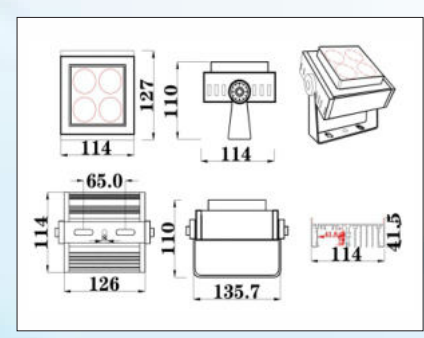
Shell Material:	Aluminum Alloy
Aluminum substrate size:	72*72mm
Single color high voltage 3535 light board:	G L-20670 4P-12W -4C1B 72X72MM
Single color high voltage 3535 light board:	G L-20393 9P-18W -9C1B 72X72MM
Outer box size (cm)	
Profile radiator weight:	0.5KG



Built-in power box: 22\*41\*220mm

## 114 Small Economic Light Cube 8-bead Large Lens

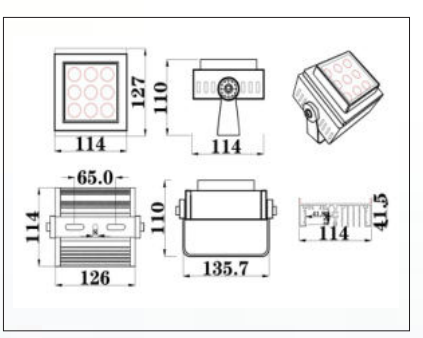
Shell Material:	Aluminum Alloy
Aluminum substrate size:	72*72mm
Single color high voltage 3535 light board:	G L-20670 4P-12W -4C1B 72X72MM
Single color high voltage 3535 light board:	G L-20393 9P-18W -9C1B 72X72MM
Outer box size (cm)	
Profile radiator weight:	0.5KG



Built-in power box: 22\*41\*110mm

## 114 Small Economic Light Cube 4 Beads Large Lens

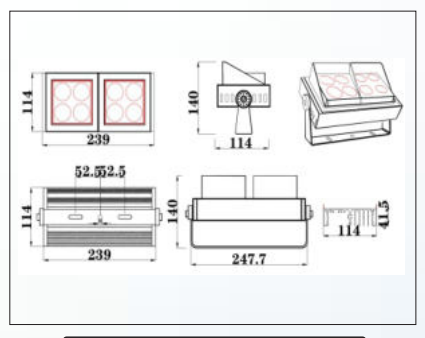
Shell Material:	Aluminum Alloy
Aluminum substrate size:	72*72mm
Single color high voltage 3535 light board:	G L-20670 4P-12W -4C1B 72X72MM
Single color high voltage 3535 light board:	G L-20393 9P-18W -9C1B 72X72MM
Outer box size (cm)	68*34.5*31.5cm (20 pieces per box)
Profile radiator weight:	0.25KG



Built-in power box: 22\*41\*110mm

## 114 Small Economic Light Cube 9 Beads

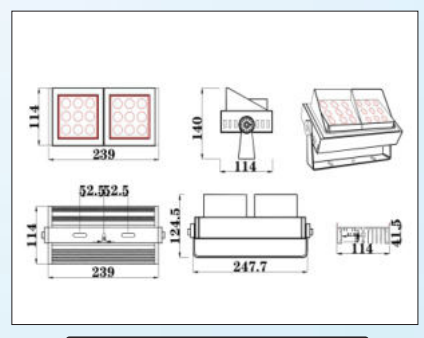
Shell Material:	Aluminum Alloy
Aluminum substrate size:	72*72mm
Single color high voltage 3535 light board:	G L-20670 4P-12W -4C1B 72X72MM
Single color high voltage 3535 light board:	G L-20393 9P-18W -9C1B 72X72MM
Outer box size (cm)	68*34.5*31.5cm (20 pieces per box)
Profile radiator weight:	0.25KG



Built-in power box: 22\*41\*220mm

## 114 Small Economic Light Cube 8 Beads Large Lens Bevel

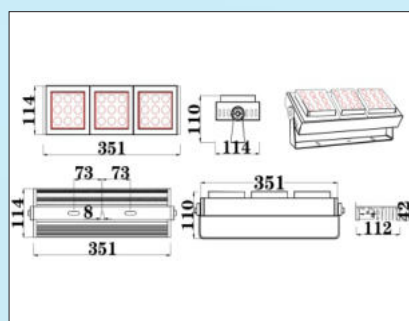
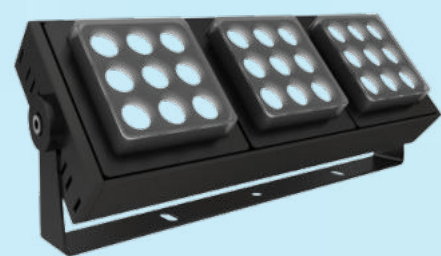
Shell Material:	Aluminum Alloy
Aluminum substrate size:	72*72mm
Single color high voltage 3535 light board:	G L-20670 4P-12W -4C1B 72X72M M
Single color high voltage 3535 light board:	G L-20393 9P-18W -9C1B 72X72M M
Outer box size (cm)	
Profile radiator weight:	0.5KG



Built-in power box: 22\*41\*220mm

## 114 Small Economic Light Cube 18 Beads Bevel

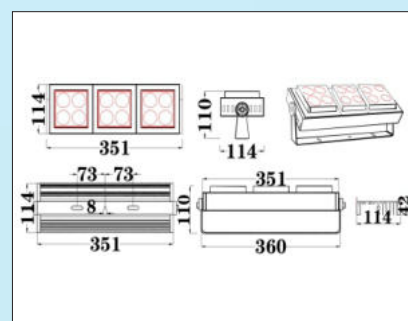
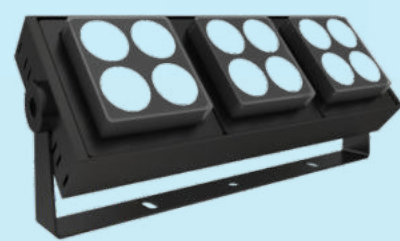
Shell Material:	Aluminum Alloy
Aluminum substrate size:	72*72mm
Single color high voltage 3535 light board:	G L-20670 4P-12W -4C1B 72X72MM
Single color high voltage 3535 light board:	G L-20393 9P-18W -9C1B 72X72MM
Outer box size (cm)	
Profile radiator weight:	0.5KG



Built-in power box: 22\*41\*330mm

### 114 Small Economic Light Cube 27 Beads

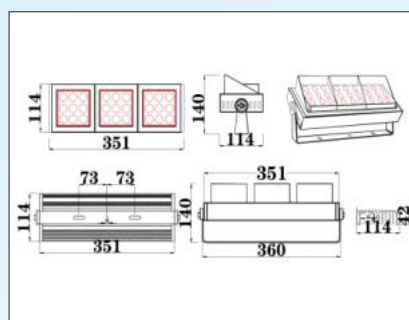
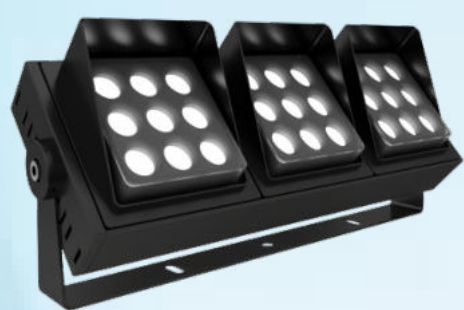
Shell Material:	Aluminum Alloy
Aluminum substrate size:	72*72mm
Single color high voltage 3535 light board:	G L-20670 4P-12W -4C1B 72X72MM
Single color high voltage 3535 light board:	G L-20393 9P-18W -9C1B 72X72MM
Outer box size (cm)	
Profile radiator weight:	0.75KG



内置电源盒: 22\*41\*330mm

### 114 Small Economic Light Cube 12 Beads Large Lens

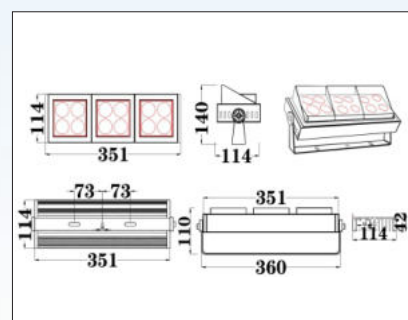
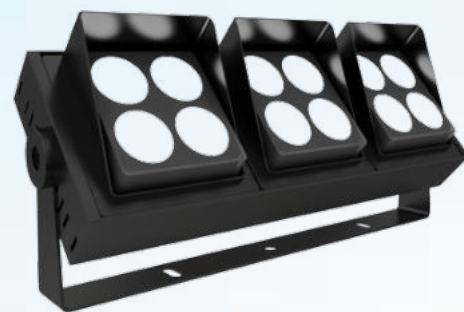
Shell Material:	Aluminum Alloy
Aluminum substrate size:	72*72mm
Single color high voltage 3535 light board:	G L-20670 4P-12W -4C1B 72X72MM
Single color high voltage 3535 light board:	G L-20393 9P-18W -9C1B 72X72MM
Outer box size (cm)	
Profile radiator weight:	0.75KG



Built-in power box: 22\*41\*330mm

### 114 Small Economic Light Cube 27 Beads Bevel

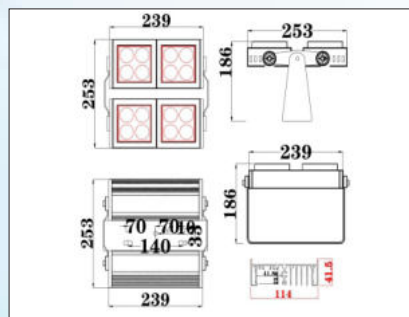
Shell Material:	Aluminum Alloy
Aluminum substrate size:	72*72mm
Single color high voltage 3535 light board:	G L-20670 4P-12W -4C1B 72X72MM
Single color high voltage 3535 light board:	G L-20393 9P-18W -9C1B 72X72MM
Outer box size (cm)	
Profile radiator weight:	0.75KG



Built-in power box: 22\*41\*330mm

### 114 Small Economic Light Cube 12 Beads Large Lens Bevel

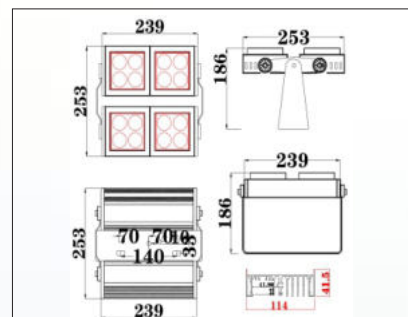
Shell Material:	Aluminum Alloy
Aluminum substrate size:	72*72mm
Single color high voltage 3535 light board:	G L-20670 4P-12W -4C1B 72X72MM
Single color high voltage 3535 light board:	G L-20393 9P-18W -9C1B 72X72MM
Outer box size (cm)	
Profile radiator weight:	0.75KG



Built-in power box: 22\*41\*331mm

### 114 Small Economic Light Cube 16 Beads Large Lens

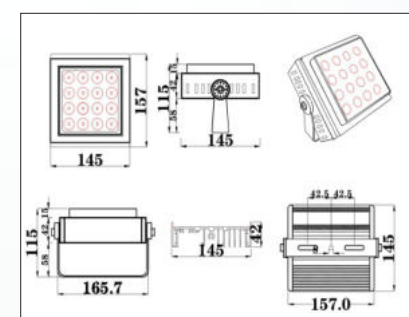
Shell Material:	Aluminum Alloy
Aluminum substrate size:	72*72mm
Single color high voltage 3535 light board:	G L-20670 4P-12W -4C1B 72X72MM
Single color high voltage 3535 light board:	G L-20393 9P-18W -9C1B 72X72MM
Outer box size (cm)	
Profile radiator weight:	0.75KG



Built-in power box: 22\*41\*332mm

### 114 Small Economic Light Cube 16 Beads Large Lens Bevel

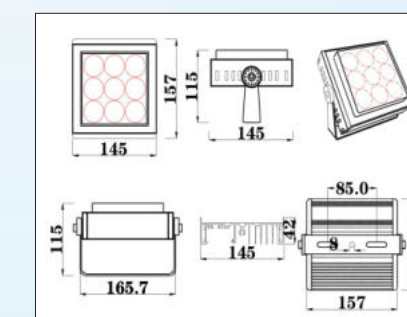
Shell Material:	Aluminum Alloy
Aluminum substrate size:	72*72mm
Single color high voltage 3535 light board:	G L-20670 4P-12W -4C1B 72X72MM
Single color high voltage 3535 light board:	G L-20393 9P-18W -9C1B 72X72MM
Outer box size (cm)	
Profile radiator weight:	0.75KG



Built-in power box: 23\*44\*140mm

### 145 Medium Economy Light Cube 16 Beads

Shell Material:	Aluminum Alloy
Aluminum substrate size:	102*102mm
Single color high voltage 3535 light board:	G L-20389 9P-27W -9C1B 102 X102MM
Single color high voltage 3535 light board:	G L-20396 16P-24W -8C2B 102X102MM
Outer box size (cm)	69*39.3*36.8cm (20 pieces per box)
Profile radiator weight:	0.42KG



Built-in power box: 23\*44\*140mm

### 145 Medium Economy Light Cube 9-bead Large Lens

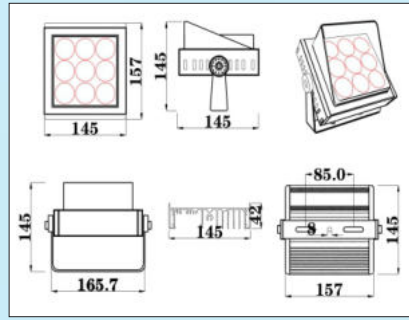
Shell Material:	Aluminum Alloy
Aluminum substrate size:	102*102mm
Single color high voltage 3535 light board:	G L-20389 9P-27W -9C1B 102 X102MM
Single color high voltage 3535 light board:	G L-20396 16P-24W -8C2B 102X102MM
Outer box size (cm)	69*39.3*36.8cm (20 pieces per box)
Profile radiator weight:	0.42KG

Economy

# Light Cube

system  
Economy Medium Light Cube Series middle Number List

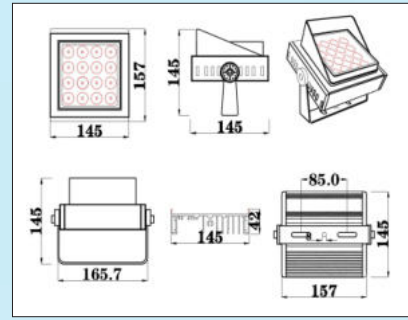




Built-in power box: 23\*44\*140mm

### 145 Medium Economic Light Cube 9-bead Large Lens Bevel

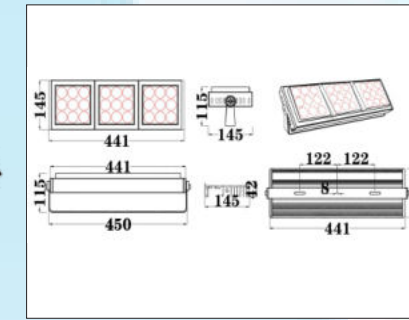
Shell Material:	Aluminum Alloy
Aluminum substrate size:	102*102mm
Single color high voltage 3535 light board:	G 120389 9P-27W -9C1B 102 X102MM
Single color high voltage 3535 light board:	G L-20396 16P-24W -8C2B 102X102MM
Outer box size (cm)	69*39. 3*36. 8cm (20 pieces per box)
Profile radiator weight:	0.42KG



Built-in power box: 23\*44\*140mm

### 145 Medium Economic Light Cube 16 Beads Bevel

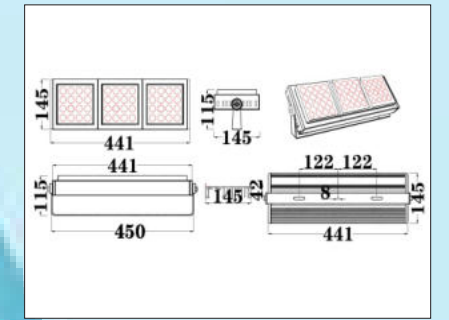
Shell Material:	Aluminum Alloy
Aluminum substrate size:	102*102mm
Single color high voltage 3535 light board:	G 120389 9P-27W -9C1B 102 X102MM
Single color high voltage 3535 light board:	G L-20396 16P-24W -8C2B 102X102MM
Outer box size (cm)	69*39. 3*36. 8cm (20 pieces per box)
Profile radiator weight:	0.42KG



Built-in power box: 23\*44\*423mm

### 145 Medium Economic Light Cube 27 Bead Large Lens

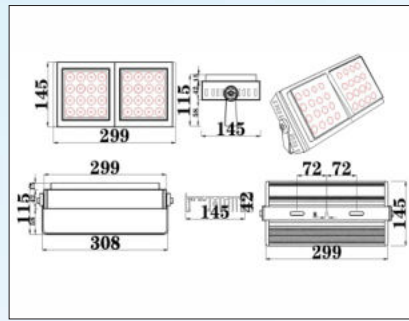
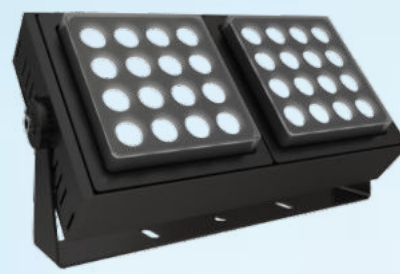
Shell Material:	Aluminum Alloy
Aluminum substrate size:	102*102mm
Single color high voltage 3535 light board:	G 120389 9P-27W -9C1B 102 X102MM
Single color high voltage 3535 light board:	G L-20396 16P-24W -8C2B 102X102MM
Outer box size (cm)	
Profile radiator weight:	1.26KG



Built-in power box: 23\*44\*423mm

### 145 Medium Economy Light Cube 48 Beads

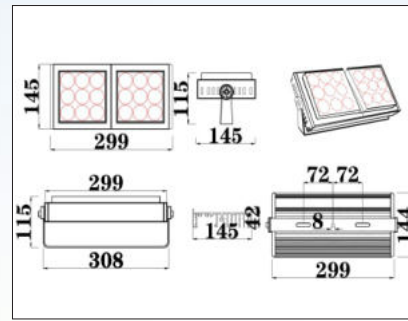
Shell Material:	Aluminum Alloy
Aluminum substrate size:	102*102mm
Single color high voltage 3535 light board:	G 120389 9P-27W -9C1B 102 X102MM
Single color high voltage 3535 light board:	G L-20396 16P-24W -8C2B 102X102MM
Outer box size (cm)	
Profile radiator weight:	1.26KG



Built-in power box: 23\*44\*280mm

### 145 Medium Economic Light Cube 32 Beads

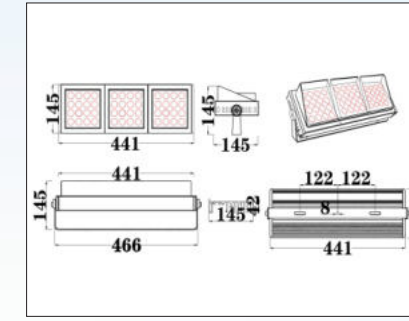
Shell Material:	Aluminum Alloy
Aluminum substrate size:	102*102mm
Single color high voltage 3535 light board:	G 120389 9P-27W -9C1B 102 X102MM
Single color high voltage 3535 light board:	G L-20396 16P-24W -8C2B 102X102MM
Outer box size (cm)	69*39. 3*36. 8cm (20 pieces per box)
Profile radiator weight:	0.84KG



Built-in power box: 23\*44\*280mm

### 145 Medium Economic Light Cube 18 Bead Large Lens

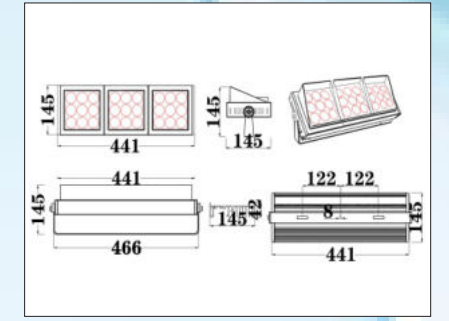
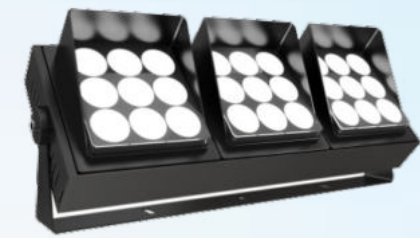
Shell Material:	Aluminum Alloy
Aluminum substrate size:	102*102mm
Single color high voltage 3535 light board:	G 120389 9P-27W -9C1B 102 X102MM
Single color high voltage 3535 light board:	G L-20396 16P-24W -8C2B 102X102MM
Outer box size (cm)	69*39. 3*36. 8cm (20 pieces per box)
Profile radiator weight:	0.84KG



Built-in power box: 23\*44\*423mm

### 145 Medium Economic Light Cube 48 Beads Bevel

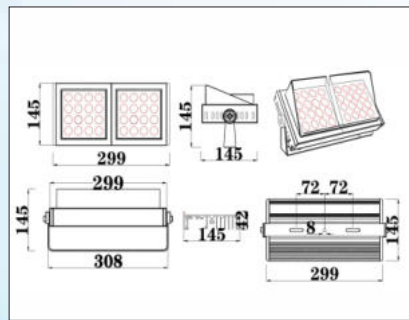
Shell Material:	Aluminum Alloy
Aluminum substrate size:	102*102mm
Single color high voltage 3535 light board:	G 120389 9P-27W -9C1B 102 X102MM
Single color high voltage 3535 light board:	G L-20396 16P-24W -8C2B 102X102MM
Outer box size (cm)	
Profile radiator weight:	1.26KG



Built-in power box: 23\*44\*423mm

### 145 Medium Economic Light Cube 27 Beads Large Lens Bevel

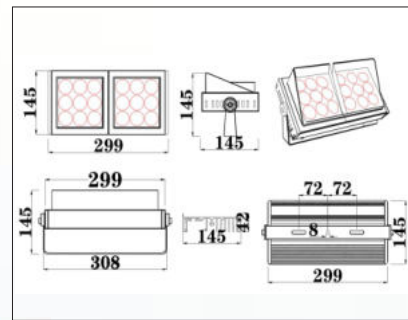
Shell Material:	Aluminum Alloy
Aluminum substrate size:	102*102mm
Single color high voltage 3535 light board:	G 120389 9P-27W -9C1B 102 X102MM
Single color high voltage 3535 light board:	G L-20396 16P-24W -8C2B 102X102MM
Outer box size (cm)	
Profile radiator weight:	1.26KG



Built-in power box: 23\*44\*280mm

### 145 Medium Economic Light Cube 32 Beads Bevel

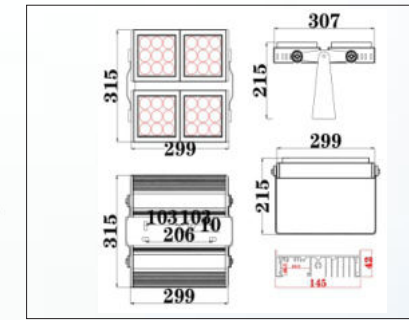
Shell Material:	Aluminum Alloy
Aluminum substrate size:	102*102mm
Single color high voltage 3535 light board:	G 120389 9P-27W -9C1B 102 X102MM
Single color high voltage 3535 light board:	G L-20396 16P-24W -8C2B 102X102MM
Outer box size (cm)	69*39. 3*36. 8cm (20 pieces per box)
Profile radiator weight:	0.84KG



Built-in power box: 23\*44\*280mm

### 145 Medium Economic Light Cube 18 Beads Large Lens Bevel

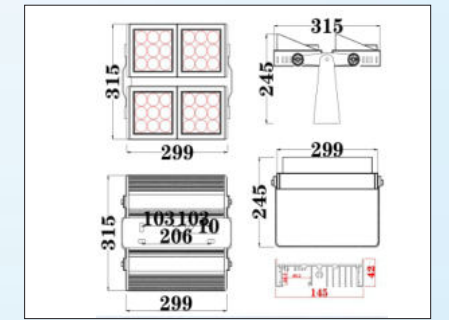
Shell Material:	Aluminum Alloy
Aluminum substrate size:	102*102mm
Single color high voltage 3535 light board:	G 120389 9P-27W -9C1B 102 X102MM
Single color high voltage 3535 light board:	G L-20396 16P-24W -8C2B 102X102MM
Outer box size (cm)	69*39. 3*36. 8cm (20 pieces per box)
Profile radiator weight:	0.84KG



Built-in power box: 23\*44\*424mm

### 145 Medium Economic Light Cube 27 Beads Large Lens Bevel

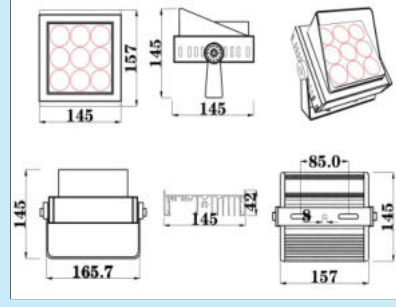
Shell Material:	Aluminum Alloy
Aluminum substrate size:	102*102mm
Single color high voltage 3535 light board:	G 120389 9P-27W -9C1B 102 X102MM
Single color high voltage 3535 light board:	G L-20396 16P-24W -8C2B 102X102MM
Outer box size (cm)	69*39. 3*36. 8cm (20 pieces per box)
Profile radiator weight:	1.26KG



Built-in power box: 23\*44\*425mm

### 145 Medium Economic Light Cube 27 Beads Large Lens Bevel

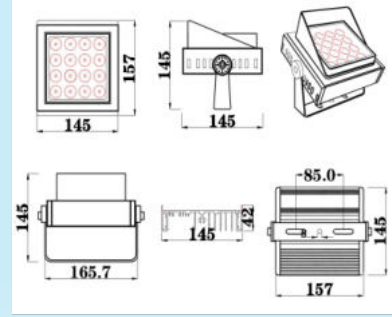
Shell Material:	Aluminum Alloy
Aluminum substrate size:	102*102mm
Single color high voltage 3535 light board:	G 120389 9P-27W -9C1B 102 X102MM
Single color high voltage 3535 light board:	G L-20396 16P-24W -8C2B 102X102MM
Outer box size (cm)	69*39. 3*36. 8cm (20 pieces per box)
Profile radiator weight:	1.26KG



Built-in power box: 23\*44\*140mm

### 145 Medium Economic Light Cube 9-bead Large Lens Bevel

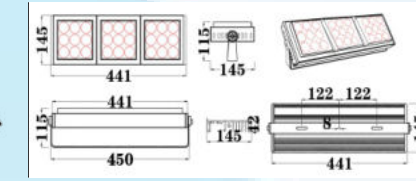
Shell Material:	Aluminum Alloy
Aluminum substrate size:	102*102mm
Single color high voltage 3535 light board:	G 120389 9P-27W -9C1B 102 X102MM
Single color high voltage 3535 light board:	G L-20396 16P-24W -8C2B 102X102MM
Outer box size (cm)	69*39. 3*36. 8cm (20 pieces per box)
Profile radiator weight:	0. 42KG



Built-in power box: 23\*44\*140mm

### 145 Medium Economic Light Cube 16 Beads Bevel

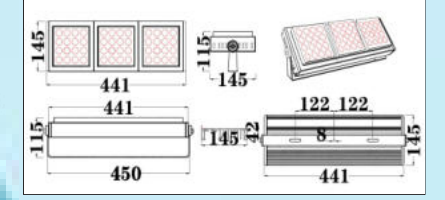
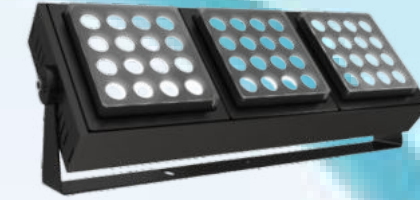
Shell Material:	Aluminum Alloy
Aluminum substrate size:	102*102mm
Single color high voltage 3535 light board:	G 120389 9P-27W -9C1B 102 X102MM
Single color high voltage 3535 light board:	G L-20396 16P-24W -8C2B 102X102MM
Outer box size (cm)	69*39. 3*36. 8cm (20 pieces per box)
Profile radiator weight:	0. 42KG



Built-in power box: 23\*44\*423mm

### 145 Medium Economic Light Cube 27 Bead Large Lens

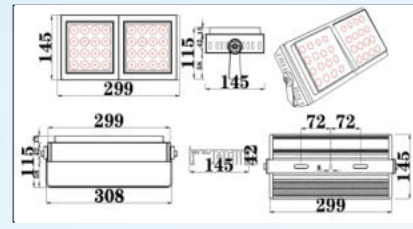
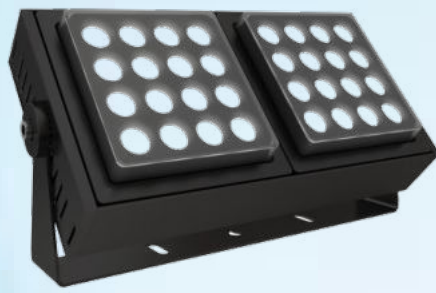
Shell Material:	Aluminum Alloy
Aluminum substrate size:	102*102mm
Single color high voltage 3535 light board:	G 120389 9P-27W -9C1B 102 X102MM
Single color high voltage 3535 light board:	G L-20396 16P-24W -8C2B 102X102MM
Outer box size (cm)	
Profile radiator weight:	1. 26KG



Built-in power box: 23\*44\*423mm

### 145 Medium Economy Light Cube 48 Beads

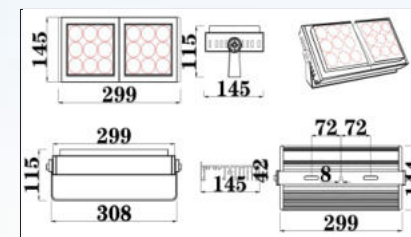
Shell Material:	Aluminum Alloy
Aluminum substrate size:	102*102mm
Single color high voltage 3535 light board:	G 120389 9P-27W -9C1B 102 X102MM
Single color high voltage 3535 light board:	G L-20396 16P-24W -8C2B 102X102MM
Outer box size (cm)	
Profile radiator weight:	1. 26KG



Built-in power box: 23\*44\*280mm

### 145 Medium Economic Light Cube 32 Beads

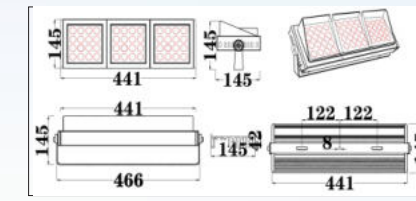
Shell Material:	Aluminum Alloy
Aluminum substrate size:	102*102mm
Single color high voltage 3535 light board:	G 120389 9P-27W -9C1B 102 X102MM
Single color high voltage 3535 light board:	G L-20396 16P-24W -8C2B 102X102MM
Outer box size (cm)	69*39. 3*36. 8cm (20 pieces per box)
Profile radiator weight:	0. 84KG



Built-in power box: 23\*44\*280mm

### 145 Medium Economic Light Cube 18 Bead Large Lens

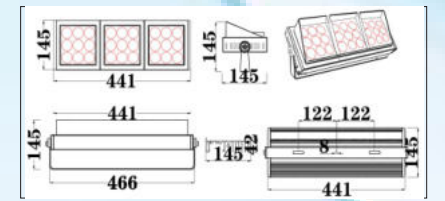
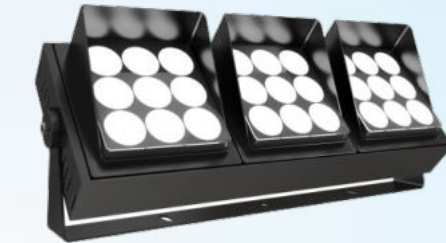
Shell Material:	Aluminum Alloy
Aluminum substrate size:	102*102mm
Single color high voltage 3535 light board:	G 120389 9P-27W -9C1B 102 X102MM
Single color high voltage 3535 light board:	G L-20396 16P-24W -8C2B 102X102MM
Outer box size (cm)	69*39. 3*36. 8cm (20 pieces per box)
Profile radiator weight:	0. 84KG



Built-in power box: 23\*44\*423mm

### 145 Medium Economic Light Cube 48 Beads Bevel

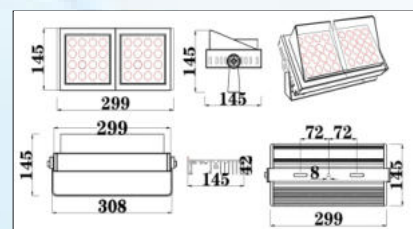
Shell Material:	Aluminum Alloy
Aluminum substrate size:	102*102mm
Single color high voltage 3535 light board:	G 120389 9P-27W -9C1B 102 X102MM
Single color high voltage 3535 light board:	G L-20396 16P-24W -8C2B 102X102MM
Outer box size (cm)	
Profile radiator weight:	1. 26KG



Built-in power box: 23\*44\*423mm

### 145 Medium Economic Light Cube 27 Beads Large Lens Bevel

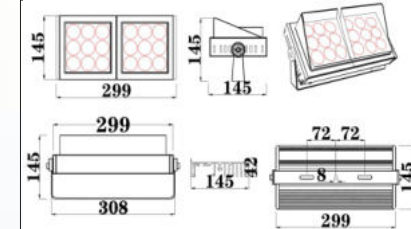
Shell Material:	Aluminum Alloy
Aluminum substrate size:	102*102mm
Single color high voltage 3535 light board:	G 120389 9P-27W -9C1B 102 X102MM
Single color high voltage 3535 light board:	G L-20396 16P-24W -8C2B 102X102MM
Outer box size (cm)	
Profile radiator weight:	1. 26KG



Built-in power box: 23\*44\*280mm

### 145 Medium Economic Light Cube 32 Beads Bevel

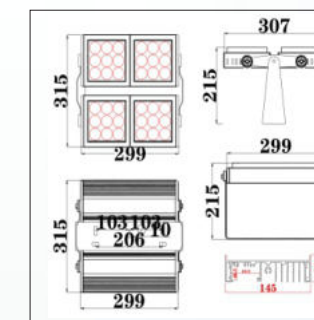
Shell Material:	Aluminum Alloy
Aluminum substrate size:	102*102mm
Single color high voltage 3535 light board:	G 120389 9P-27W -9C1B 102 X102MM
Single color high voltage 3535 light board:	G L-20396 16P-24W -8C2B 102X102MM
Outer box size (cm)	69*39. 3*36. 8cm (20 pieces per box)
Profile radiator weight:	0. 84KG



Built-in power box: 23\*44\*280mm

### 145 Medium Economic Light Cube 18 Beads Large Lens Bevel

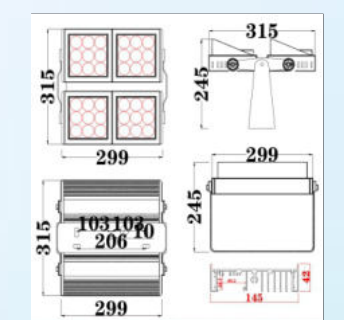
Shell Material:	Aluminum Alloy
Aluminum substrate size:	102*102mm
Single color high voltage 3535 light board:	G 120389 9P-27W -9C1B 102 X102MM
Single color high voltage 3535 light board:	G L-20396 16P-24W -8C2B 102X102MM
Outer box size (cm)	69*39. 3*36. 8cm (20 pieces per box)
Profile radiator weight:	0. 84KG



Built-in power box: 23\*44\*424mm

### 145 Medium Economic Light Cube 27 Beads Large Lens Bevel

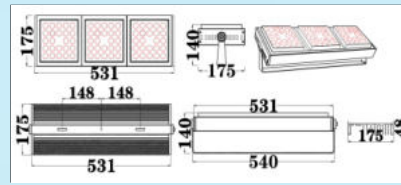
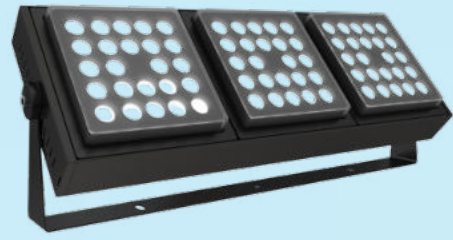
Shell Material:	Aluminum Alloy
Aluminum substrate size:	102*102mm
Single color high voltage 3535 light board:	G 120389 9P-27W -9C1B 102 X102MM
Single color high voltage 3535 light board:	G L-20396 16P-24W -8C2B 102X102MM
Outer box size (cm)	69*39. 3*36. 8cm (20 pieces per box)
Profile radiator weight:	1. 26KG



Built-in power box: 23\*44\*425mm

### 145 Medium Economic Light Cube 27 Beads Large Lens Bevel

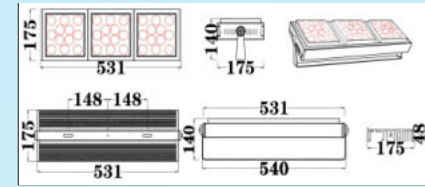
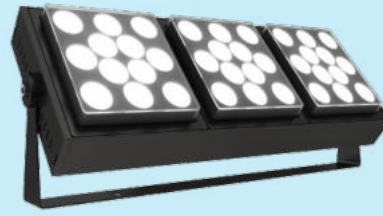
Shell Material:	Aluminum Alloy
Aluminum substrate size:	102*102mm
Single color high voltage 3535 light board:	G 120389 9P-27W -9C1B 102 X102MM
Single color high voltage 3535 light board:	G L-20396 16P-24W -8C2B 102X102MM
Outer box size (cm)	
Profile radiator weight:	1. 26KG



Built-in power box: 28\*44\*510mm

### 175 Large Economic Light Cube 72 Bead Flat Mouth

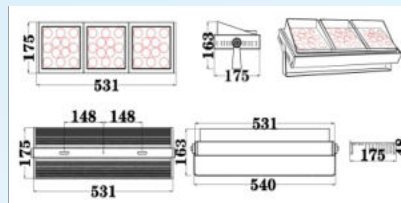
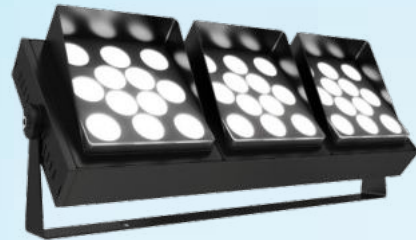
Shell Material:	Aluminum Alloy
Aluminum substrate size:	135*135mm
Single color high voltage 3535 light board:	G B M -21092 24W -XPE-2B12C-127X135MM
Single color high voltage 3535 light board:	L-20395 12P-36W -12C1B 135X139
Low voltage 3030 lamp board:	G L-21501 24W -3030-3C8B-DC24V
RG B R G B light board:	12P-6C2B
Outer box size (cm)	
Profile radiator weight:	2.3KG



Built-in power box: 28\*44\*510mm

### 175 Large Economic Light Cube 36 Beads Large Lens Flat Mouth

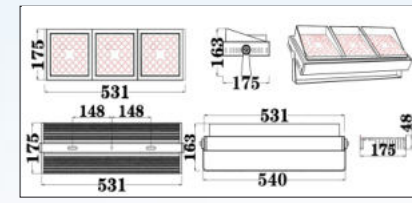
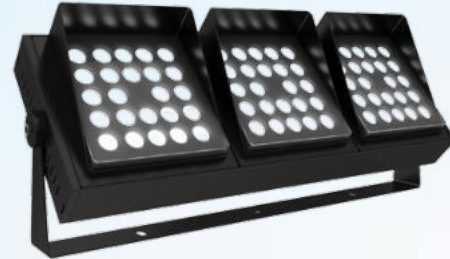
Shell Material:	Aluminum Alloy
Aluminum substrate size:	135*135mm
Single color high voltage 3535 light board:	G B M -21092 24W -XPE-2B12C-127X135MM
Single color high voltage 3535 light board:	L-20395 12P-36W -12C1B 135X139
Low voltage 3030 lamp board:	G L-21501 24W -3030-3C8B-DC24V
RG B R G B light board:	12P-6C2B
Outer box size (cm)	
Profile radiator weight:	2.3KG



Built-in power box: 28\*44\*510mm

### 175 Large Economic Light Cube 36 Beads Large Lens Bevel

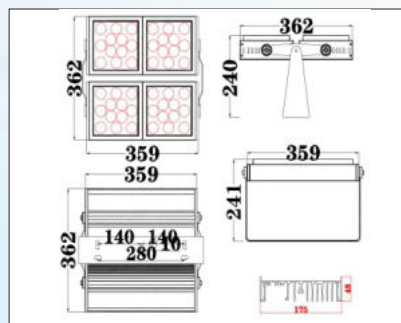
Shell Material:	Aluminum Alloy
Aluminum substrate size:	135*135mm
Single color high voltage 3535 light board:	G B M -21092 24W -XPE-2B12C-127X135MM
Single color high voltage 3535 light board:	L-20395 12P-36W -12C1B 135X139
Low voltage 3030 lamp board:	G L-21501 24W -3030-3C8B-DC24V
RG B R G B light board:	12P-6C2B
Outer box size (cm)	
Profile radiator weight:	2.3KG



Built-in power box: 28\*44\*510mm

### 175 Large Economic Light Cube 72 Beads Bevel

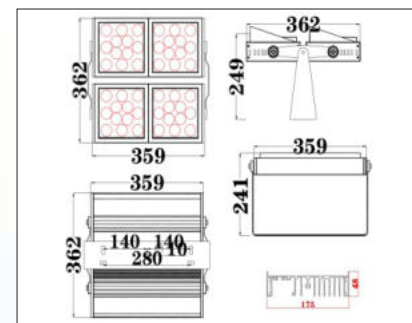
Shell Material:	Aluminum Alloy
Aluminum substrate size:	135*135mm
Single color high voltage 3535 light board:	G B M -21092 24W -XPE-2B12C-127X135MM
Single color high voltage 3535 light board:	L-20395 12P-36W -12C1B 135X139
Low voltage 3030 lamp board:	G L-21501 24W -3030-3C8B-DC24V
RG B R G B light board:	12P-6C2B
Outer box size (cm)	
Profile radiator weight:	2.3KG



Built-in power box: 28\*44\*510mm

### 175 Large Economic Light Cube 48 Beads Large Lens Flat Mouth

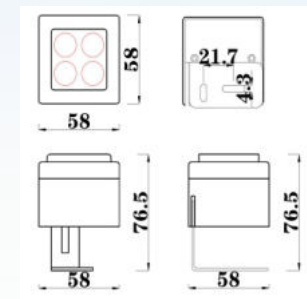
Shell Material:	Aluminum Alloy
Aluminum substrate size:	135*135mm
Single color high voltage 3535 light board:	G B M -21092 24W -XPE-2B12C-127X135MM
Single color high voltage 3535 light board:	L-20395 12P-36W -12C1B 135X139
Low voltage 3030 lamp board:	G L-21501 24W -3030-3C8B-DC24V
RG B R G B light board:	12P-6C2B
Outer box size (cm)	
Profile radiator weight:	2.3KG



Built-in power box: 28\*44\*510mm

### 175 Large Economic Light Cube 48 Beads Large Lens Bevel

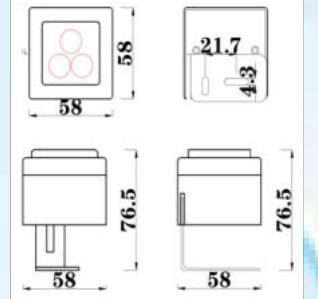
Shell Material:	Aluminum Alloy
Aluminum substrate size:	135*135mm
Single color high voltage 3535 light board:	G B M -21092 24W -XPE-2B12C-127X135MM
Single color high voltage 3535 light board:	L-20395 12P-36W -12C1B 135X139
Low voltage 3030 lamp board:	G L-21501 24W -3030-3C8B-DC24V
RG B R G B light board:	12P-6C2B
Outer box size (cm)	
Profile radiator weight:	2.3KG



Built-in power box: 45\*27\*20mm

### 58 Mini Light Cube 1 Bead Integrated Lens

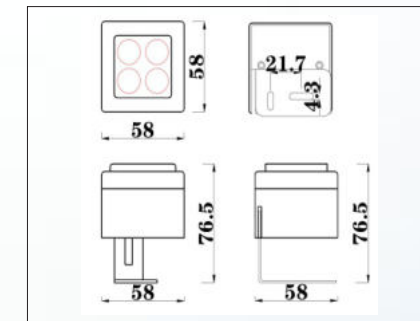
Shell Material:	Die-cast aluminum
Aluminum substrate size:	33*33mm
Single color high voltage 3535 light board:	G L-20597 1P full string 33X33MM
Single color high voltage 3535 light board:	G L-20598 3P XPE 3C1B 33X33MM
Single color high voltage 3535 light board:	G L-20596 4P XPE 4C1B 33X33MM
Outer box size (cm)	38.5*29*26cm (40 pieces per box)
Profile radiator weight:	0.1KG



Built-in power box: 45\*27\*20mm

### 58 Mini Light Cube 3 Beads Integrated Lens

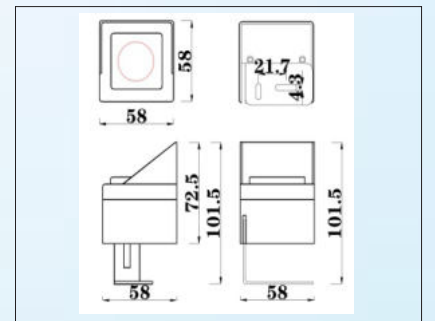
Shell Material:	Die-cast aluminum
Aluminum substrate size:	33*33mm
Single color high voltage 3535 light board:	G L-20597 1P full string 33X33MM
Single color high voltage 3535 light board:	G L-20598 3P XPE 3C1B 33X33MM
Single color high voltage 3535 light board:	G L-20596 4P XPE 4C1B 33X33MM
Outer box size (cm)	38.5*29*26cm (40 pieces per box)
Profile radiator weight:	0.1KG



Built-in power box: 45\*27\*20mm

### 58 Mini Light Cube 4-bead integrated lens

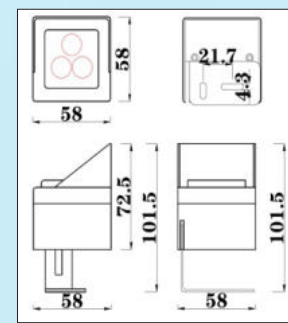
Shell Material:	Die-cast aluminum
Aluminum substrate size:	33*33mm
Single color high voltage 3535 light board:	G L-20597 1P full string 33X33MM
Single color high voltage 3535 light board:	G L-20598 3P XPE 3C1B 33X33MM
Single color high voltage 3535 light board:	G L-20596 4P XPE 4C1B 33X33MM
Outer box size (cm)	39.5*29*26cm (40 pieces per box)
Profile radiator weight:	0.1KG



Built-in power box: 45\*27\*20mm

### 58 Mini Light Cube 1 Bead Integrated Lens Bevel

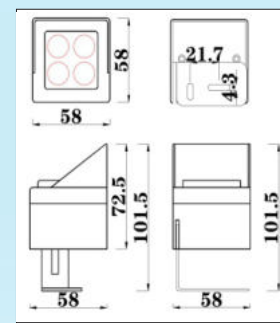
Shell Material:	Die-cast aluminum
Aluminum substrate size:	33*33mm
Single color high voltage 3535 light board:	G L-20597 1P full string 33X33MM
Single color high voltage 3535 light board:	G L-20598 3P XPE 3C1B 33X33MM
Single color high voltage 3535 light board:	G L-20596 4P XPE 4C1B 33X33MM
Outer box size (cm)	40.5*29*26cm (40 pieces per box)
Profile radiator weight:	0.1KG



Built-in power box: 45\*27\*20mm

### 58 Mini Light Cube 3-bead integrated lens, oblique mouth

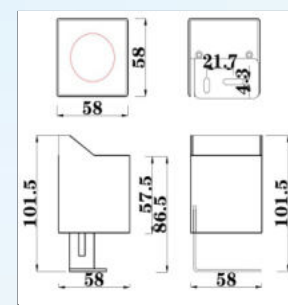
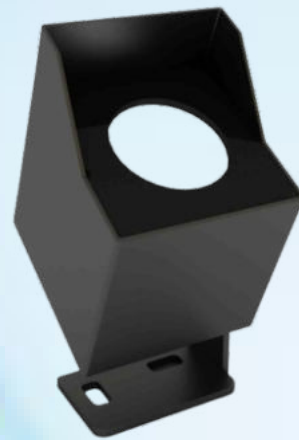
Shell Material:	Die-cast aluminum
Aluminum substrate size:	33*33mm
Single color high voltage 3535 light board:	G L-20597 1P full string 33X33MM
Single color high voltage 3535 light board:	G L-20598 3P XPE 3C1B 33X33MM
Single color high voltage 3535 light board:	G L-20596 4P XPE 4C1B 33X33MM
Outer box size (cm)	41.5*29*26cm (40 pieces per box)
Profile radiator weight:	0.1KG



Built-in power box: 45\*27\*20mm

### 58 Mini Light Cube 4-bead integrated lens, oblique mouth

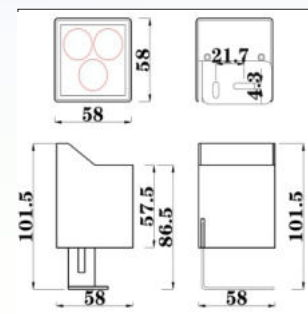
Shell Material:	Die-cast aluminum
Aluminum substrate size:	33*33mm
Single color high voltage 3535 light board:	G L-20597 1P full string 33X33MM
Single color high voltage 3535 light board:	G L-20598 3P XPE 3C1B 33X33MM
Single color high voltage 3535 light board:	G L-20596 4P XPE 4C1B 33X33MM
Outer box size (cm)	42.5*29*26cm (40 pieces per box)
Profile radiator weight:	0.1KG



Built-in power box: 45\*27\*20mm

### 58 Mini Light Cube 1 Bead Oblique Mouth

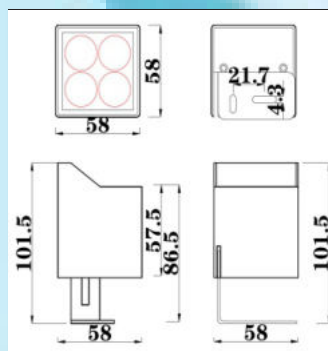
Shell Material:	Die-cast aluminum
Aluminum substrate size:	47*47mm
Single color high voltage 3535 light board:	1P Full string
Single color high voltage 3535 light board:	G L-20925 3P XPE 3C1B 47X47MM
Single color high voltage 3535 light board:	G L20924 4P XPE 4C1B 47X47MM
Outer box size (cm)	43.5*29*26cm (40 pieces per box)
Profile radiator weight:	0.16KG



Built-in power box: 45\*27\*20mm

### 58 Mini Light Cube 3 Beads Oblique Mouth

Shell Material:	Die-cast aluminum
Aluminum substrate size:	47*47mm
Single color high voltage 3535 light board:	1P Full string
Single color high voltage 3535 light board:	G L-20925 3P XPE 3C1B 47X47MM
Single color high voltage 3535 light board:	G L20924 4P XPE 4C1B 47X47MM
Outer box size (cm)	44.5*29*26cm (40 pieces per box)
Profile radiator weight:	0.16KG



Built-in power box: 45\*27\*20mm



### 58 Mini Light Cube 4 Beads Oblique Mouth

Shell Material:	Die-cast aluminum
Aluminum substrate size:	47*47mm
Single color high voltage 3535 light board:	1P Full string
Single color high voltage 3535 light board:	G L-20925 3P XPE 3C1B 47X47MM
Single color high voltage 3535 light board:	G L20924 4P XPE 4C1B 47X47MM
Outer box size (cm)	45.5*29*26cm (40 pieces per box)
Profile radiator weight:	0.16KG

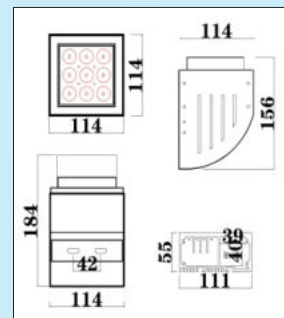
# Light Cube Wall Lamp

Wall lamp light cube series

system  
List



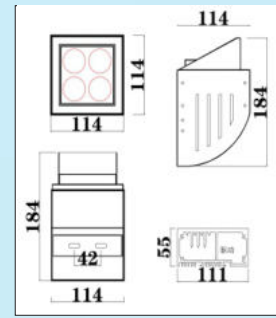




Built-in power box: 22\*41\*110mm

### 111 Small Light Cube 9-bead Large Lens

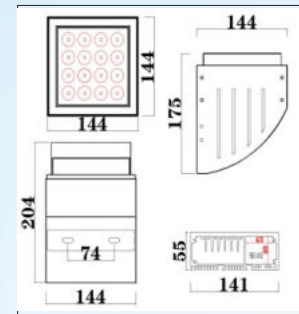
Shell Material:	Aluminum Alloy	
Aluminum substrate size:	72*72mm	
Single color high voltage 3535 light board:	G L-20670 4P-12W	-4C1B 72X72MM
Single color high voltage 3535 light board:	G L-20393 9P-18W	-9C1B 72X72MM
Outer box size (cm)		
Profile radiator weight:	0.25KG	



Built-in power box: 22\*41\*110mm

### 111 Small Light Cube 4 Beads Large Lens Bevel

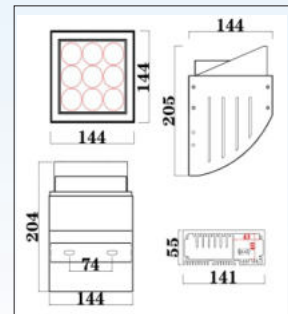
Shell Material:	Aluminum Alloy	
Aluminum substrate size:	72*72mm	
Single color high voltage 3535 light board:	G L-20670 4P-12W	-4C1B 72X72MM
Single color high voltage 3535 light board:	G L-20393 9P-18W	-9C1B 72X72MM
Outer box size (cm)		
Profile radiator weight:	0.25KG	



Built-in power box: 23\*44\*140mm

### 141 Medium Light Cube 16 Beads

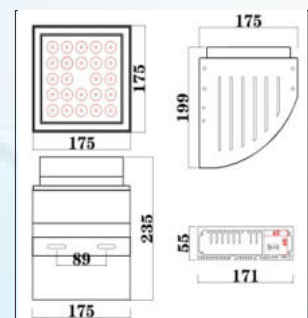
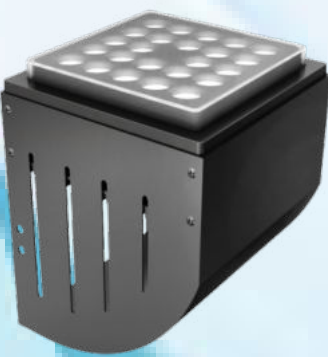
Shell Material:	Aluminum Alloy	
Aluminum substrate size:	102*102mm	
Single color high voltage 3535 light board:	G L20389 9P-27W	-9C1B 102 X102MM
Single color high voltage 3535 light board:	G L-20396 16P-24W	-8C2B 102X102MM
Outer box size (cm)		
Profile radiator weight:	0.42KG	



Built-in power box: 23\*44\*140mm

### 141 Medium Light Cube 9-bead Large Lens Bevel

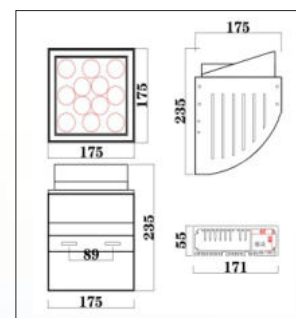
Shell Material:	Aluminum Alloy	
Aluminum substrate size:	102*102mm	
Single color high voltage 3535 light board:	G L20389 9P-27W	-9C1B 102 X102MM
Single color high voltage 3535 light board:	G L-20396 16P-24W	-8C2B 102X102MM
Outer box size (cm)		
Profile radiator weight:	0.42KG	



Built-in power box: 28\*44\*171mm

### 171 Large Light Cube 24 Beads

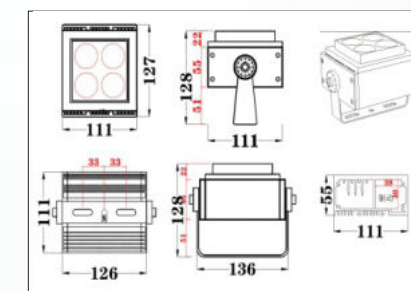
Shell Material:	Aluminum Alloy	
Aluminum substrate size:	135*135mm	
Single color high voltage 3535 light board:	G L-20670 4P-12W	-4C1B 72X72M
Single color high voltage 3535 light board:	G L-20393 9P-18W	-9C1B 72X72M
Low voltage 3030 lamp board:	G L-21501 24W	-3030-3C8B-DC24V
RG B RG Bw Light plate:	12P-6C2B	
Outer box size (cm)		
Profile radiator weight:	0.75KG	



Built-in power box: 28\*44\*171mm

### 141 Large Light Cube 12 Beads Large Lens Bevel

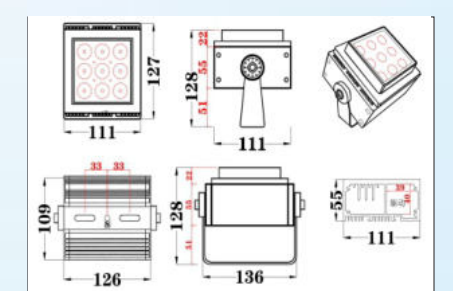
Shell Material:	Aluminum Alloy	
Aluminum substrate size:	135*135mm	
Single color high voltage 3535 light board:	G L-20670 4P-12W	-4C1B 72X72M
Single color high voltage 3535 light board:	G L-20393 9P-18W	-9C1B 72X72M
Low voltage 3030 lamp board:	G L-21501 24W	-3030-3C8B-DC24V
RG B RG Bw Light plate:	12P-6C2B	
Outer box size (cm)		
Profile radiator weight:	0.75KG	



Built-in power box: 40\*40\*110mm

### 111 Small Light Cube 4 Beads Large Lens

Shell Material:	Aluminum Alloy	
Aluminum substrate size:	72*72mm	
Single color high voltage 3535 light board:	G L-20670 4P-12W	-4C1B 72X72MM
Single color high voltage 3535 light board:	G L-20393 9P-18W	-9C1B 72X72MM
Outer box size (cm)	68*34.5*31.5(20 pieces per box)	
Profile radiator weight:	0.6KG	



Built-in power box: 40\*40\*110mm

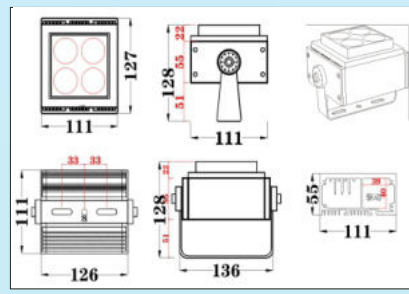
### 111 Small Light Cube 9 Beads

Shell Material:	Aluminum Alloy	
Aluminum substrate size:	72*72mm	
Single color high voltage 3535 light board:	G L-20670 4P-12W	-4C1B 72X72MM
Single color high voltage 3535 light board:	G L-20393 9P-18W	-9C1B 72X72MM
Outer box size (cm)	68*34.5*31.5(20 pieces per box)	
Profile radiator weight:	0.6KG	

# Light Cube system List

Small Light Cube Series

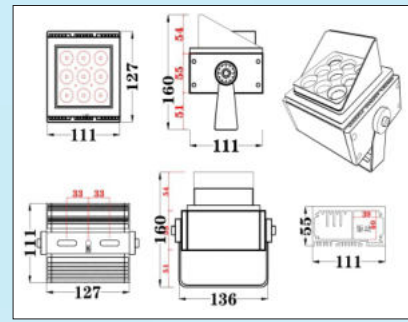
Small Number



Built-in power box: 40\*40\*110mm

### 111 Small Light Cube 4 Beads Large Lens

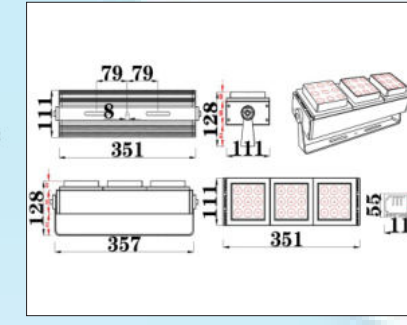
Shell Material:	Aluminum Alloy	
Aluminum substrate size:	72*72mm	
Single color high voltage 3535 light board:	G L-20670 4P-12W	-4C1B 72X72MM
Single color high voltage 3535 light board:	G L-20393 9P-18W	-9C1B 72X72MM
Outer box size a (cm)	68*34.5*31.5(20 pieces per box)	
Profile radiator weight:	0.6KG	



Built-in power box: 40\*40\*110mm

### 111 Small Light Cube 9 Beads Oblique Mouth

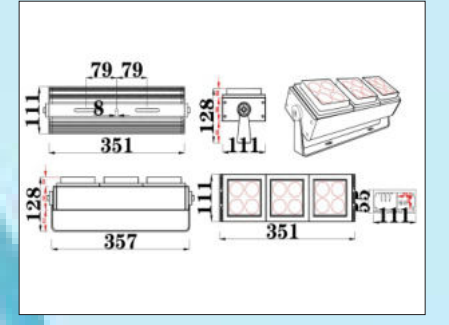
Shell Material:	Aluminum Alloy	
Aluminum substrate size:	72*72mm	
Single color high voltage 3535 light board:	G L-20670 4P-12W	-4C1B 72X72MM
Single color high voltage 3535 light board:	G L-20393 9P-18W	-9C1B 72X72MM
Outer box size a (cm)	68*34.5*31.5(20 pieces per box)	
Profile radiator weight:	0.6KG	



Built-in power box: 40\*40\*110mm

### 111 Small Light Cube 27 Beads Flat

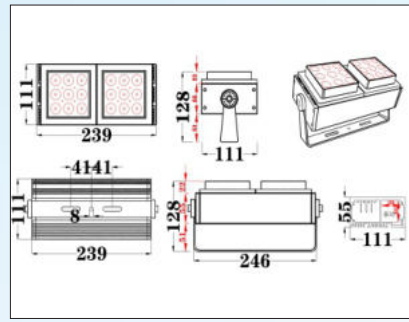
Shell Material:	Aluminum Alloy	
Aluminum substrate size:	72*72mm	
Single color high voltage 3535 light board:	G L-20670 4P-12W	-4C1B 72X72MM
Single color high voltage 3535 light board:	G L-20393 9P-18W	-9C1B 72X72MM
Outer box size a (cm)		
Profile radiator weight:	1.8KG	



Built-in power box: 40\*40\*110mm

### 111 Small Cube 12 Bead Large Lens Flat Mouth

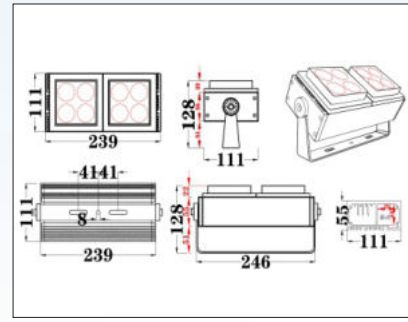
Shell Material:	Aluminum Alloy	
Aluminum substrate size:	72*72mm	
Single color high voltage 3535 light board:	G L-20670 4P-12W	-4C1B 72X72MM
Single color high voltage 3535 light board:	G L-20393 9P-18W	-9C1B 72X72MM
Outer box size a (cm)		
Profile radiator weight:	1.8KG	



Built-in power box: 40\*40\*110mm

### 111 Small Light Cube 18 Beads Flat

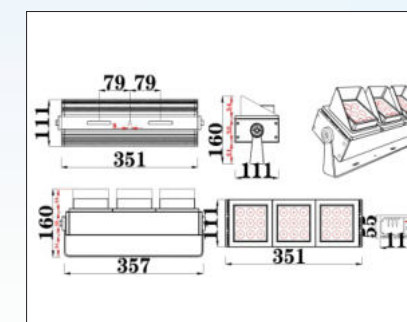
Shell Material:	Aluminum Alloy	
Aluminum substrate size:	72*72mm	
Single color high voltage 3535 light board:	G L-20670 4P-12W	-4C1B 72X72MM
Single color high voltage 3535 light board:	G L-20393 9P-18W	-9C1B 72X72MM
Outer box size a (cm)		
Profile radiator weight:	1.2KG	



Built-in power box: 40\*40\*110mm

### 111 Small Light Cube 8 Beads Large Lens Flat Mouth

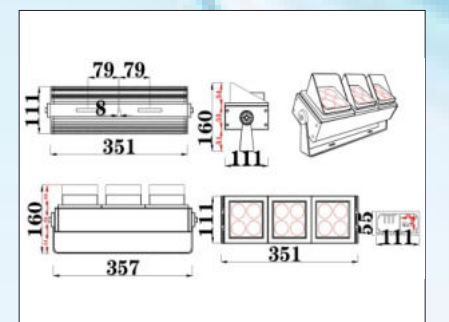
Shell Material:	Aluminum Alloy	
Aluminum substrate size:	72*72mm	
Single color high voltage 3535 light board:	G L-20670 4P-12W	-4C1B 72X72MM
Single color high voltage 3535 light board:	G L-20393 9P-18W	-9C1B 72X72MM
Outer box size a (cm)		
Profile radiator weight:	1.2KG	



Built-in power box: 40\*40\*110mm

### 111 Small Light Cube 27 Beads Oblique Mouth

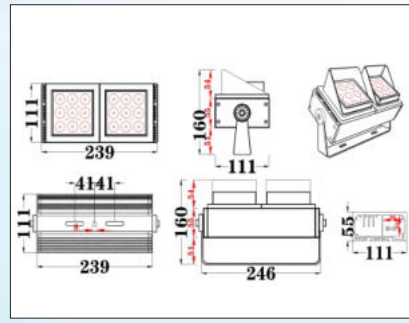
Shell Material:	Aluminum Alloy	
Aluminum substrate size:	72*72mm	
Single color high voltage 3535 light board:	G L-20670 4P-12W	-4C1B 72X72MM
Single color high voltage 3535 light board:	G L-20393 9P-18W	-9C1B 72X72MM
Outer box size a (cm)		
Profile radiator weight:	1.8KG	



Built-in power box: 40\*40\*110mm

### 111 Small Light Cube 12 Beads Large Lens Bevel

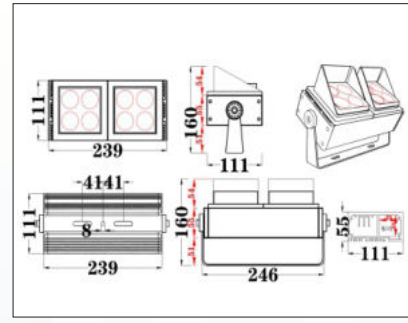
Shell Material:	Aluminum Alloy	
Aluminum substrate size:	72*72mm	
Single color high voltage 3535 light board:	G L-20670 4P-12W	-4C1B 72X72MM
Single color high voltage 3535 light board:	G L-20393 9P-18W	-9C1B 72X72MM
Outer box size a (cm)		
Profile radiator weight:	1.8KG	



Built-in power box: 40\*40\*110mm

### 111 Small Light Cube 18 Beads Oblique Mouth

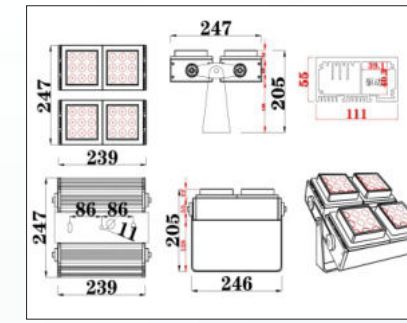
Shell Material:	Aluminum Alloy	
Aluminum substrate size:	72*72mm	
Single color high voltage 3535 light board:	G L-20670 4P-12W	-4C1B 72X72MM
Single color high voltage 3535 light board:	G L-20393 9P-18W	-9C1B 72X72MM
Outer box size a (cm)		
Profile radiator weight:	1.2KG	



Built-in power box: 40\*40\*110mm

### 111 Small Light Cube 8 Beads Large Lens Bevel

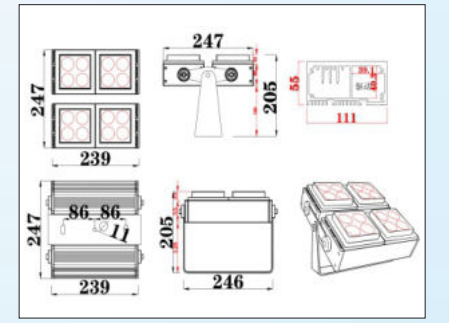
Shell Material:	Aluminum Alloy	
Aluminum substrate size:	72*72mm	
Single color high voltage 3535 light board:	G L-20670 4P-12W	-4C1B 72X72MM
Single color high voltage 3535 light board:	G L-20393 9P-18W	-9C1B 72X72MM
Outer box size a (cm)		
Profile radiator weight:	1.2KG	



Built-in power box: 40\*40\*110mm

### 111 Small Light Cube 36 Beads Flat

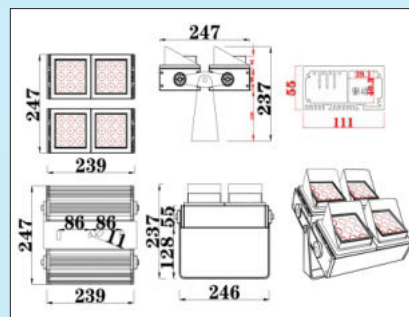
Shell Material:	Aluminum Alloy	
Aluminum substrate size:	72*72mm	
Single color high voltage 3535 light board:	G L-20670 4P-12W	-4C1B 72X72MM
Single color high voltage 3535 light board:	G L-20393 9P-18W	-9C1B 72X72MM
Outer box size a (cm)		
Profile radiator weight:	2.4KG	



Built-in power box: 40\*40\*110mm

### 111 Small Light Cube 16 Beads Large Lens Flat Mouth

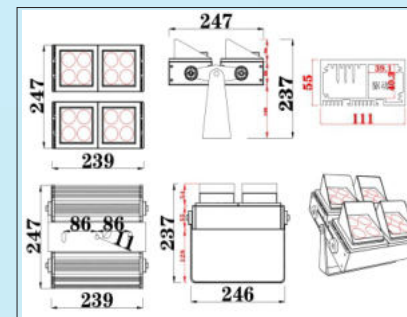
Shell Material:	Aluminum Alloy	
Aluminum substrate size:	72*72mm	
Single color high voltage 3535 light board:	G L-20670 4P-12W	-4C1B 72X72MM
Single color high voltage 3535 light board:	G L-20393 9P-18W	-9C1B 72X72MM
Outer box size a (cm)		
Profile radiator weight:	2.4KG	



Built-in power box: 40\*40\*110mm

### 111 Small Light Cube 36 Beads Oblique Mouth

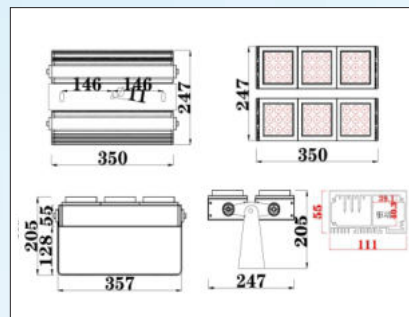
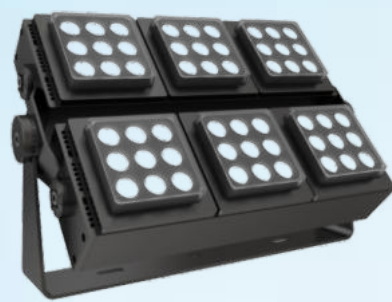
Shell Material:	Aluminum Alloy
Aluminum substrate size:	72*72mm
Single color high voltage 3535 light board:	G L-20670 4P-12W -4C1B 72X72MM
Single color high voltage 3535 light board:	G L-20393 9P-18W -9C1B 72X72MM
Outer box size (cm)	
Profile radiator weight:	2.4KG



Built-in power box: 40\*40\*110mm

### 111 Small Light Cube 16 Beads Large Lens Bevel

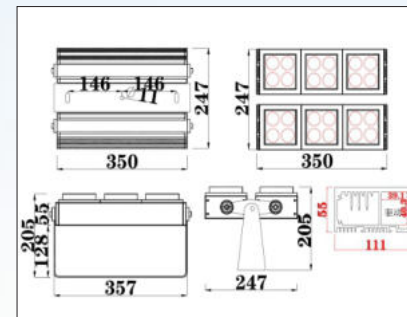
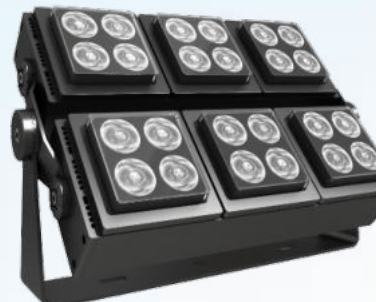
Shell Material:	Aluminum Alloy
Aluminum substrate size:	72*72mm
Single color high voltage 3535 light board:	G L-20670 4P-12W -4C1B 72X72MM
Single color high voltage 3535 light board:	G L-20393 9P-18W -9C1B 72X72MM
Outer box size (cm)	
Profile radiator weight:	2.4KG



Built-in power box: 40\*40\*110mm

### 111 Small Light Cube 54 Beads Flat

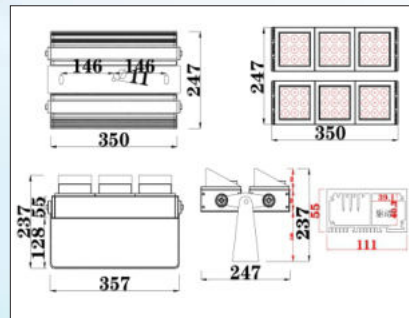
Shell Material:	Aluminum Alloy
Aluminum substrate size:	72*72mm
Single color high voltage 3535 light board:	G L-20670 4P-12W -4C1B 72X72MM
Single color high voltage 3535 light board:	G L-20393 9P-18W -9C1B 72X72MM
Outer box size (cm)	
Profile radiator weight:	3.6KG



Built-in power box: 40\*40\*110mm

### 111 Small Light Cube 24 Beads Large Lens

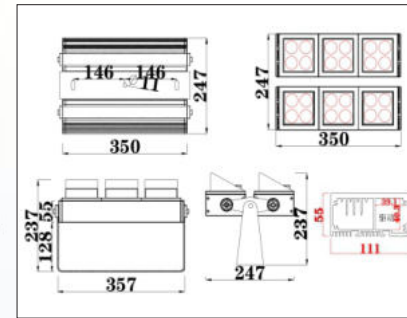
Shell Material:	Aluminum Alloy
Aluminum substrate size:	72*72mm
Single color high voltage 3535 light board:	G L-20670 4P-12W -4C1B 72X72MM
Single color high voltage 3535 light board:	G L-20393 9P-18W -9C1B 72X72MM
Outer box size (cm)	
Profile radiator weight:	3.6KG



Built-in power box: 40\*40\*110mm

### 111 Small Light Cube 54 Beads Oblique Mouth

Shell Material:	Aluminum Alloy
Aluminum substrate size:	72*72mm
Single color high voltage 3535 light board:	G L-20670 4P-12W -4C1B 72X72MM
Single color high voltage 3535 light board:	G L-20393 9P-18W -9C1B 72X72MM
Outer box size (cm)	
Profile radiator weight:	3.6KG



Built-in power box: 40\*40\*110mm

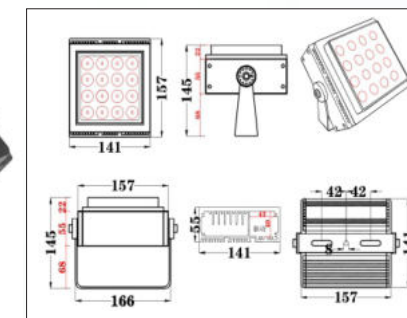
### 111 Small Light Cube 24 Beads Large Lens Bevel

Shell Material:	Aluminum Alloy
Aluminum substrate size:	72*72mm
Single color high voltage 3535 light board:	G L-20670 4P-12W -4C1B 72X72MM
Single color high voltage 3535 light board:	G L-20393 9P-18W -9C1B 72X72MM
Outer box size (cm)	
Profile radiator weight:	3.6KG

# Light Cube system List

middle Number

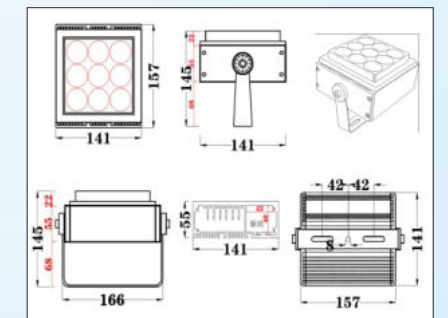
Medium Light Cube Series



Built-in power box: 43\*40\*141mm

### 141 Medium Light Cube 16 Beads Flat Mouth

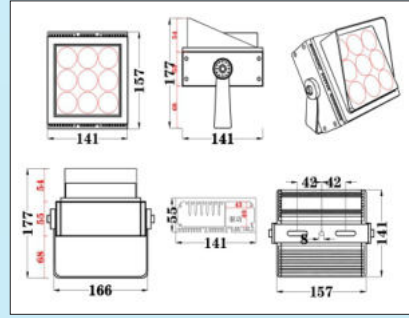
Shell Material:	Aluminum Alloy
Aluminum substrate size:	102*102mm
Single color high voltage 3535 light board:	G L20389 9P-27W -9C1B 102 X102MM
Single color high voltage 3535 light board:	G L-20396 16P-24W -8C2B 102X102MM
Outer box size (cm)	69*39.3*36.8(20 pieces per box)
Profile radiator weight:	0.9KG



Built-in power box: 43\*40\*141mm

### 141 Medium Light Cube 9-bead Large Lens Flat Mouth

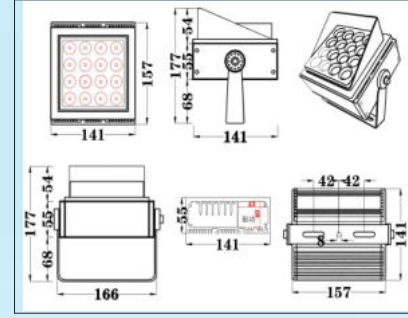
Shell Material:	Aluminum Alloy
Aluminum substrate size:	102*102mm
Single color high voltage 3535 light board:	G L20389 9P-27W -9C1B 102 X102MM
Single color high voltage 3535 light board:	G L-20396 16P-24W -8C2B 102X102MM
Outer box size (cm)	69*39.3*36.8(20 pieces per box)
Profile radiator weight:	0.9KG



Built-in power box: 43\*40\*141mm

### 141 Medium Light Cube 9-bead Large Lens Bevel

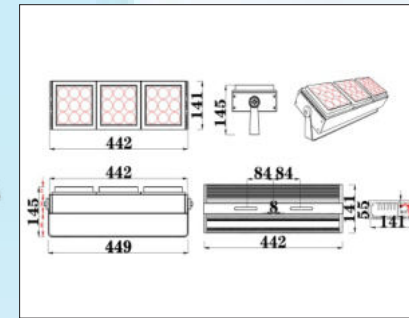
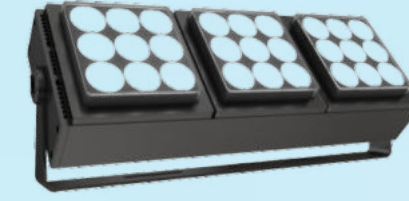
Shell Material:	Aluminum Alloy
Aluminum substrate size:	102*102mm
Single color high voltage 3535 light board:	G 120389 9P-27W -9C1B 102 X102MM
Single color high voltage 3535 light board:	G L-20396 16P-24W -8C2B 102X102MM
Outer box size (cm)	69*39.3*36.8(20 pieces per box)
Profile radiator weight:	0.9KG



Built-in power box: 43\*40\*141mm

### 141 Medium Light Cube 16 Beads Oblique Mouth

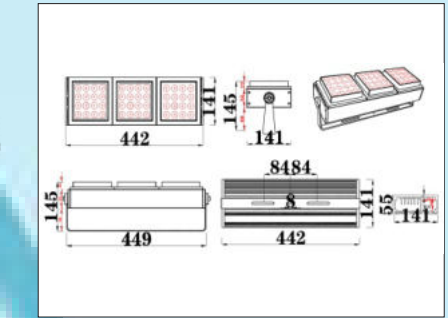
Shell Material:	Aluminum Alloy
Aluminum substrate size:	102*102mm
Single color high voltage 3535 light board:	G 120389 9P-27W -9C1B 102 X102MM
Single color high voltage 3535 light board:	G L-20396 16P-24W -8C2B 102X102MM
Outer box size (cm)	69*39.3*36.8(20 pieces per box)
Profile radiator weight:	0.9KG



Built-in power box: 43\*40\*280mm

### 141 Medium Light Cube 27 Bead Large Lens Flat Mouth

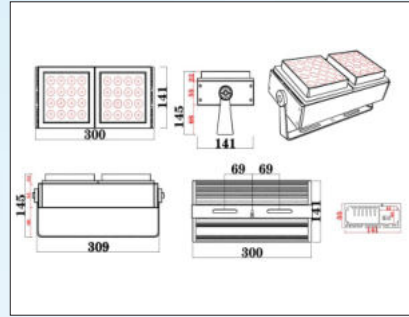
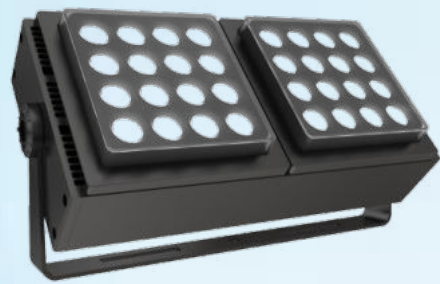
Shell Material:	Aluminum Alloy
Aluminum substrate size:	102*102mm
Single color high voltage 3535 light board:	G 120389 9P-27W -9C1B 102 X102MM
Single color high voltage 3535 light board:	G L-20396 16P-24W -8C2B 102X102MM
Outer box size (cm)	69*39.3*36.8(8 pieces per box)
Profile radiator weight:	2.7KG



Built-in power box: 43\*40\*420mm

### 141 Medium Light Cube 48 Beads Flat Mouth

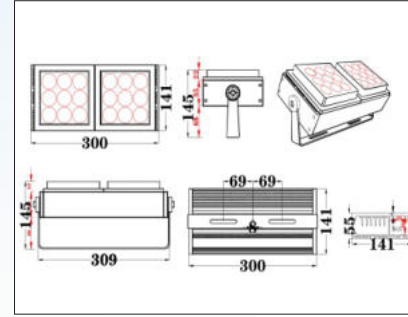
Shell Material:	Aluminum Alloy
Aluminum substrate size:	102*102mm
Single color high voltage 3535 light board:	G 120389 9P-27W -9C1B 102 X102MM
Single color high voltage 3535 light board:	G L-20396 16P-24W -8C2B 102X102MM
Outer box size (cm)	69*39.3*36.8(8 pieces per box)
Profile radiator weight:	0.9KG



Built-in power box: 43\*40\*280mm

### 141 Medium Light Cube 32 Beads Flat Mouth

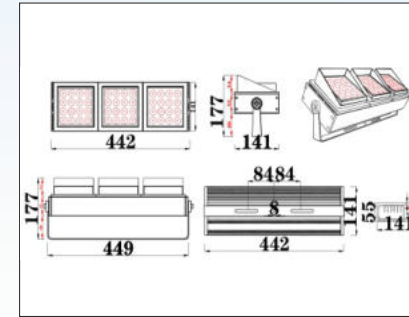
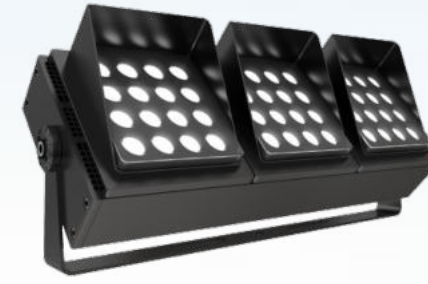
Shell Material:	Aluminum Alloy
Aluminum substrate size:	102*102mm
Single color high voltage 3535 light board:	G 120389 9P-27W -9C1B 102 X102MM
Single color high voltage 3535 light board:	G L-20396 16P-24W -8C2B 102X102MM
Outer box size (cm)	69*39.3*36.8(8 pieces per box)
Profile radiator weight:	1.8KG



Built-in power box: 43\*40\*280mm

### 141 medium light cube 18-bead large lens flat mouth

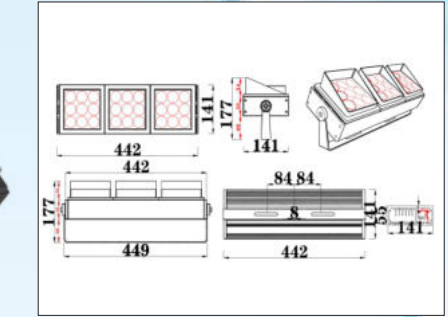
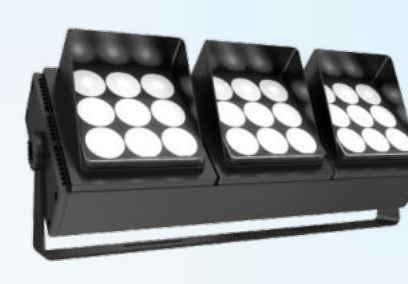
Shell Material:	Aluminum Alloy
Aluminum substrate size:	102*102mm
Single color high voltage 3535 light board:	G 120389 9P-27W -9C1B 102 X102MM
Single color high voltage 3535 light board:	G L-20396 16P-24W -8C2B 102X102MM
Outer box size (cm)	69*39.3*36.8(8 pieces per box)
Profile radiator weight:	1.8KG



Built-in power box: 43\*40\*420mm

### 141 Medium Light Cube 48 Beads Oblique Mouth

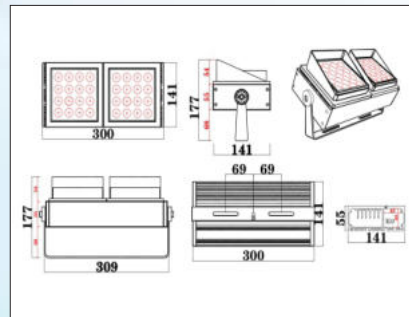
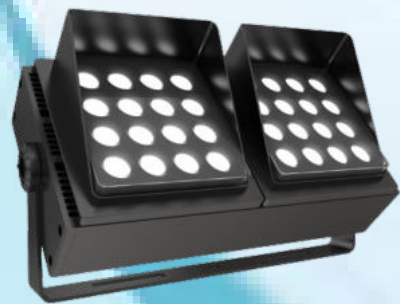
Shell Material:	Aluminum Alloy
Aluminum substrate size:	102*102mm
Single color high voltage 3535 light board:	G 120389 9P-27W -9C1B 102 X102MM
Single color high voltage 3535 light board:	G L-20396 16P-24W -8C2B 102X102MM
Outer box size (cm)	69*39.3*36.8(8 pieces per box)
Profile radiator weight:	2.7KG



Built-in power box: 43\*40\*420mm

### 141 Medium Light Cube 27 Beads Large Lens Bevel

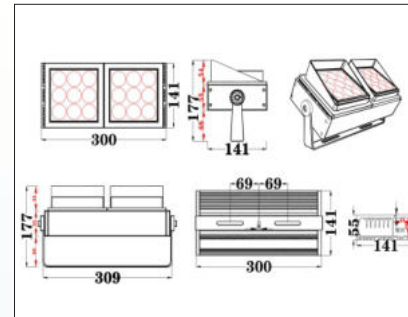
Shell Material:	Aluminum Alloy
Aluminum substrate size:	102*102mm
Single color high voltage 3535 light board:	G 120389 9P-27W -9C1B 102 X102MM
Single color high voltage 3535 light board:	G L-20396 16P-24W -8C2B 102X102MM
Outer box size (cm)	69*39.3*36.8(8 pieces per box)
Profile radiator weight:	0.9KG



Built-in power box: 43\*40\*280mm

### 141 Medium Light Cube 32 Beads Oblique Mouth

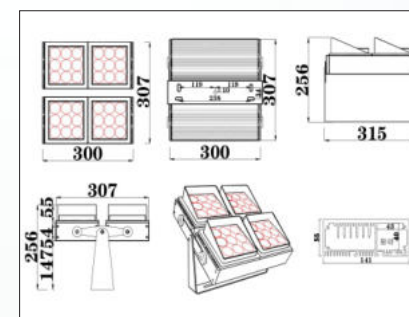
Shell Material:	Aluminum Alloy
Aluminum substrate size:	102*102mm
Single color high voltage 3535 light board:	G 120389 9P-27W -9C1B 102 X102MM
Single color high voltage 3535 light board:	G L-20396 16P-24W -8C2B 102X102MM
Outer box size (cm)	69*39.3*36.8(8 pieces per box)
Profile radiator weight:	1.8KG



Built-in power box: 43\*40\*280mm

### 141 Medium Light Cube 18 Bead Large Lens Bevel

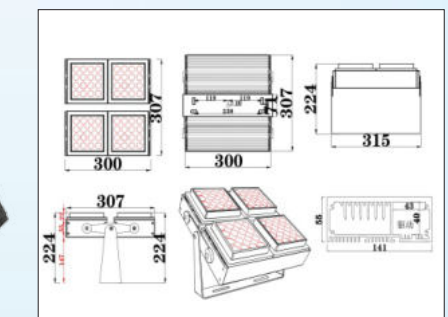
Shell Material:	Aluminum Alloy
Aluminum substrate size:	102*102mm
Single color high voltage 3535 light board:	G 120389 9P-27W -9C1B 102 X102MM
Single color high voltage 3535 light board:	G L-20396 16P-24W -8C2B 102X102MM
Outer box size (cm)	69*39.3*36.8(8 pieces per box)
Profile radiator weight:	1.8KG



Built-in power box: 43\*40\*280mm

### 145 Medium Economic Light Cube 36 Bead Large Lens Flat Mouth

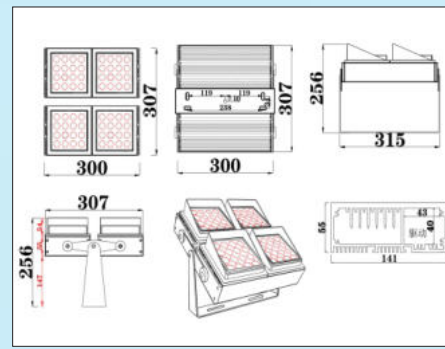
Shell Material:	Aluminum Alloy
Aluminum substrate size:	102*102mm
Single color high voltage 3535 light board:	G 120389 9P-27W -9C1B 102 X102MM
Single color high voltage 3535 light board:	G L-20396 16P-24W -8C2B 102X102MM
Outer box size (cm)	69*39.3*36.8(8 pieces per box)
Profile radiator weight:	3.6KG



Built-in power box: 43\*40\*280mm

### 145 Medium Economic Light Cube 64 Beads Flat Mouth

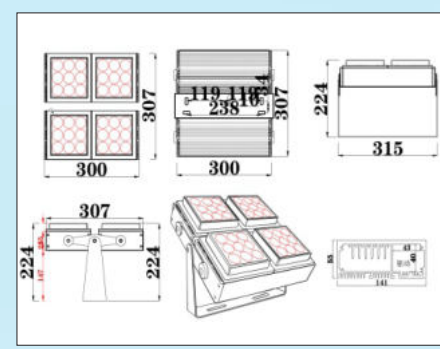
Shell Material:	Aluminum Alloy
Aluminum substrate size:	102*102mm
Single color high voltage 3535 light board:	G 120389 9P-27W -9C1B 102 X102MM
Single color high voltage 3535 light board:	G L-20396 16P-24W -8C2B 102X102MM
Outer box size (cm)	69*39.3*36.8(8 pieces per box)
Profile radiator weight:	3.6KG



Built-in power box: 43\*40\*280mm

### 145 Medium Economic Light Cube 96 Beads Oblique Mouth

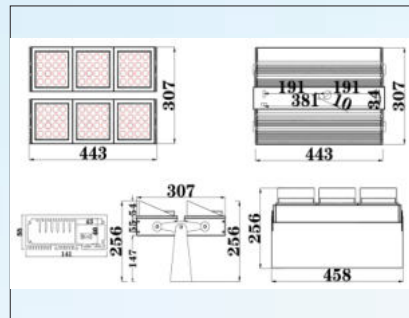
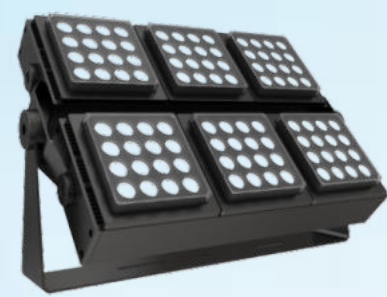
Shell Material:	Aluminum Alloy
Aluminum substrate size:	102*102mm
Single color high voltage 3535 light board:	G 120389 9P-27W -9C1B 102 X102MM
Single color high voltage 3535 light board:	G L-20396 16P-24W -8C2B 102X102MM
Outer box size (cm)	69*39.3*36.8(8 pieces per box)
Profile radiator weight:	3.6KG



Built-in power box: 43\*40\*420mm

### 141 Medium Light Cube 36 Beads Oblique Mouth

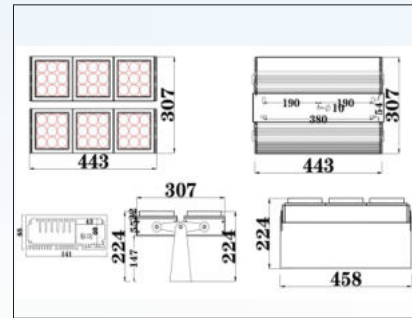
Shell Material:	Aluminum Alloy
Aluminum substrate size:	102*102mm
Single color high voltage 3535 light board:	G 120389 9P-27W -9C1B 102 X102MM
Single color high voltage 3535 light board:	G L-20396 16P-24W -8C2B 102X102MM
Outer box size (cm)	69*39.3*36.8(8 pieces per box)
Profile radiator weight:	3.6KG



Built-in power box: 43\*40\*420mm

### 141 Medium Light Cube 96 Beads Flat Mouth

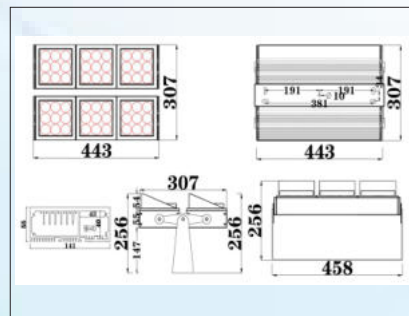
Shell Material:	Aluminum Alloy
Aluminum substrate size:	102*102mm
Single color high voltage 3535 light board:	G 120389 9P-27W -9C1B 102 X102MM
Single color high voltage 3535 light board:	G L-20396 16P-24W -8C2B 102X102MM
Outer box size (cm)	69*39.3*36.8(8 pieces per box)
Profile radiator weight:	5.4KG



Built-in power box: 43\*40\*420mm

### 141 Medium Light Cube 54 Bead Large Lens Flat Mouth

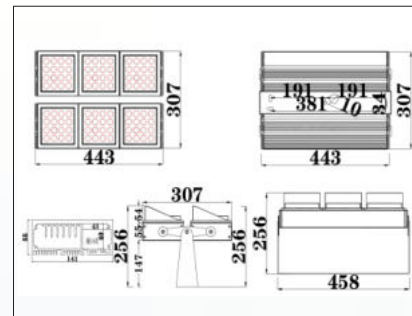
Shell Material:	Aluminum Alloy
Aluminum substrate size:	102*102mm
Single color high voltage 3535 light board:	G 120389 9P-27W -9C1B 102 X102MM
Single color high voltage 3535 light board:	G L-20396 16P-24W -8C2B 102X102MM
Outer box size (cm)	69*39.3*36.8(8 pieces per box)
Profile radiator weight:	5.4KG



Built-in power box: 43\*40\*420mm

### 141 Medium Light Cube 54 Beads Large Lens Bevel

Shell Material:	Aluminum Alloy
Aluminum substrate size:	102*102mm
Single color high voltage 3535 light board:	G 120389 9P-27W -9C1B 102 X102MM
Single color high voltage 3535 light board:	G L-20396 16P-24W -8C2B 102X102MM
Outer box size (cm)	69*39.3*36.8(8 pieces per box)
Profile radiator weight:	5.4KG



Built-in power box: 43\*40\*420mm

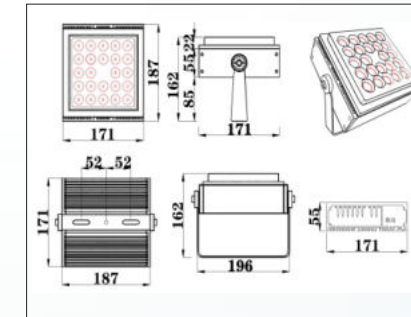
### 141 Medium Light Cube 96 Beads Oblique Mouth

Shell Material:	Aluminum Alloy
Aluminum substrate size:	102*102mm
Single color high voltage 3535 light board:	G 120389 9P-27W -9C1B 102 X102MM
Single color high voltage 3535 light board:	G L-20396 16P-24W -8C2B 102X102MM
Outer box size (cm)	69*39.3*36.8(8 pieces per box)
Profile radiator weight:	5.4KG

# Light Cube system List

big Number

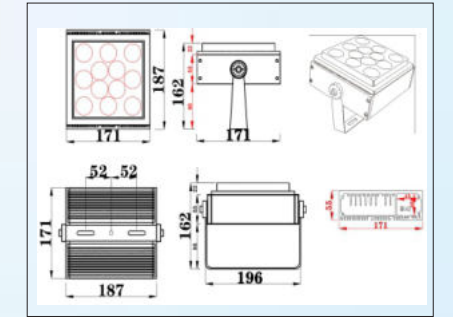
## Large Light Cube Series



Built-in power box: 40\*43\*171mm

### 171 Large Light Cube 24 Beads Flat Mouth

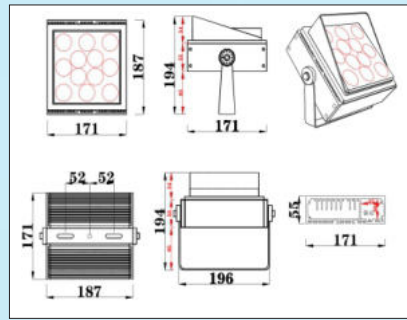
Shell Material:	Aluminum Alloy
Aluminum substrate size:	135*135mm
Single color high voltage 3535 light board:	G B M -21092 24W -XPE-2B12C-127X135MM
Single color high voltage 3535 light board:	L-20395 12P-36W -12C1B 135X135
Low voltage 3030 lamp board:	G L-21501 24W -3030-3C8B-DC24V
RG B RG BW Light plate:	12P-6C2B
Outer box size (cm)	68.5*23.3*43.2cm (10 pieces per box)
Profile radiator weight:	1.3KG



Built-in power box: 40\*43\*171mm

### 171 Large Light Cube 12 Beads Large Lens Flat Mouth

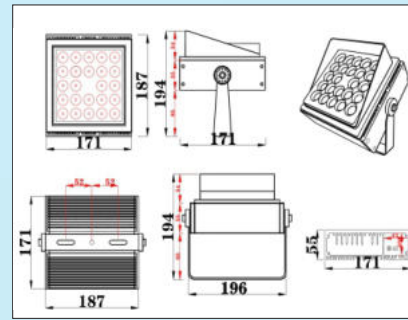
Shell Material:	Aluminum Alloy
Aluminum substrate size:	135*135mm
Single color high voltage 3535 light board:	G B M -21092 24W -XPE-2B12C-127X135MM
Single color high voltage 3535 light board:	L-20395 12P-36W -12C1B 135X135
Low voltage 3030 lamp board:	G L-21501 24W -3030-3C8B-DC24V
RG B RG BW Light plate:	12P-6C2B
Outer box size (cm)	68.5*23.3*43.2cm (10 pieces per box)
Profile radiator weight:	1.3KG



Built-in power box: 40\*43\*171mm

### 171 Large Light Cube 12 Beads Large Lens Bevel

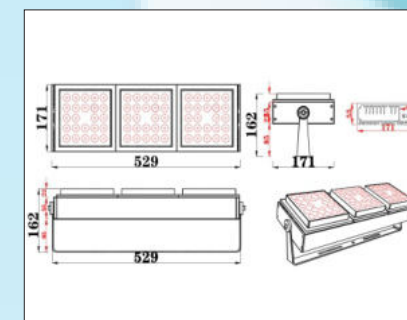
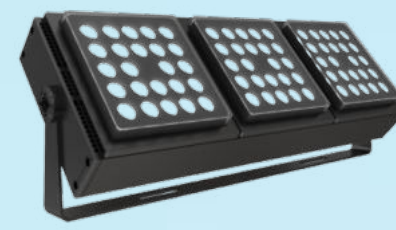
Shell Material:	Aluminum Alloy
Aluminum substrate size:	135*135mm
Single color high voltage 3535 light board:	G B M -21092 24W -XPE-2B12C-127X135MM
Single color high voltage 3535 light board:	L-20395 12P-36W -12C1B 135X135
Low voltage 3030 lamp board:	G L-21501 24W -3030-3C8B-DC24V
RG B RG BW Light plate:	12P-6C2B
Outer box size (cm)	68.5*23.3*43.2cm (10 pieces per box)
Profile radiator weight:	1.3KG



Built-in power box: 40\*43\*171mm

### 171 Large Light Cube 24 Beads Oblique Mouth

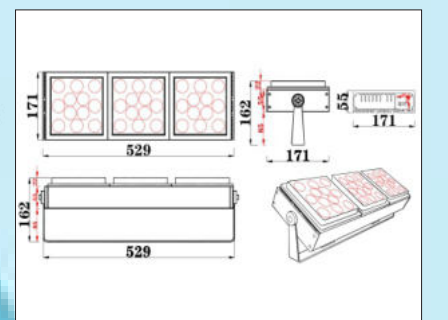
Shell Material:	Aluminum Alloy
Aluminum substrate size:	135*135mm
Single color high voltage 3535 light board:	G B M -21092 24W -XPE-2B12C-127X135MM
Single color high voltage 3535 light board:	L-20395 12P-36W -12C1B 135X135
Low voltage 3030 lamp board:	G L-21501 24W -3030-3C8B-DC24V
RG B RG BW Light plate:	12P-6C2B
Outer box size (cm)	68.5*23.3*43.2cm (10 pieces per box)
Profile radiator weight:	1.3KG



Built-in power box: 40\*43\*510mm

### 171 Large Light Cube 72 Bead Flat Mouth

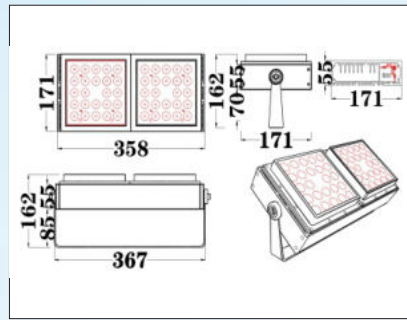
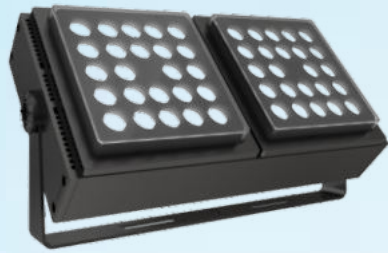
Shell Material:	Aluminum Alloy
Aluminum substrate size:	135*135mm
Single color high voltage 3535 light board:	G B M -21092 24W -XPE-2B12C-127X135MM
Single color high voltage 3535 light board:	L-20395 12P-36W -12C1B 135X135
Low voltage 3030 lamp board:	G L-21501 24W -3030-3C8B-DC24V
RG B RG BW Light plate:	12P-6C2B
Outer box size (cm)	
Profile radiator weight:	4KG



Built-in power box: 40\*43\*510mm

### 171 Large Light Cube 36 Beads Large Lens Flat Mouth

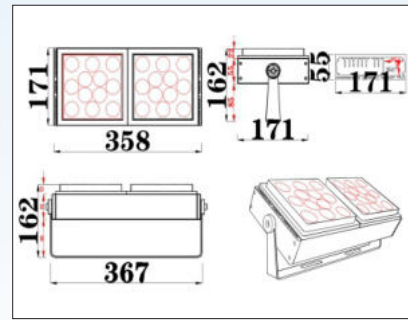
Shell Material:	Aluminum Alloy
Aluminum substrate size:	135*135mm
Single color high voltage 3535 light board:	G B M -21092 24W -XPE-2B12C-127X135MM
Single color high voltage 3535 light board:	L-20395 12P-36W -12C1B 135X135
Low voltage 3030 lamp board:	G L-21501 24W -3030-3C8B-DC24V
RG B RG BW Light plate:	12P-6C2B
Outer box size (cm)	
Profile radiator weight:	4KG



Built-in power box: 40\*43\*340mm

### 171 Large Light Cube 48 Beads Flat Mouth

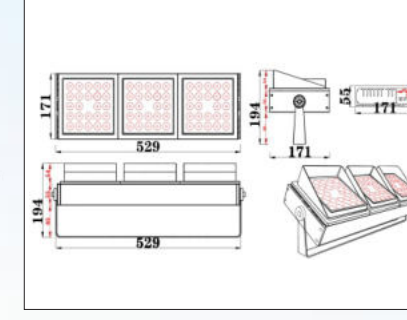
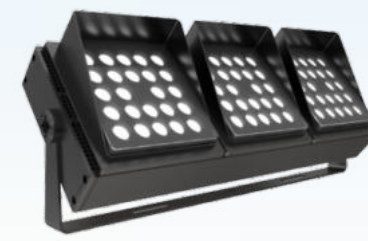
Shell Material:	Aluminum Alloy
Aluminum substrate size:	135*135mm
Single color high voltage 3535 light board:	G B M -21092 24W -XPE-2B12C-127X135MM
Single color high voltage 3535 light board:	L-20395 12P-36W -12C1B 135X135
Low voltage 3030 lamp board:	G L-21501 24W -3030-3C8B-DC24V
RG B RG BW Light plate:	12P-6C2B
Outer box size (cm)	41.5*41*43.8cm (6 pieces per box)
Profile radiator weight:	2.6KG



Built-in power box: 40\*43\*340mm

### 171 Large Light Cube 24 Beads Large Lens Flat Mouth

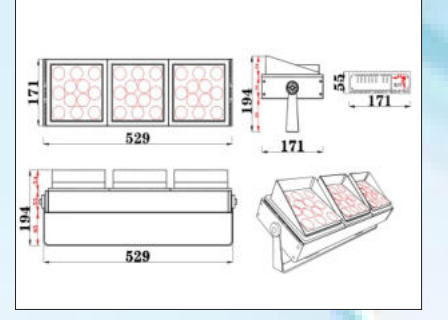
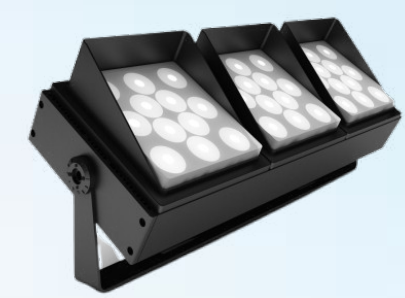
Shell Material:	Aluminum Alloy
Aluminum substrate size:	135*135mm
Single color high voltage 3535 light board:	G B M -21092 24W -XPE-2B12C-127X135MM
Single color high voltage 3535 light board:	L-20395 12P-36W -12C1B 135X135
Low voltage 3030 lamp board:	G L-21501 24W -3030-3C8B-DC24V
RG B RG BW Light plate:	12P-6C2B
Outer box size (cm)	41.5*41*43.8cm (6 pieces per box)
Profile radiator weight:	2.6KG



Built-in power box: 40\*43\*510mm

### 171 Large Light Cube 72 Beads Oblique Mouth

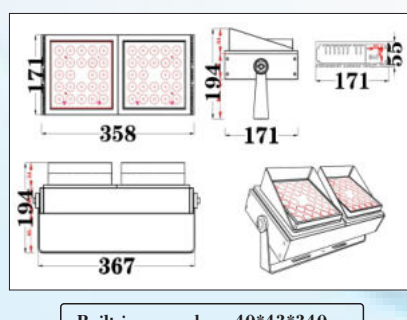
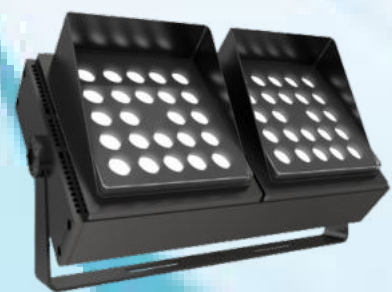
Shell Material:	Aluminum Alloy
Aluminum substrate size:	135*135mm
Single color high voltage 3535 light board:	G B M -21092 24W -XPE-2B12C-127X135MM
Single color high voltage 3535 light board:	L-20395 12P-36W -12C1B 135X135
Low voltage 3030 lamp board:	G L-21501 24W -3030-3C8B-DC24V
RG B RG BW Light plate:	12P-6C2B
Outer box size (cm)	
Profile radiator weight:	4KG



Built-in power box: 40\*43\*510mm

### 171 Large Light Cube 36 Beads Large Lens Bevel

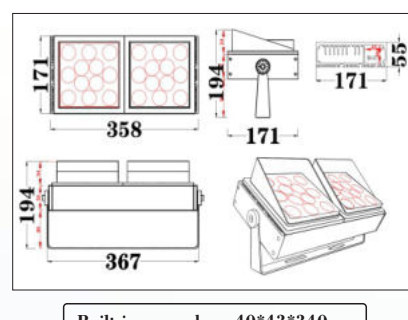
Shell Material:	Aluminum Alloy
Aluminum substrate size:	135*135mm
Single color high voltage 3535 light board:	G B M -21092 24W -XPE-2B12C-127X135MM
Single color high voltage 3535 light board:	L-20395 12P-36W -12C1B 135X135
Low voltage 3030 lamp board:	G L-21501 24W -3030-3C8B-DC24V
RG B RG BW Light plate:	12P-6C2B
Outer box size (cm)	
Profile radiator weight:	4KG



Built-in power box: 40\*43\*340mm

### 171 Large Light Cube 48 Beads Oblique Mouth

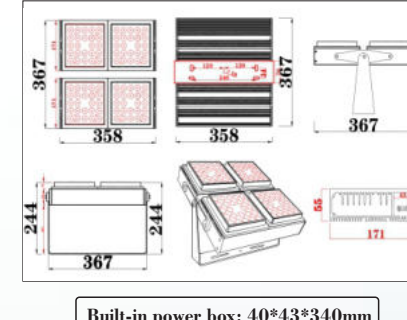
Shell Material:	Aluminum Alloy
Aluminum substrate size:	135*135mm
Single color high voltage 3535 light board:	G B M -21092 24W -XPE-2B12C-127X135MM
Single color high voltage 3535 light board:	L-20395 12P-36W -12C1B 135X135
Low voltage 3030 lamp board:	G L-21501 24W -3030-3C8B-DC24V
RG B RG BW Light plate:	12P-6C2B
Outer box size (cm)	41.5*41*43.8cm (6 pieces per box)
Profile radiator weight:	2.6KG



Built-in power box: 40\*43\*340mm

### 171 Large Light Cube 24 Beads Large Lens Bevel

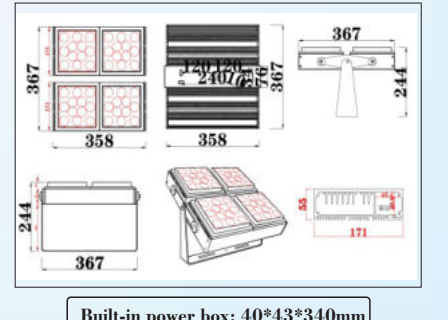
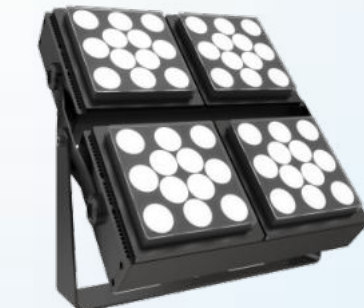
Shell Material:	Aluminum Alloy
Aluminum substrate size:	135*135mm
Single color high voltage 3535 light board:	G B M -21092 24W -XPE-2B12C-127X135MM
Single color high voltage 3535 light board:	L-20395 12P-36W -12C1B 135X135
Low voltage 3030 lamp board:	G L-21501 24W -3030-3C8B-DC24V
RG B RG BW Light plate:	12P-6C2B
Outer box size (cm)	41.5*41*43.8cm (6 pieces per box)
Profile radiator weight:	2.6KG



Built-in power box: 40\*43\*340mm

### 171 Large Light Cube 96 Beads Flat Mouth

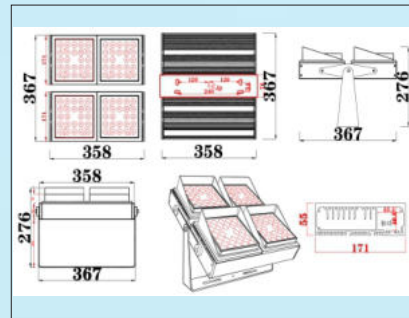
Shell Material:	Aluminum Alloy
Aluminum substrate size:	135*135mm
Single color high voltage 3535 light board:	G B M -21092 24W -XPE-2B12C-127X135MM
Single color high voltage 3535 light board:	L-20395 12P-36W -12C1B 135X135
Low voltage 3030 lamp board:	G L-21501 24W -3030-3C8B-DC24V
RG B RG BW Light plate:	12P-6C2B
Outer box size (cm)	
Profile radiator weight:	5.2KG



Built-in power box: 40\*43\*340mm

### 171 Large Light Cube 48 Bead Large Lens Flat Mouth

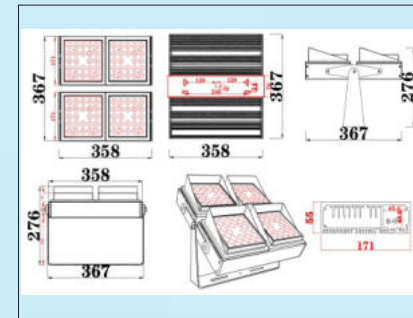
Shell Material:	Aluminum Alloy
Aluminum substrate size:	135*135mm
Single color high voltage 3535 light board:	G B M -21092 24W -XPE-2B12C-127X135MM
Single color high voltage 3535 light board:	L-20395 12P-36W -12C1B 135X135
Low voltage 3030 lamp board:	G L-21501 24W -3030-3C8B-DC24V
RG B RG BW Light plate:	12P-6C2B
Outer box size (cm)	
Profile radiator weight:	5.2KG



Built-in power box: 40\*43\*340mm

### 171 Large Light Cube 96 Beads Oblique Mouth

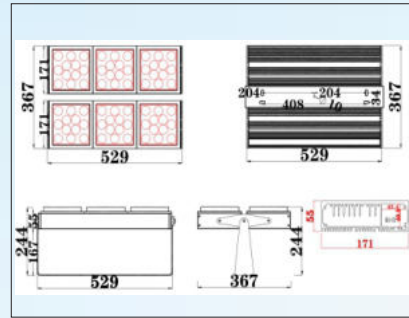
Shell Material:	Aluminum Alloy
Aluminum substrate size:	135*135mm
Single color high voltage 3535 light board:	G B M -21092 24W -XPE-2B12C-127X135MM
Single color high voltage 3535 light board:	L-20395 12P-36W -12C1B 135X135
Low voltage 3030 lamp board:	G L-21501 24W -3030-3C8B-DC24V
RG B RG BW Light plate:	12P-6C2B
Outer box size (cm)	
Profile radiator weight:	5.2KG



Built-in power box: 40\*43\*340mm

### 171 Large Light Cube 48 Beads Large Lens Bevel

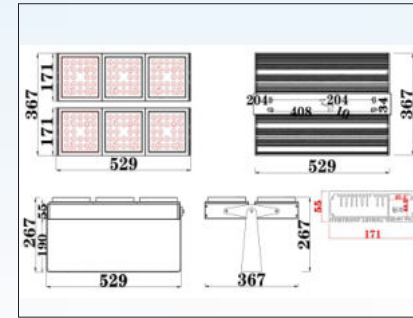
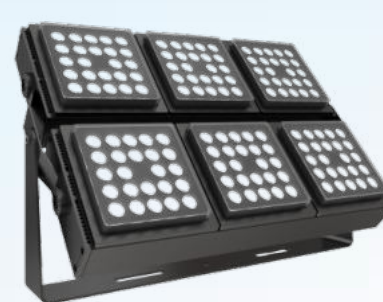
Shell Material:	Aluminum Alloy
Aluminum substrate size:	135*135mm
Single color high voltage 3535 light board:	G B M -21092 24W -XPE-2B12C-127X135MM
Single color high voltage 3535 light board:	L-20395 12P-36W -12C1B 135X135
Low voltage 3030 lamp board:	G L-21501 24W -3030-3C8B-DC24V
RG B RG BW Light plate:	12P-6C2B
Outer box size (cm)	
Profile radiator weight:	5.2KG



Built-in power box: 40\*43\*510mm

### 171 Large Light Cube 72 Bead Large Lens Flat Mouth

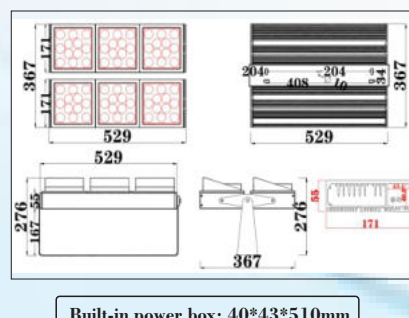
Shell Material:	Aluminum Alloy
Aluminum substrate size:	135*135mm
Single color high voltage 3535 light board:	G B M -21092 24W -XPE-2B12C-127X135MM
Single color high voltage 3535 light board:	L-20395 12P-36W -12C1B 135X135
Low voltage 3030 lamp board:	G L-21501 24W -3030-3C8B-DC24V
RG B RG BW Light plate:	12P-6C2B
Outer box size (cm)	
Profile radiator weight:	5.2KG



Built-in power box: 40\*43\*510mm

### 171 Large Light Cube 144 Beads Flat Mouth

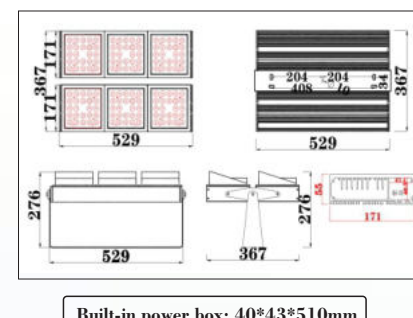
Shell Material:	Aluminum Alloy
Aluminum substrate size:	135*135mm
Single color high voltage 3535 light board:	G B M -21092 24W -XPE-2B12C-127X135MM
Single color high voltage 3535 light board:	L-20395 12P-36W -12C1B 135X135
Low voltage 3030 lamp board:	G L-21501 24W -3030-3C8B-DC24V
RG B RG BW Light plate:	12P-6C2B
Outer box size (cm)	
Profile radiator weight:	7.8KG



Built-in power box: 40\*43\*510mm

### 171 Large Light Cube 72 Beads Large Lens Bevel

Shell Material:	Aluminum Alloy
Aluminum substrate size:	135*135mm
Single color high voltage 3535 light board:	G B M -21092 24W -XPE-2B12C-127X135MM
Single color high voltage 3535 light board:	L-20395 12P-36W -12C1B 135X135
Low voltage 3030 lamp board:	G L-21501 24W -3030-3C8B-DC24V
RG B RG BW Light plate:	12P-6C2B
Outer box size (cm)	
Profile radiator weight:	7.8KG



Built-in power box: 40\*43\*510mm

### 171 Large Light Cube 144 Beads Oblique Mouth

Shell Material:	Aluminum Alloy
Aluminum substrate size:	135*135mm
Single color high voltage 3535 light board:	G B M -21092 24W -XPE-2B12C-127X135MM
Single color high voltage 3535 light board:	L-20395 12P-36W -12C1B 135X135
Low voltage 3030 lamp board:	G L-21501 24W -3030-3C8B-DC24V
RG B RG BW Light plate:	12P-6C2B
Outer box size (cm)	
Profile radiator weight:	7.8KG

# Light Cube system List

Medium Light Cube Series

special big Number



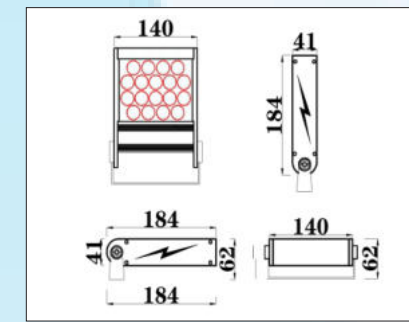






# lightning system List

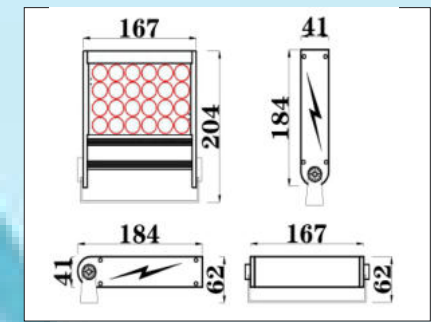
Scorpio series



Built-in power box: 37\*37\*126mm

## 140 Lightning 18 Beads

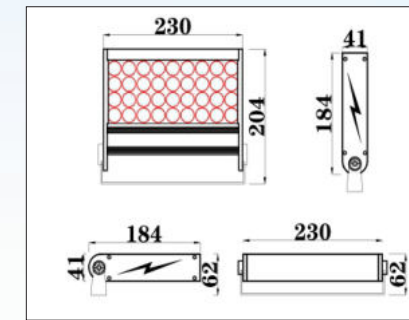
Shell Material:	Aluminum Alloy
Aluminum substrate size:	96*126mm
Single color high voltage 3030 light board:	18*1W (9 series and 2 parallel)
Single color low voltage 3030 light board:	18*1W(3 series and 6 parallel)
Outer box size (cm)	57*26*36CM (20 pcs/box)
Profile radiator weight:	0.34KG



Built-in power box: 37\*38\*150mm

## 140 Lightning 24 Beads

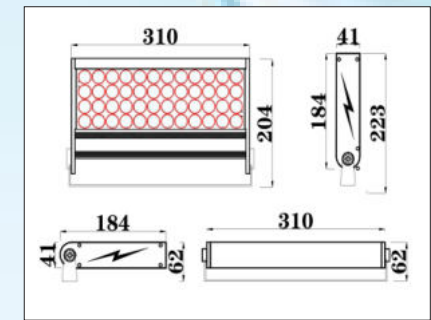
Shell Material:	Aluminum Alloy
Aluminum substrate size:	96*150mm
Single color high voltage 3030 light board:	24*1W (9 series and 2 parallel)
Single color low voltage 3030 light board:	24*1W (3 series and 6 parallel)
Outer box size (cm)	57*26*36CM (20 pcs/box)
Profile radiator weight:	0.5KG



Built-in power box: 37\*37\*220mm

## 140 Lightning 36 Beads

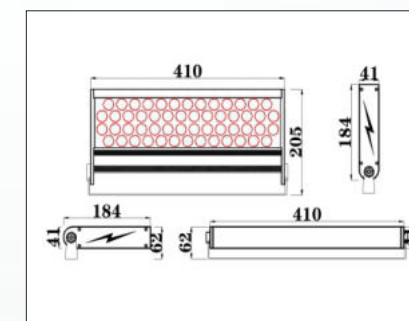
Shell Material:	Aluminum Alloy
Aluminum substrate size:	96*220mm
Single color high voltage 3030 light board:	36*1W (18 in series and 2 in parallel)
Single color low voltage 3030 light board:	36*1W (12 in series and 3 in parallel)
Outer box size (cm)	44*42*31CM (1 12)
Profile radiator weight:	0.77KG



Built-in power box: 37\*38\*290mm

## 140 Lightning 48 Beads

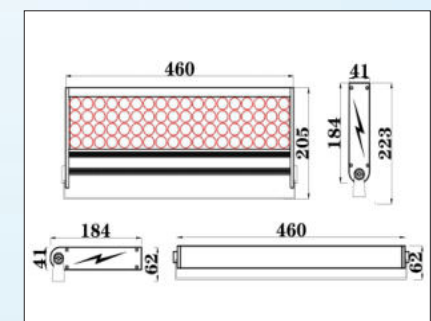
Shell Material:	Aluminum Alloy
Aluminum substrate size:	96*290mm
Single color high voltage 3030 light board:	48*1W (12 in series and 4 in parallel)
Single color low voltage 3030 light board:	48*1W (16 in series and 3 in parallel)
Outer box size (cm)	40*35*25CM (8 pieces per box)
Profile radiator weight:	1KG



Built-in power box: 37\*37\*400mm

## 140 Lightning 54 Beads

Shell Material:	Aluminum Alloy
Aluminum substrate size:	96*400mm
Single color high voltage 3030 light board:	54*1W (18 in series and 2 in parallel)
Outer box size (cm)	45*39.5*25CM (8 pieces per box)
Profile radiator weight:	1.4KG



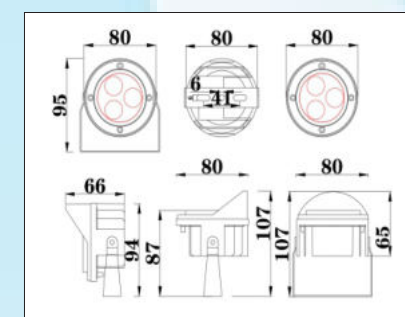
Built-in power box: 37\*38\*450mm

## 140 Lightning 54 Beads

Shell Material:	Aluminum Alloy
Aluminum substrate size:	96*450mm
Single color high voltage 3030 light board:	72*1W (18 in series and 2 in parallel)
Outer box size (cm)	51*38.5*43CM (10 pcs per box)
Profile radiator weight:	1.6KG

# Integrated lens blade system List

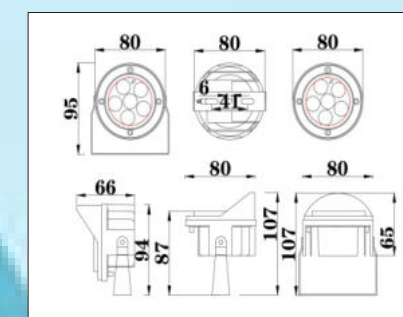
Integrated lens blade series



Built-in power box: 40\*18\*30mm

## 80 integrated lens blade 3 beads oblique mouth

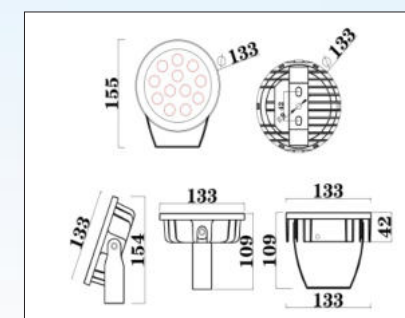
Shell Material:	Die-cast aluminum
Aluminum substrate size:	φ 50mm
Single color high voltage 3030 light board:	G L-M 3731 3W -3C1B 50MM
Single color low voltage 3030 light board:	M 3757 3W 3 C1B 50MM
RGB Light Board	M 30410 3W - 3C1B 50MM
Outer box size (cm)	42*33.6*24CM (30 pieces per box)
Profile radiator weight:	0.1KG



Built-in power box: 40\*18\*30mm

## 80 integrated lens blade 6 beads oblique mouth

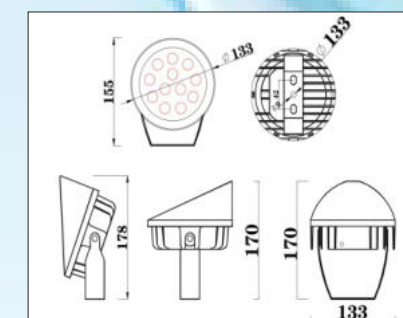
Shell Material:	Die-cast aluminum
Aluminum substrate size:	φ 50mm
Single color high voltage 3030 light board:	M 3742 3030 6W 2 B3C-50MM
Outer box size (cm)	42*33.6*24CM (30 pieces per box)
Profile radiator weight:	0.1KG



Built-in power box: 21\*74\*34mm

## 133 integrated lens blade 12 beads flat mouth

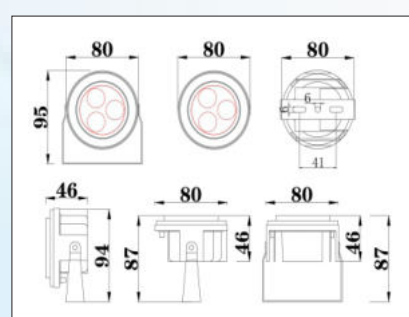
Shell Material:	Die-cast aluminum
Aluminum substrate size:	φ 96mm
Single color high voltage 3030 light board:	G L-M 3747 12P 3030 2B6C 96MM
Single color 3030 light board:	18P 3030 2B9C 96MM
Single color low voltage 3030 light board:	G L-M 3751 3030 12W 3C4B 96MM
RG B Light Board	12W 6C2B 96MM
Outer box size (cm)	45*39.5*25CM (20 pcs/box)
Profile radiator weight:	0.25KG



Built-in power box: 21\*74\*34mm

## 133 integrated lens blade 12 beads oblique mouth

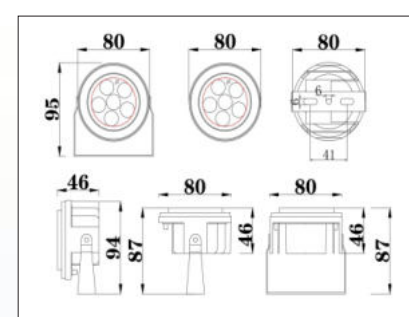
Shell Material:	Die-cast aluminum
Aluminum substrate size:	φ 96mm
Single color high voltage 3030 light board:	G L-M 3747 12P 3030 2B6C 96MM
Single color 3030 light board:	18P 3030 2B9C 96MM
Single color low voltage 3030 light board:	G L-M 3751 3030 12W 3C4B 96MM
RG B Light Board	12W 6C2B 96MM
Outer box size (cm)	45*39.5*25CM (20 pcs/box)
Profile radiator weight:	0.25KG



Built-in power box: 40\*18\*30mm

## 80 integrated lens blade 3 beads flat mouth

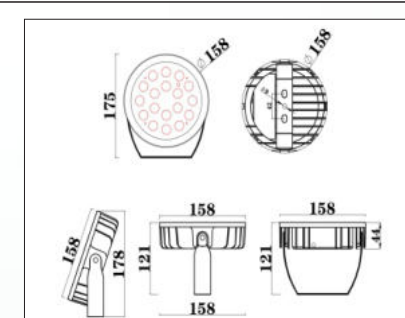
Shell Material:	Die-cast aluminum
Aluminum substrate size:	φ 50mm
Single color high voltage 3030 light board:	G L-M 3731 3W -3C1B 50MM
Single color low voltage 3030 light board:	M 3757 3W 3 C1B 50MM
RGB Light Board	M 30410 3W - 3C1B 50MM
Outer box size (cm)	42*33.6*24CM (30 pieces per box)
Profile radiator weight:	0.1KG



Built-in power box: 40\*18\*30mm

## 80 integrated lens blade 6 beads flat mouth

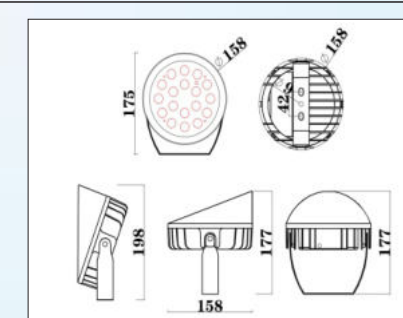
Shell Material:	Die-cast aluminum
Aluminum substrate size:	φ 50mm
Single color high voltage 3030 light board:	M 3742 3030 6W 2 B3C-50MM
Outer box size (cm)	42*33.6*24CM (30 pieces per box)
Profile radiator weight:	0.1KG



Built-in power box: 21\*74\*34mm

## 158 integrated lens blade 18 beads flat mouth

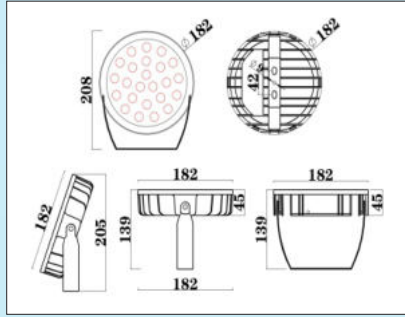
Shell Material:	Die-cast aluminum
Aluminum substrate size:	φ 120mm
Single color high voltage 3030 light board:	G L-M 3712A 18W -3030-2B9C 120MM
Single color 3030 light board:	24W -3030-2B12C-120MM
Single color low voltage 3030 light board:	G L-M 3756 18W -3030-3C6C-24V 120MM
RG B Light Board	18W 6 C3B 120MM
Outer box size (cm)	57*34.5*39.5CM (20 pcs/box)
Profile radiator weight:	0.35KG



Built-in power box: 24\*B4\*37mm

## 158 integrated lens blade 18 beads oblique mouth

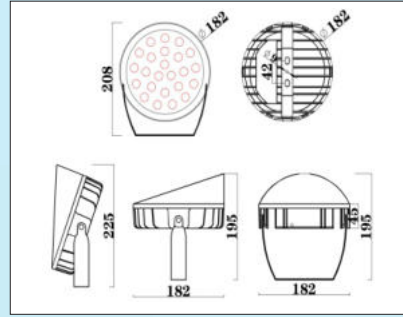
Shell Material:	Die-cast aluminum
Aluminum substrate size:	φ 120mm
Single color high voltage 3030 light board:	G L-M 3712A 18W -3030-2B9C 120MM
Single color 3030 light board:	24W -3030-2B12C-120MM
Single color low voltage 3030 light board:	G L-M 3756 18W -3030-3C6C-24V 120MM
RG B Light Board	18W 6 C3B 120MM
Outer box size (cm)	57*34.5*39.5CM (20 pcs/box)
Profile radiator weight:	0.35KG



Built-in power box: 29\*10\*37mm

### 182 one-piece lens blade 24 beads flat mouth

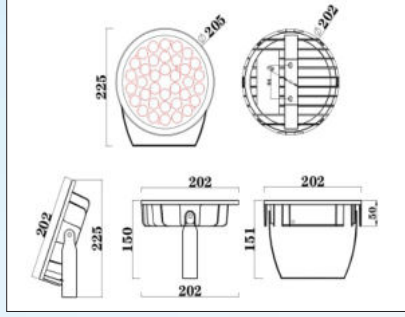
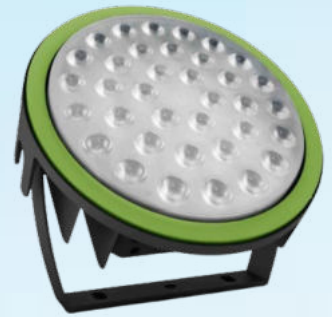
Shell Material:	Die-cast aluminum
Aluminum substrate size:	φ 146mm
Single color high voltage 3030 light board:	G L-M 3691A 24W -3030-2B12C 146MM
Single color high voltage 3030 light board:	36W -3030-2B18C-146MM
Single color low voltage 3030 light board:	G L-M 3758 24W -3030-3C8B-146MM
RG B Light Board	
Outer box size (cm)	61*39*22.5CM (10 pcs per box)
Profile radiator weight:	0.43KG



Built-in power box: 29\*10\*37mm

### 182 integrated lens blade 24 beads oblique mouth

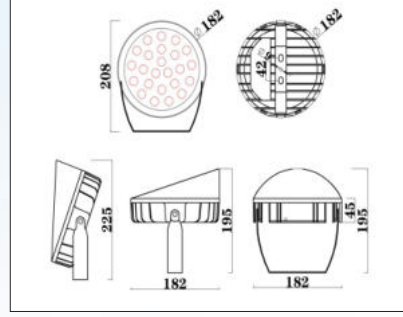
Shell Material:	Die-cast aluminum
Aluminum substrate size:	φ 146mm
Single color high voltage 3030 light board:	G L-M 3691A 24W -3030-2B12C 146MM
Single color high voltage 3030 light board:	36W -3030-2B18C-146MM
Single color low voltage 3030 light board:	G L-M 3758 24W -3030-3C8B-146MM
RG B Light Board	
Outer box size (cm)	61*39*22.5CM (10 pcs per box)
Profile radiator weight:	0.43KG



Built-in power box: 31\*120\*42mm

### 202 one-piece lens blade 36 beads flat mouth

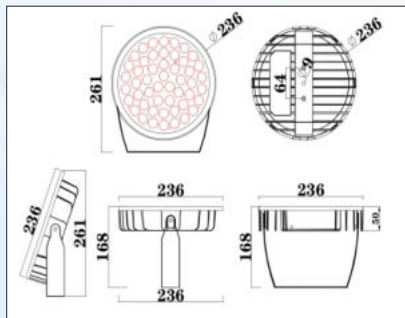
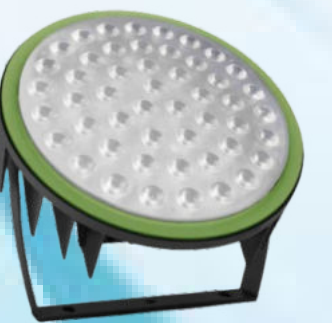
Shell Material:	Die-cast aluminum
Aluminum substrate size:	φ 166mm
Single color high voltage 3030 light board:	G L-M 3692A 36W -3030-2B18C 166MM
Single color high voltage 3030 light board:	48W -3030-4B12C-166MM
Single color low voltage 3030 light board:	G L-M 3759 36W -3030-3C12B-24V 166MM
RG B Light Board	
Outer box size (cm)	63*43*24.5cm (10 pcs per box)
Profile radiator weight:	0.57KG



Built-in power box: 31\*120\*42mm

### 202 integrated lens blade 36 beads oblique mouth

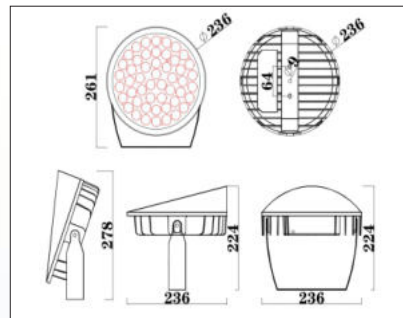
Shell Material:	Die-cast aluminum
Aluminum substrate size:	φ 166mm
Single color high voltage 3030 light board:	G L-M 3692A 36W -3030-2B18C 166MM
Single color high voltage 3030 light board:	48W -3030-4B12C-166MM
Single color low voltage 3030 light board:	G L-M 3759 36W -3030-3C12B-24V 166MM
RG B Light Board	
Outer box size (cm)	63*43*24.5cm (10 pcs per box)
Profile radiator weight:	0.57KG



Built-in power box: 32\*43\*120mm

### 236 integrated lens blade 50 beads flat mouth

Shell Material:	Die-cast aluminum
Aluminum substrate size:	φ 195mm
Single color high voltage 3030 light board:	G L-M 3748 50W -3030-10B5C-197MM
Single color high voltage 3030 light board:	BM -21730 72W -3030-3B24C-195MM
Single color low voltage 3030 light board:	G L-LU 0 M A-D197-3535-50LED-1005B
RG B Light Board	
Outer box size (cm)	58*51*29cm (10 pcs per box)
Profile radiator weight:	0.73KG



Built-in power box: 32\*43\*120mm

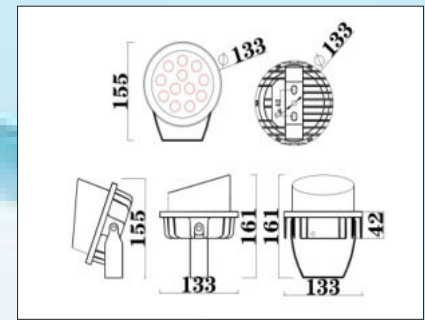
### 236 integrated lens blade 50 beads oblique mouth

Shell Material:	Die-cast aluminum
Aluminum substrate size:	φ 195mm
Single color high voltage 3030 light board:	G L-M 3748 50W -3030-10B5C-197MM
Single color high voltage 3030 light board:	BM -21730 72W -3030-3B24C-195MM
Single color low voltage 3030 light board:	G L-LU 0 M A-D197-3535-50LED-1005B
RG B Light Board	
Outer box size (cm)	58*51*29cm (10 pcs per box)
Profile radiator weight:	0.73KG



# Glass Blade system List

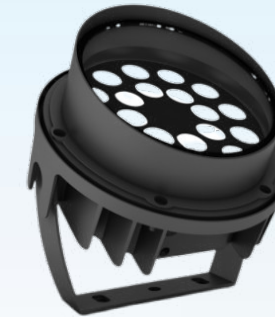
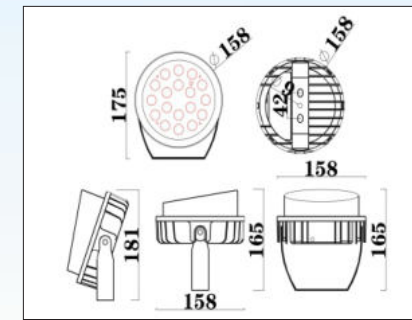
Glass Blade Series



### 133 blade 12 beads oblique mouth

Built-in power box: 21\*74\*34mm

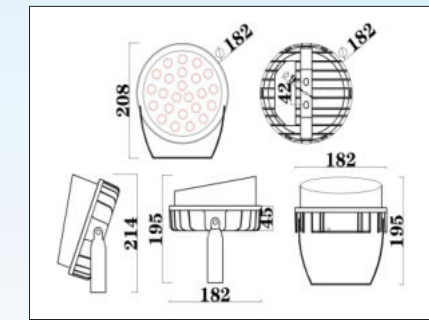
Shell Material:	Aluminum Alloy
Aluminum substrate size:	φ 96mm
Single color high voltage 3030 light board:	G L-M 3747 12P 3030 2B6C96MM
Single color 3030 light board:	18P 3030 2B9C 96MM
Single color low voltage 3030 light board:	G L-M 3751 3030 12W 3C4B 96MM
Single color low voltage 3535 light board	G L-M 3752 3535 4PXPE4C1B96MM
RG BW Light plate	12W 6C2B 96MM
Outer box size (cm)	45*39.5*25cm (20 pcs/box)
Profile radiator weight:	0.25KG



Built-in power box: 24\*84\*37mm

### 158 blade 18 beads oblique mouth

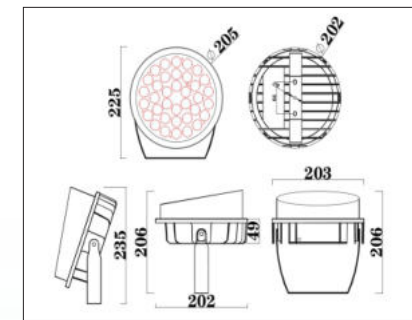
Shell Material:	Aluminum Alloy
Aluminum substrate size:	φ 120mm
Single color high voltage 3030 light board:	G L-M 3712A 18W -3030-2B9C 120MM
Single color 3030 light board:	24W -3030-2B12C-120MM
Single color low voltage 3030 light board:	G L-M 3756 18W -3030-3C6C-24V 120MM
Single color low voltage 3535 light board	G L-M 3721 5P-3535-xpr 5C1B 120MM
RG BW Light plate	18W 6 C3B 120M M 5 P-3535-RG BW 5 C1B 120MM
Outer box size (cm)	57*34.5*39.5cm (20 pcs/box)
Profile radiator weight:	0.35KG



Built-in power box: 29\*100\*37mm

### 182 blade 24 beads oblique mouth

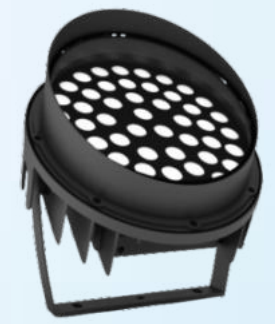
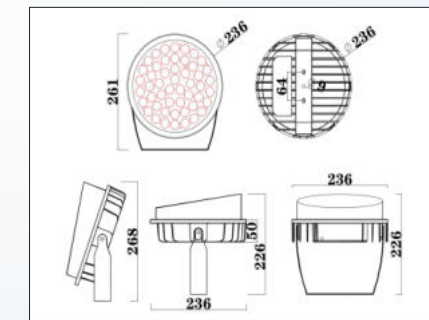
Shell Material:	Aluminum Alloy
Aluminum substrate size:	φ 146mm
Single color high voltage 3030 light board:	G L-M 3691A 24W -3030-2B12C 146MM
Single color 3030 light board:	36W -3030-2B18C-146MM
Single color low voltage 3030 light board:	G L-M 3758 24W -3030-3C8B-146MM
Single color low voltage 3535 light board	G L-M 3722 9P-XPE 3535-9C1B 146M
RG BW Light plate	9P-3535-RG BW 9 C1B 146M
Outer box size (cm)	61*39*22.5cm (10 pcs per box)
Profile radiator weight:	0.43KG



Built-in power box: 31\*120\*42mm

### 202 blade 36 beads oblique mouth

Shell Material:	Aluminum Alloy
Aluminum substrate size:	φ 166mm
Single color high voltage 3030 light board:	G L-M 3692A 36W -3030-2B18C 166MM
Single color 3030 light board:	48W -3030-4B12C-166MM
Single color low voltage 3030 light board:	G L-M 3759 36W -3030-3C12B-24V 166MM
Single color low voltage 3535 light board	G L-M 3723 12P-XPE 3535-12C1B 166MM
RG BW Light plate	12P-3535-RG BW 1 2C1B 166MM
Outer box size (cm)	63*43*24.5cm (20 pcs/box)
Profile radiator weight:	0.57KG



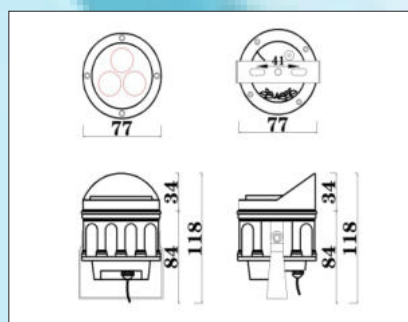
Built-in power box: 32\*43\*120mm

### 236 blade 50 beads oblique mouth

Shell Material:	Aluminum Alloy
Aluminum substrate size:	φ 195mm
Single color high voltage 3030 light board:	G L-M 3748 50W -3030-10B5C-197MM
Single color 3030 light board:	BM -21730 72W -3030-3B24C-195MM
Single color low voltage 3030 light board:	G L-LU 0 M A-D197-3535-50LED-1005B
Single color low voltage 3535 light board	G L-M 3753 16P-XPE-16C1B-197MM
RG BW Light plate	16P 3535-RG BW -16C1B-D197mm
Outer box size (cm)	58*51*29cm (10 pcs per box)
Profile radiator weight:	0.73KG

# One lens Roman system List

Integrated lens Roman series

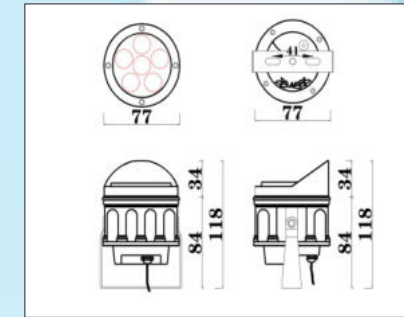


Built-in power box: 40\*18\*30mm



## 77 one-piece lens Roman 3 beads oblique mouth

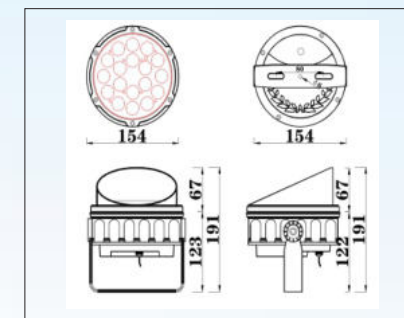
Shell Material:	Die-cast aluminum
Aluminum substrate size:	φ 50mm
Single color high voltage 3030 light board:	G L-M 3731 3W -3C1B 50MM
Single color low voltage 3030 light board:	M 3757 3W 3 C1B 50MM
RG B Light Board	M 30410 3W - 3C1B 50MM
Outer box size (cm)	49*29*34CM (30 pieces per box)
Profile radiator weight:	0.14KG



Built-in power box: 40\*18\*30mm

## 77 one-piece lens Roman 6 beads oblique mouth

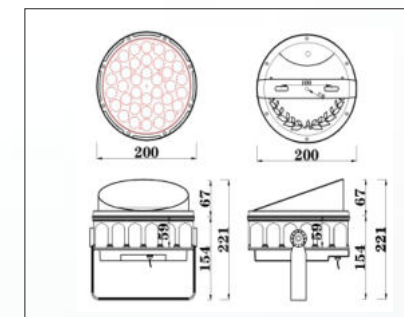
Shell Material:	Die-cast aluminum
Aluminum substrate size:	φ 50mm
Single color high voltage 3030 light board:	M 3742 3030 6W 2 B3C-50MM
Outer box size (cm)	49*29*34CM (30 pieces per box)
Profile radiator weight:	0.14KG



Built-in power box: 30\*37\*100mm

## 154 one-piece lens Roman 18 beads oblique mouth

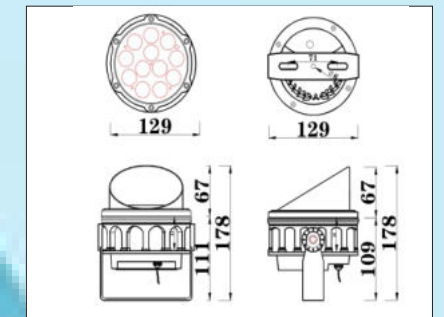
Shell Material:	Die-cast aluminum
Aluminum substrate size:	φ 120mm
Single color high voltage 3030 light board:	G L-M 3712A 18W -3030-2B9C 120MM
Single color high voltage 3030 light board:	24W -3030-2B12C-120MM
Single color low voltage 3030 light board:	G L-M 3756 18W -3030-3C6C-24V 120MM
RG B Light Board	18W 6 C3B 120MM
Outer box size (cm)	57*30*38CM (12 pieces per box)
Profile radiator weight:	0.53KG



Built-in power box: 40\*50\*170mm

## 200 one-piece lens Roman 36 beads oblique mouth

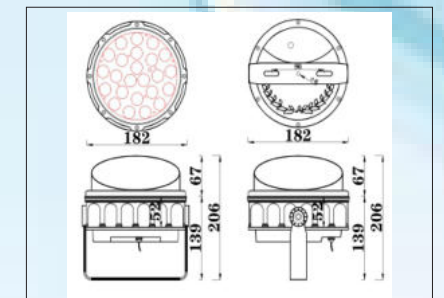
Shell Material:	Die-cast aluminum
Aluminum substrate size:	φ 166mm
Single color high voltage 3030 light board:	G L-M 3692A 36W -3030-2B18C 166MM
Single color high voltage 3030 light board:	48W -3030-4B12C-166MM
Single color low voltage 3030 light board:	G L-M 3759 36W -3030-3C12B-24V 166MM
RG B Light Board	18W 6 C3B 120MM
Outer box size (cm)	84.5*24*47CM (10 pcs per box)
Profile radiator weight:	0.75KG



Built-in power box: 24\*27\*85mm

## 129 one-piece lens Roman 12 beads oblique mouth

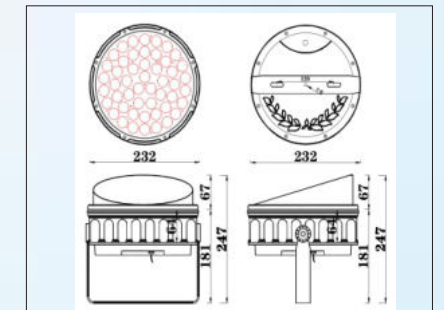
Shell Material:	Die-cast aluminum
Aluminum substrate size:	φ 96mm
Single color high voltage 3030 light board:	G L-M 3747 12P 3030 2B6C96MM
Single color 3030 light board:	18P 3030 2B9C 96MM
Single color low voltage 3030 light board:	G L-M 3751 3030 12W 3C4B 96MM
RG B Light Board	12W 6C2B 96MM
Outer box size (cm)	63.5*33.5*33CM (30 pieces per box)
Profile radiator weight:	0.38KG



Built-in power box: 35\*40\*145mm

## 182 one-piece lens Roman 24 beads oblique mouth

Shell Material:	Die-cast aluminum
Aluminum substrate size:	φ 146mm
Single color high voltage 3030 light board:	G L-M 3691A 24W -3030-2B12C 146MM
Single color high voltage 3030 light board:	36W -3030-2B18C-146MM
Single color low voltage 3030 light board:	G L-M 3758 24W -3030-3C8B-146MM
RG B Light Board	
Outer box size (cm)	80.5*22.5*43CM (10 pcs per box)
Profile radiator weight:	0.56KG



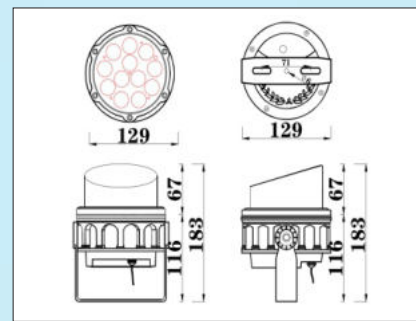
Built-in power box: 45\*60\*180mm

## 182 one-piece lens Roman 50 beads oblique mouth

Shell Material:	Die-cast aluminum
Aluminum substrate size:	φ 195mm
Single color high voltage 3030 light board:	G L-M 3748 50W -3030-10B5C-197MM
Single color high voltage 3030 light board:	BM -21730 72W -3030-3B24C-195MM
Single color low voltage 3030 light board:	G L-LU 0 M A-D197-3535-50LED-10C5B
RG B Light Board	
Outer box size (cm)	55*35*54CM (8 pieces per box)
Profile radiator weight:	0.93KG

# Glass Roman system List

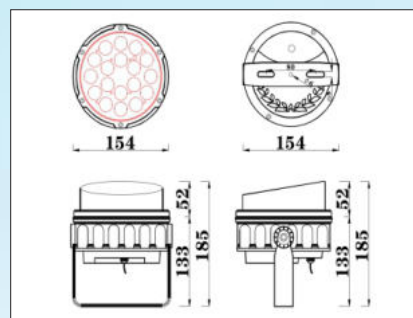
Glass Roman series



Built-in power box: 24\*27\*85mm

## 129 Roman 12 beads oblique mouth

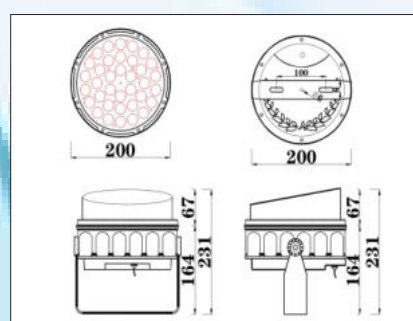
Shell Material:	Die-cast aluminum
Aluminum substrate size:	φ96mm
Single color high voltage 3030 light board:	G L-M 3747 12P 3030 2B6C96MM
Single color 3030 light board:	18P 3030 2B9C 96MM
Single color low voltage 3030 light board:	G L-M 3751 3030 12W 3C4B 96MM
Single color low voltage 3535 light board	G L-M 3752 3535 4PXPE4C1B96MM
RG BW Light plate	12W 6C2B 96MM
Outer box size (cm)	63.5*33.5*33cm (16 pieces per box)
Profile radiator weight:	0.38KG



Built-in power box: 30\*37\*100mm

## 154 Roman 18 beads oblique mouth

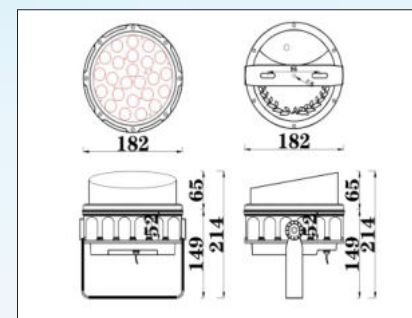
Shell Material:	Die-cast aluminum
Aluminum substrate size:	φ120mm
Single color high voltage 3030 light board:	G L-M 3712A 18W -3030-2B9C 120MM
Single color 3030 light board:	24W -3030-2B12C-120MM
Single color low voltage 3030 light board:	G L-M 3756 18W -3030-3C6C-24V 120MM
Single color low voltage 3535 light board	G L-M 3721 5P-3535-xpr 5C1B 120MM
RG BW Light plate	18W 6 C3B 120MM 5P-3535-RG BW 5 C1B 120MM
Outer box size (cm)	57*30*38cm (12 pieces per box)
Profile radiator weight:	0.53KG



Built-in power box: 40\*50\*170mm

## 200 Roman 36 beads oblique mouth

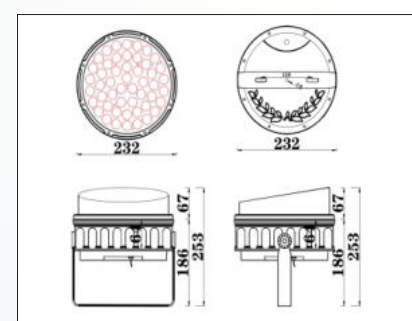
Shell Material:	Die-cast aluminum
Aluminum substrate size:	φ166mm
Single color high voltage 3030 light board:	G L-M 3692A 36W -3030-2B18C 166MM
Single color 3030 light board:	48W -3030-4B12C-166MM
Single color low voltage 3030 light board:	G L-M 3759 36W -3030-3C12B-24V 166MM
Single color low voltage 3535 light board	G L-M 3723 12P-XPE 3535-12C1B 166MM
RG BW Light plate	12P-3535-RG BW 1 2C1B 166MM
Outer box size (cm)	84.5*24*47cm (10 pcs per box)
Profile radiator weight:	0.75KG



Built-in power box: 35\*40\*145mm

## 182 Roman 24 beads oblique mouth

Shell Material:	Die-cast aluminum
Aluminum substrate size:	φ146mm
Single color high voltage 3030 light board:	G L-M 3691A 24W -3030-2B12C 146MM
Single color 3030 light board:	36W -3030-2B18C-146MM
Single color low voltage 3030 light board:	G L-M 3758 24W -3030-3C8B-146MM
Single color low voltage 3535 light board	G L-M 3722 9P-XPE 3535-9C1B 146MM
RG BW Light plate	9P-3535-RG BW 9 C1B 146MM
Outer box size (cm)	61*39*22.5cm (10 pcs per box)
Profile radiator weight:	0.56KG



Built-in power box: 45\*60\*180mm

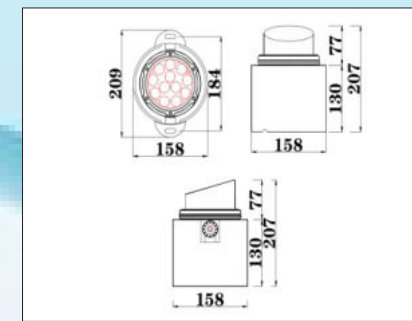
## 232 50珠斜口

Shell Material:	Die-cast aluminum
Aluminum substrate size:	φ195mm
Single color high voltage 3030 light board:	G L-M 3748 50W -3030-10B5C-197MM
Single color 3030 light board:	BM -21730 72W -3030-3B24C-195MM
Single color low voltage 3030 light board:	G L-LU 0 M A-D197-3535-50LED-10C5B
Single color low voltage 3535 light board	G L-M 3753 16P-XPE-16C1B-197MM
RG BW Light plate	16P 3535-RG BW -16C1B-D197mm
Outer box size (cm)	55*35.5*54cm (8 pieces per box)
Profile radiator weight:	0.93KG

# Glass system List

## Roman underground light

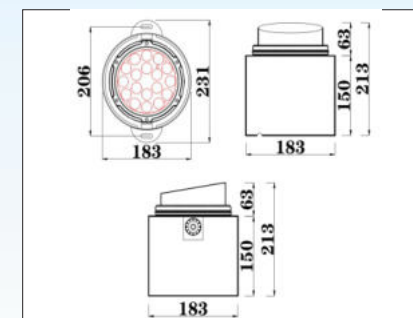
Glass Roman Buried Lamp Series



Built-in power box: 24\*27\*85mm

## Roman 12 Beads Oblique Mouth

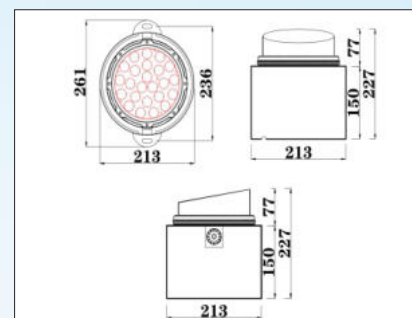
Shell Material:	Die-cast aluminum
Aluminum substrate size:	φ96mm
Single color high voltage 3030 light board:	G L-M 3747 12P 3030 2B6C96MM
Single color 3030 light board:	18P 3030 2B9C 96MM
Single color low voltage 3030 light board:	G L-M 3751 3030 12W 3C4B 96MM
Single color low voltage 3535 light board	G L-M 3752 3535 4PXPE4C1B96MM
RG BW Light plate	12W 6C2B 96MM
Outer box size (cm)	
Profile radiator weight:	0.38KG



Built-in power box: 30\*37\*100mm

## Roman 18 beads oblique mouth

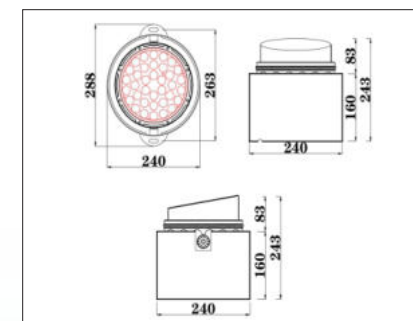
Shell Material:	Die-cast aluminum
Aluminum substrate size:	φ120mm
Single color high voltage 3030 light board:	G L-M 3712A 18W -3030-2B9C 120MM
Single color 3030 light board:	24W -3030-2B12C-120MM
Single color low voltage 3030 light board:	G L-M 3756 18W -3030-3C6C-24V 120MM
Single color low voltage 3535 light board	G L-M 3721 5P-3535-xpr 5C1B 120MM
RG BW Light plate	18W 6 C3B 120MM 5 P-3535-RG BW 5 C1B 120MM
Outer box size (cm)	240*245cm (1 piece per box)
Profile radiator weight:	0.53KG



Built-in power box: 34\*40\*145mm

## Roman 24 beads oblique mouth

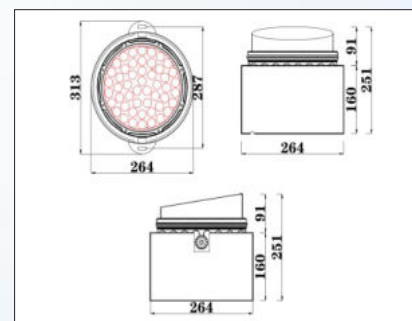
Shell Material:	Die-cast aluminum
Aluminum substrate size:	φ146mm
Single color high voltage 3030 light board:	G L-M 3691A 24W -3030-2B12C 146MM
Single color 3030 light board:	36W -3030-2B18C-146MM
Single color low voltage 3030 light board:	G L-M 3758 24W -3030-3C8B-146MM
Single color low voltage 3535 light board	G L-M 3722 9P-XPE 3535-9C1B 146MM
RG BW Light plate	9P-3535-RG BW 9 C1B 146MM
Outer box size (cm)	27.5*22.5*24.5cm (1 piece per box)
Profile radiator weight:	0.56KG



Built-in power box: 40\*50\*170mm

## Roman 36 beads oblique mouth

Shell Material:	Die-cast aluminum
Aluminum substrate size:	φ166mm
Single color high voltage 3030 light board:	G L-M 3692A 36W -3030-2B18C 166MM
Single color 3030 light board:	48W -3030-4B12C-166MM
Single color low voltage 3030 light board:	G L-M 3759 36W -3030-3C12B-24V 166MM
Single color low voltage 3535 light board	G L-M 3723 12P-XPE 3535-12C1B 166MM
RG BW Light plate	12P-3535-RG BW 1 2C1B 166MM
Outer box size (cm)	29.5*25*27cm (1 piece per box)
Profile radiator weight:	0.75KG



Built-in power box: 45\*60\*180mm

## Roman 50 beads oblique mouth

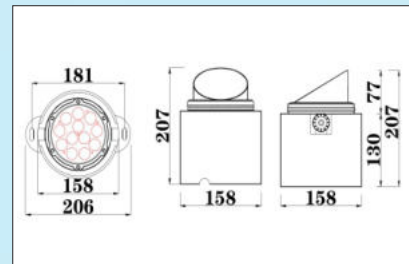
Shell Material:	Die-cast aluminum
Aluminum substrate size:	φ195mm
Single color high voltage 3030 light board:	G L-M 3748 50W -3030-10B5C-197MM
Single color 3030 light board:	BM -21730 72W -3030-3B24C-195MM
Single color low voltage 3030 light board:	G L-LU 0 M A-D197-3535-50LED-10C5B
Single color low voltage 3535 light board	G L-M 3753 16P-XPE-16C1B-197MM
RG BW Light plate	16P 3535-RG BW -16C1B-D197mm
Outer box size (cm)	
Profile radiator weight:	0.93KG

# One-piece lens

system List

## Roman underground light

Integrated lens Roman buried lamp series

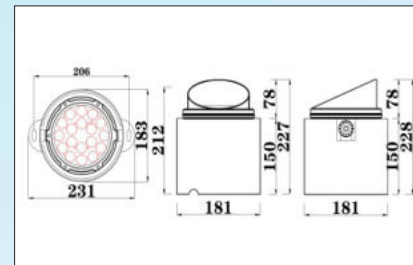


Built-in power box: 24\*27\*85mm



### One-piece lens Roman 12 beads oblique mouth

Shell Material:	Die-cast aluminum
Aluminum substrate size:	φ 96mm
Single color high voltage 3030 light board:	G L-M 3747 12P 3030 2B6C96MM
Single color 3030 light board:	18P 3030 2B9C 96MM
Single color low voltage 3030 light board:	G L-M 3751 3030 12W 3C4B 96MM
RG BW Light plate	12W 6C2B 96MM
Outer box size (cm)	
Profile radiator weight:	0.38KG

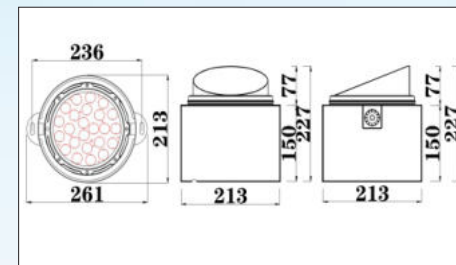


Built-in power box: 30\*37\*100mm



### One-piece lens Roman 18 beads oblique mouth

Shell Material:	Die-cast aluminum
Aluminum substrate size:	φ 120mm
Single color high voltage 3030 light board:	G L-M 3712A 18W -3030-2B9C 120MM
Single color 3030 light board:	24W -3030-2B12C-120MM
Single color low voltage 3030 light board:	G L-M 3756 18W -3030-3C6C-24V 120MM
RG BW Light plate	18W 6 C3B 120MM
Outer box size (cm)	240*245cm (1 piece per box)
Profile radiator weight:	0.53KG

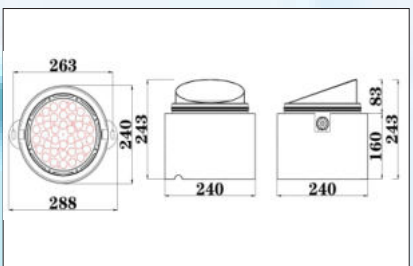


Built-in power box: 35\*40\*145mm



### One-piece lens Roman 24 beads oblique mouth

Shell Material:	Die-cast aluminum
Aluminum substrate size:	φ 146mm
Single color high voltage 3030 light board:	G L-M 3691A 24W -3030-2B12C 146MM
Single color 3030 light board:	36W -3030-2B18C-146MM
Single color low voltage 3030 light board:	G L-M 3758 24W -3030-3C8B-146MM
RG BW Light plate	
Outer box size (cm)	27.5*22.5*24.5cm (1 piece per box)
Profile radiator weight:	0.56KG

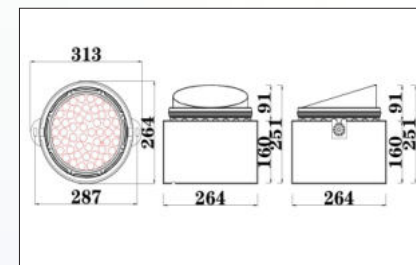


Built-in power box: 40\*50\*170mm



### One-piece lens Roman 36 beads oblique mouth

Shell Material:	Die-cast aluminum
Aluminum substrate size:	φ 166mm
Single color high voltage 3030 light board:	G L-M 3692A 36W -3030-2B18C 166MM
Single color 3030 light board:	48W -3030-4B12C-166MM
Single color low voltage 3030 light board:	G L-M 3759 36W -3030-3C12B-24V 166MM
RG BW Light plate	
Outer box size (cm)	29.5*25*27cm (1 piece per box)
Profile radiator weight:	0.75KG



Built-in power box: 45\*60\*180mm



### One-piece lens Roman 50 beads oblique mouth

Shell Material:	Die-cast aluminum
Aluminum substrate size:	φ 195mm
Single color high voltage 3030 light board:	G L-M 3748 50W -3030-10B5C-197MM
Single color 3030 light board:	BM -21730 72W -3030-3B24C-195MM
Single color low voltage 3030 light board:	G L-LU 0 M A-D197-3535-50LED-1005B
RG BW Light plate	
Outer box size (cm)	
Profile radiator weight:	0.93KG

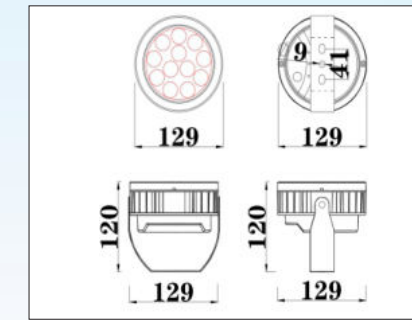
# New wheels

system List

New wheel series



Built-in power box: 24\*27\*85mm

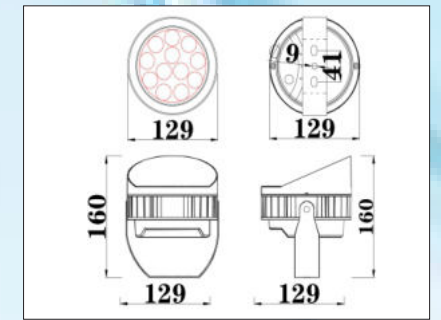


### 129 New Wheel Series 12 Beads Flat End

Shell Material:	Die-cast aluminum
Aluminum substrate size:	φ 96mm
Single color high voltage 3030 light board:	G L-M 3747 12P 3030 2B6C96MM
Single color 3030 light board:	18P 3030 2B9C 96MM
Single color low voltage 3030 light board:	G L-M 3751 3030 12W 3C4B 96MM
Single color low voltage 3535 light board:	G L-M 3752 3535 4PXPE4C1B96MM
RG BW Light plate	12W 6C2B 96MM M
Outer box size (cm)	63.5*33.5*33cm (16 pieces per box)
Profile radiator weight:	0.14KG



Built-in power box: 24\*27\*85mm

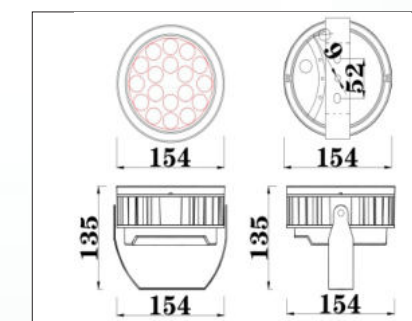


### 129 New Wheel Series 12 Beads Bevel

Shell Material:	Die-cast aluminum
Aluminum substrate size:	φ 96mm
Single color high voltage 3030 light board:	G L-M 3747 12P 3030 2B6C96MM
Single color 3030 light board:	18P 3030 2B9C 96MM
Single color low voltage 3030 light board:	G L-M 3751 3030 12W 3C4B 96MM
Single color low voltage 3535 light board:	G L-M 3752 3535 4PXPE4C1B96MM
RG BW Light plate	12W 6C2B 96MM
Outer box size (cm)	63.5*33.5*33cm (16 pieces per box)
Profile radiator weight:	0.14KG



Built-in power box: 30\*37\*100mm

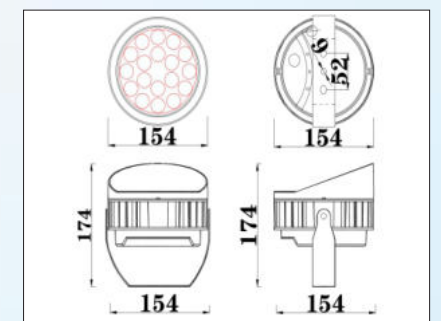


### 154 New Wheel Series 18 Beads Flat End

Shell Material:	Die-cast aluminum
Aluminum substrate size:	φ 120mm
Single color high voltage 3030 light board:	G L-M 3712A 18W -3030-2B9C 120MM
Single color 3030 light board:	24W -3030-2B12C-120MM
Single color low voltage 3030 light board:	G L-M 3756 18W -3030-3C6C-24V 120MM
Single color low voltage 3535 light board:	G L-M 3721 5P-3535-xpr 5C1B 120MM
RG BW Light plate	18W 6 C3B 120MM 5 P-3535-RG BW 5 C1B 120MM
Outer box size (cm)	57*30*38cm (12 pieces per box)
Profile radiator weight:	0.2KG



Built-in power box: 30\*37\*100mm



### 154 New Wheel Series 18 Beads Bevel

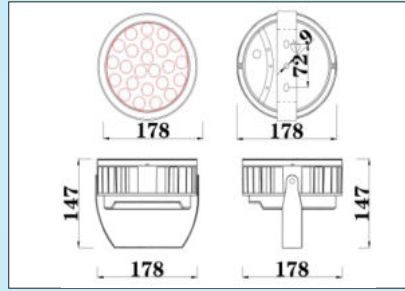
Shell Material:	Die-cast aluminum
Aluminum substrate size:	φ 120mm
Single color high voltage 3030 light board:	G L-M 3712A 18W -3030-2B9C 120MM
Single color 3030 light board:	24W -3030-2B12C-120MM
Single color low voltage 3030 light board:	G L-M 3756 18W -3030-3C6C-24V 120MM
Single color low voltage 3535 light board:	G L-M 3721 5P-3535-xpr 5C1B 120MM
RG BW Light plate	18W 6 C3B 120MM 5 P-3535-RG BW 5 C1B 120MM
Outer box size (cm)	57*30*38cm (12 pieces per box)
Profile radiator weight:	0.2KG



# New wheel underground light

New car wheel buried light series

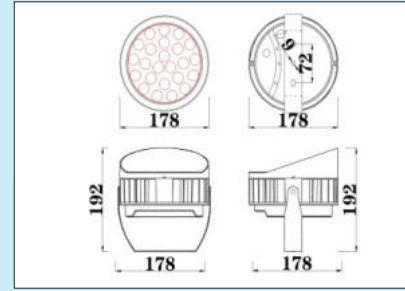
system  
List



Built-in power box: 35\*40\*145mm

## 178 New Wheel Series 24 Beads Flat End

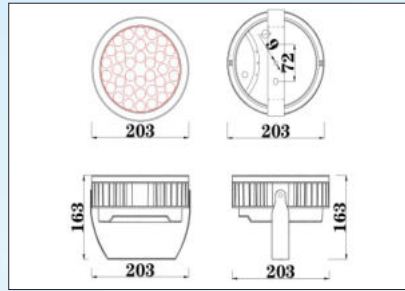
Shell Material:	Die-cast aluminum
Aluminum substrate size:	φ 146mm
Single color high voltage 3030 light board:	G L-M 3691A 24W -3030-2B12C-146MM
Single color high voltage 3030 light board:	36W -3030-2B18C-146MM
Single color low voltage 3030 light board:	G L-M 3758 24W -3030-3C8B-146MM
Single color low voltage 3535 light board:	G L-M 3722 9P-XPE 3535-9C1B 146MM
RG BW Lightplate	9P-3535-RG BW 9 C1B 146MM
Outer box size (cm)	80.5*22.5*43cm (10 pcs per box)
Profile radiator weight:	0.3KG



Built-in power box: 35\*40\*145mm

## 178 New Wheel Series 24 Beads Bevel

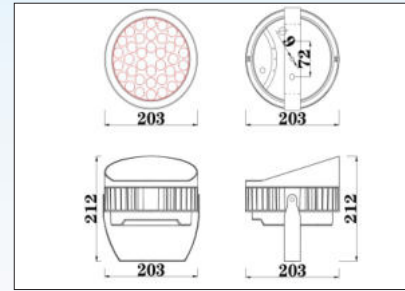
Shell Material:	Die-cast aluminum
Aluminum substrate size:	φ 146mm
Single color high voltage 3030 light board:	G L-M 3691A 24W -3030-2B12C-146MM
Single color high voltage 3030 light board:	36W -3030-2B18C-146MM
Single color low voltage 3030 light board:	G L-M 3758 24W -3030-3C8B-146MM
Single color low voltage 3535 light board:	G L-M 3722 9P-XPE 3535-9C1B 146MM
RG BW Lightplate	9P-3535-RG BW 9 C1B 146MM
Outer box size (cm)	80.5*22.5*43cm (10 pcs per box)
Profile radiator weight:	0.3KG



Built-in power box: 40\*50\*170mm

## 200 New Wheel Series 36 Beads Flat End

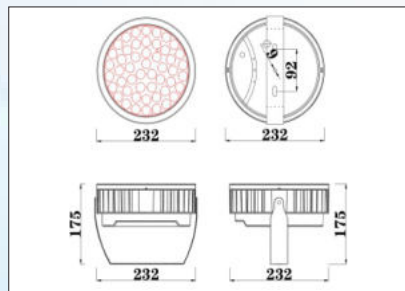
Shell Material:	Die-cast aluminum
Aluminum substrate size:	φ 166mm
Single color high voltage 3030 light board:	G L-M 3692A 36W -3030-2B18C-166MM
Single color high voltage 3030 light board:	48W -3030-4B12C-166MM
Single color low voltage 3030 light board:	G L-M 3759 36W -3030-3C12B-24V 166MM
Single color low voltage 3535 light board:	G L-M 3723 12P-XPE 3535-12C1B 166MM
RG BW Lightplate	12P-3535-RG BW 1 2C1B 166MM
Outer box size (cm)	84.5*24*47cm (10 pcs per box)
Profile radiator weight:	0.37KG



Built-in power box: 40\*50\*170mm

## 200 New Wheel Series 36 Beads Bevel

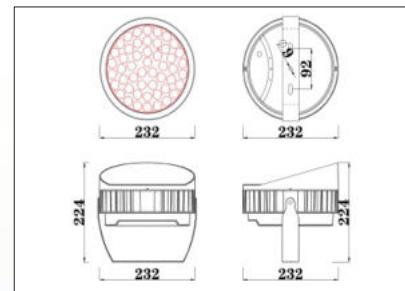
Shell Material:	Die-cast aluminum
Aluminum substrate size:	φ 166mm
Single color high voltage 3030 light board:	G L-M 3692A 36W -3030-2B18C-166MM
Single color high voltage 3030 light board:	48W -3030-4B12C-166MM
Single color low voltage 3030 light board:	G L-M 3759 36W -3030-3C12B-24V 166MM
Single color low voltage 3535 light board:	G L-M 3723 12P-XPE 3535-12C1B 166MM
RG BW Lightplate	12P-3535-RG BW 1 2C1B 166MM
Outer box size (cm)	84.5*24*47cm (10 pcs per box)
Profile radiator weight:	0.37KG



Built-in power box: 45\*60\*180mm

## 232 New Wheel Series 50 Beads Flat End

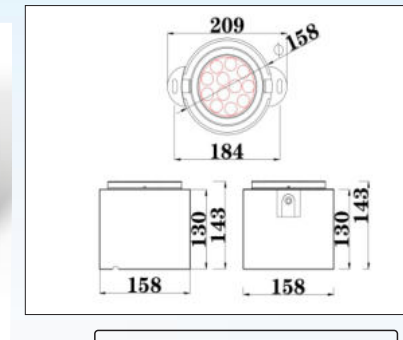
Shell Material:	Die-cast aluminum
Aluminum substrate size:	φ 195mm
Single color high voltage 3030 light board:	G L-M 3748 50W -3030-10B5C-197MM
Single color high voltage 3030 light board:	BM -21730 72W -3030-3B24C-195MM
Single color low voltage 3030 light board:	G L-LU O M A-D197-3535-50LED-10C5B
Single color low voltage 3535 light board:	G L-M 3753 16P-XPE-16C1B-197MM
RG BW Lightplate	16P 3535-RG BW -16C1B-D197mm
Outer box size (cm)	55*35.5*54cm (8 pieces per box)
Profile radiator weight:	0.42KG



Built-in power box: 45\*60\*180mm

## 232 New Wheel Series 50 Beads Bevel

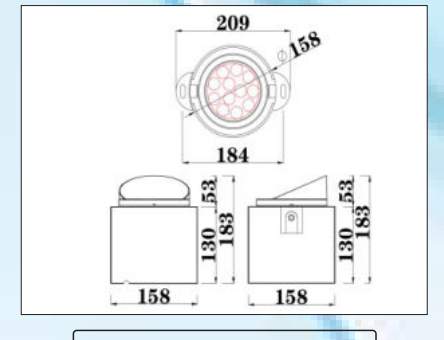
Shell Material:	Die-cast aluminum
Aluminum substrate size:	φ 195mm
Single color high voltage 3030 light board:	G L-M 3748 50W -3030-10B5C-197MM
Single color high voltage 3030 light board:	BM -21730 72W -3030-3B24C-195MM
Single color low voltage 3030 light board:	G L-LU O M A-D197-3535-50LED-10C5B
Single color low voltage 3535 light board:	G L-M 3753 16P-XPE-16C1B-197MM
RG BW Lightplate	16P 3535-RG BW -16C1B-D197mm
Outer box size (cm)	55*35.5*54cm (8 pieces per box)
Profile radiator weight:	0.42KG



Built-in power box: 24\*27\*85mm

## New Wheel Series 12 Beads Flat

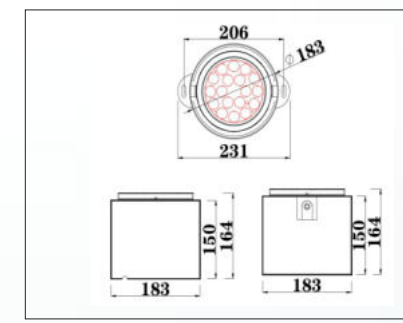
Shell Material:	Die-cast aluminum
Aluminum substrate size:	φ 96mm
Single color high voltage 3030 light board:	G L-M 3747 12P 3030 2B6C96MM
Single color high voltage 3030 light board:	18P 3030 2B9C 96MM
Single color low voltage 3030 light board:	G L-M 3751 3030 12W 3C4B 96MM
Single color low voltage 3535 light board:	G L-M 3752 3535 4PXP4C1B96MM
RG BW Lightplate	12W 6C2B 96MM
Outer box size (cm)	
Profile radiator weight:	0.14KG



Built-in power box: 24\*27\*85mm

## New wheel series 12 beads oblique mouth

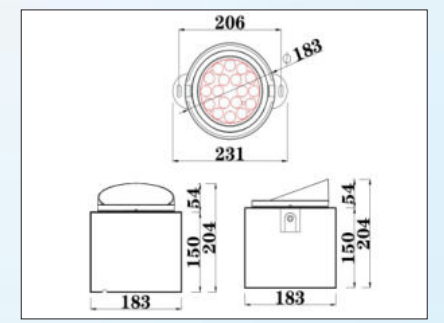
Shell Material:	Die-cast aluminum
Aluminum substrate size:	φ 96mm
Single color high voltage 3030 light board:	G L-M 3747 12P 3030 2B6C96MM
Single color high voltage 3030 light board:	18P 3030 2B9C 96MM
Single color low voltage 3030 light board:	G L-M 3751 3030 12W 3C4B 96MM
Single color low voltage 3535 light board:	G L-M 3752 3535 4PXP4C1B96MM
RG BW Lightplate	12W 6C2B 96MM
Outer box size (cm)	
Profile radiator weight:	0.14KG



Built-in power box: 30\*37\*100mm

## New Wheel Series 18 Beads Flat

Shell Material:	Die-cast aluminum
Aluminum substrate size:	φ 120mm
Single color high voltage 3030 light board:	G L-M 3712A 18W -3030-2B9C 120MM
Single color high voltage 3030 light board:	24W -3030-2B12C-120MM
Single color low voltage 3030 light board:	G L-M 3756 18W -3030-3C6C-24V 120MM
Single color low voltage 3535 light board:	G L-M 3721 5P-3535-xpr 5C1B 120MM
RG BW Lightplate	18W 6 C3B 120MM 5 P-3535-RG BW 5 C1B 120MM
Outer box size (cm)	24*24.5cm (1 piece per box)
Profile radiator weight:	0.2KG

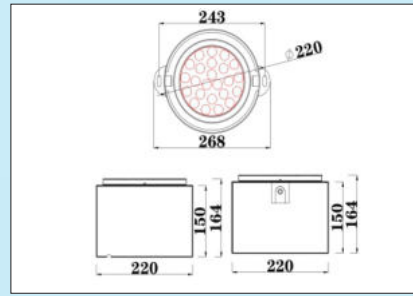


Built-in power box: 30\*37\*100mm

## New wheel series 18 beads oblique mouth

Shell Material:	Die-cast aluminum
Aluminum substrate size:	φ 120mm
Single color high voltage 3030 light board:	G L-M 3712A 18W -3030-2B9C 120MM
Single color high voltage 3030 light board:	24W -3030-2B12C-120MM
Single color low voltage 3030 light board:	G L-M 3756 18W -3030-3C6C-24V 120MM
Single color low voltage 3535 light board:	G L-M 3721 5P-3535-xpr 5C1B 120MM
RG BW Lightplate	18W 6 C3B 120MM 5 P-3535-RG BW 5 C1B 120MM
Outer box size (cm)	24*24.5cm (1 piece per box)
Profile radiator weight:	0.2KG

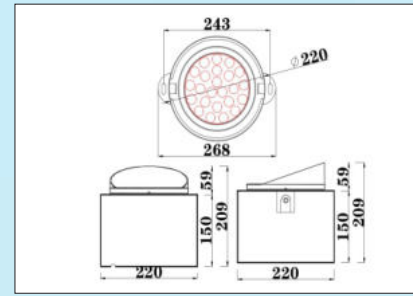




Built-in power box: 35\*40\*145mm

### New Wheel Series 24 Beads Flat End

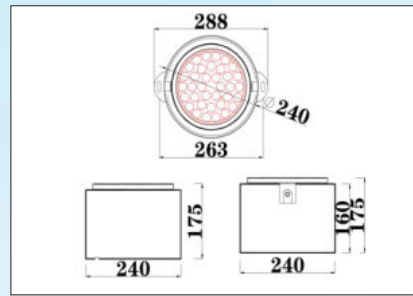
Shell Material:	Die-cast aluminum	
Aluminum substrate size:	φ 146mm	
Single color high voltage 3030 light board:	G L-M 3691A 24W	-3030-2B12C 146MM
Single color high voltage 3030 light board:	36W	-3030-2B18C-146MM
Single color low voltage 3030 light board:	G L-M 3758 24W	-3030-3C8B-146MM
Single color low voltage 3535 light board:	G L-M 3722 9P-XPE 3535-9C1B 146MM	
RG BW Light plate	9P-3535-RG	BW 9 C1B 146MM
Outer box size (cm)	27.5*22.5*24.5cm (1 piece per box)	
Profile radiator weight:	0.3KG	



Built-in power box: 35\*40\*145mm

### New wheel series 24 beads oblique mouth

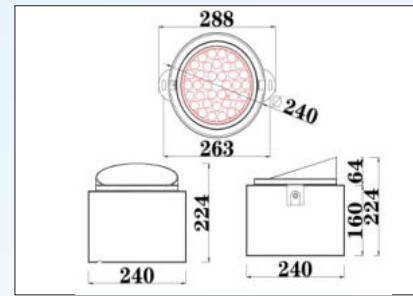
Shell Material:	Die-cast aluminum	
Aluminum substrate size:	φ 146mm	
Single color high voltage 3030 light board:	G L-M 3691A 24W	-3030-2B12C 146MM
Single color high voltage 3030 light board:	36W	-3030-2B18C-146MM
Single color low voltage 3030 light board:	G L-M 3758 24W	-3030-3C8B-146MM
Single color low voltage 3535 light board:	G L-M 3722 9P-XPE 3535-9C1B 146MM	
RG BW Light plate	9P-3535-RG	BW 9 C1B 146MM
Outer box size (cm)	27.5*22.5*24.5cm (1 piece per box)	
Profile radiator weight:	0.3KG	



Built-in power box: 40\*50\*170mm

### New wheel series 36 beads flat

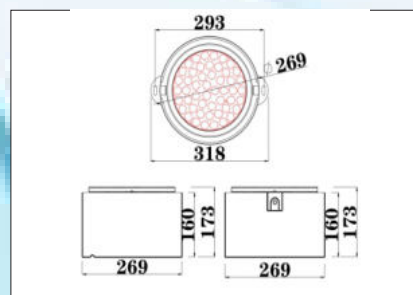
Shell Material:	Die-cast aluminum	
Aluminum substrate size:	φ 166mm	
Single color high voltage 3030 light board:	G L-M 3692A 36W	-3030-2B18C 166MM
Single color high voltage 3030 light board:	48W	-3030-4B12C-166MM
Single color low voltage 3030 light board:	G L-M 3759 36W	-3030-3C12B-24V 166MM
Single color low voltage 3535 light board:	G L-M 3723 12P-XPE 3535-12C1B 166MM	
RG BW Light plate	12P-3535-RG	BW 1 2C1B 166MM
Outer box size (cm)	29.5*25*27cm (1 piece per box)	
Profile radiator weight:	0.37KG	



Built-in power box: 40\*50\*170mm

### New wheel series 36 beads oblique mouth

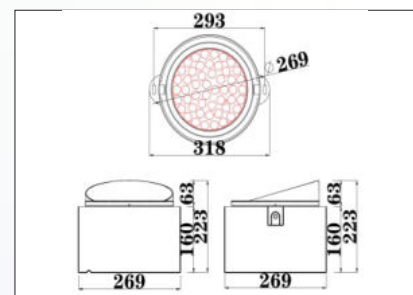
Shell Material:	Die-cast aluminum	
Aluminum substrate size:	φ 166mm	
Single color high voltage 3030 light board:	G L-M 3692A 36W	-3030-2B18C 166MM
Single color high voltage 3030 light board:	48W	-3030-4B12C-166MM
Single color low voltage 3030 light board:	G L-M 3759 36W	-3030-3C12B-24V 166MM
Single color low voltage 3535 light board:	G L-M 3723 12P-XPE 3535-12C1B 166MM	
RG BW Light plate	12P-3535-RG	BW 1 2C1B 166MM
Outer box size (cm)	29.5*25*27cm (1 piece per box)	
Profile radiator weight:	0.37KG	



Built-in power box: 45\*60\*180mm

### New Wheel Series 50 Beads Flat End

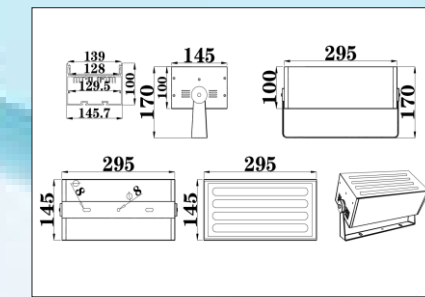
Shell Material:	Die-cast aluminum	
Aluminum substrate size:	φ 195mm	
Single color high voltage 3030 light board:	G L-M 3748 50W	-3030-10B5C-197MM
Single color high voltage 3030 light board:	BM -21730 72W	-3030-3B24C-195MM
Single color low voltage 3030 light board:	G L-LU O M A-D197-3535-50LED-10C5B	
Single color low voltage 3535 light board:	G L-M 3753 16P-XPE-16C1B-197MM	
RG BW Light plate	16P 3535-RG	BW -16C1B-D197mm
Outer box size (cm)		
Profile radiator weight:	0.42KG	



Built-in power box: 45\*60\*180mm

### New wheel series 50 beads oblique mouth

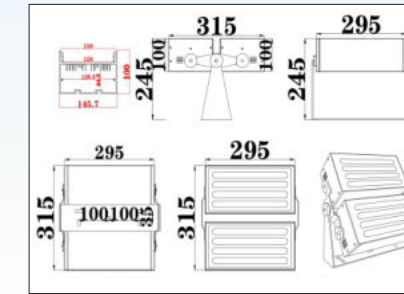
Shell Material:	Die-cast aluminum	
Aluminum substrate size:	φ 195mm	
Single color high voltage 3030 light board:	G L-M 3748 50W	-3030-10B5C-197MM
Single color high voltage 3030 light board:	BM -21730 72W	-3030-3B24C-195MM
Single color low voltage 3030 light board:	G L-LU O M A-D197-3535-50LED-10C5B	
Single color low voltage 3535 light board:	G L-M 3753 16P-XPE-16C1B-197MM	
RG BW Light plate	16P 3535-RG	BW -16C1B-D197mm
Outer box size (cm)		
Profile radiator weight:	0.42KG	



Built-in power box: 44\*129\*270mm

### Large Galaxy Rainbow Light

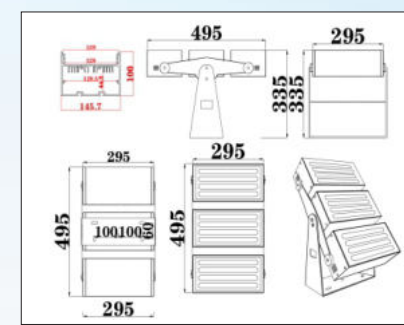
Shell Material:	Aluminum Alloy
Aluminum substrate size:	
Single color high voltage 3535 light board:	
Single color high voltage 3535 light board:	
Outer box size (cm)	
Profile radiator weight:	



Built-in power box: 44\*129\*270mm

### Large Galaxy Rainbow Light

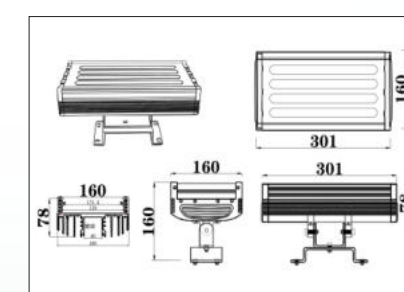
Shell Material:	Aluminum Alloy
Aluminum substrate size:	
Single color high voltage 3535 light board:	
Single color high voltage 3535 light board:	
Outer box size (cm)	
Profile radiator weight:	



Built-in power box: 44\*129\*270mm

### Large Galaxy Rainbow Light

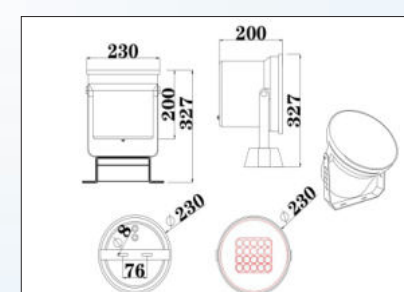
Shell Material:	Aluminum Alloy
Aluminum substrate size:	
Single color high voltage 3535 light board:	
Single color high voltage 3535 light board:	
Outer box size (cm)	
Profile radiator weight:	



Built-in power box: 44\*28\*270mm

### Mercedes Benz Rainbow Lights

Shell Material:	Aluminum Alloy
Aluminum substrate size:	
Single color high voltage 3535 light board:	
Single color high voltage 3535 light board:	
Outer box size (cm)	
Profile radiator weight:	



Built-in power box: 44\*28\*270mm

### Bucket Rainbow Light

Shell Material:	Aluminum Alloy
Aluminum substrate size:	
Single color high voltage 3535 light board:	
Single color high voltage 3535 light board:	
Outer box size (cm)	
Profile radiator weight:	



# Little Warrior

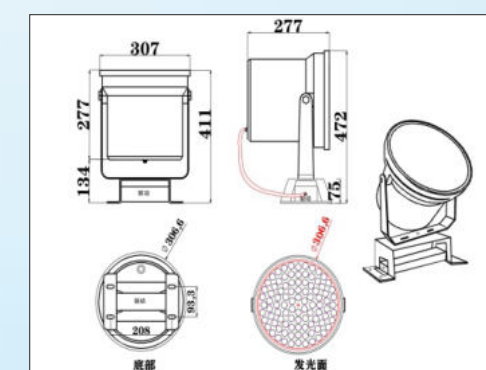
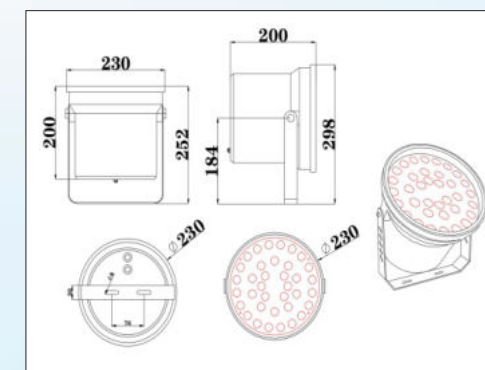
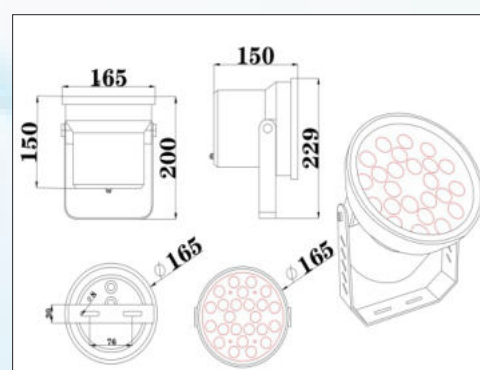
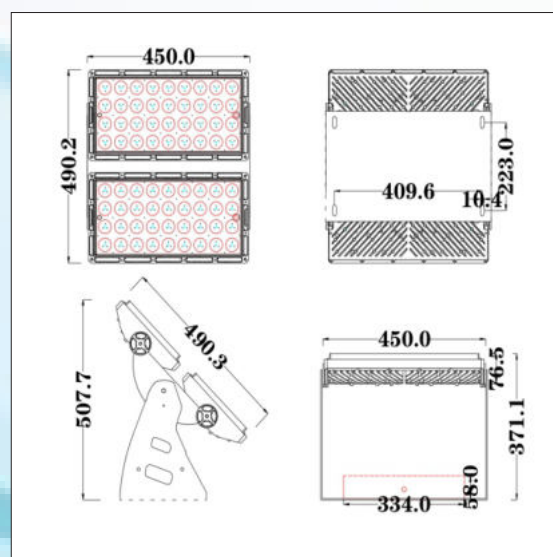
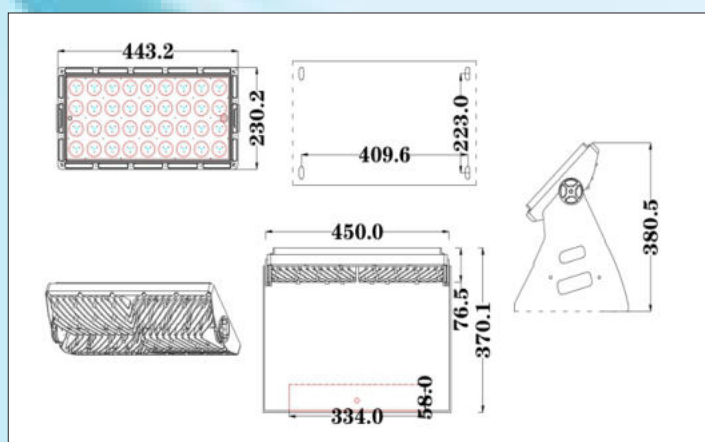
system List

Little Warrior series

# Bucket Light

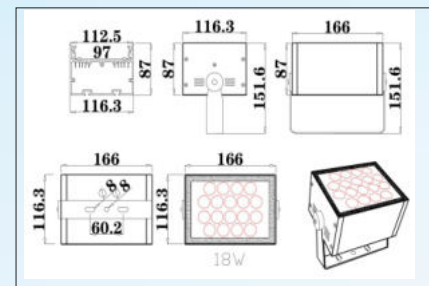
system List

Bucket light series





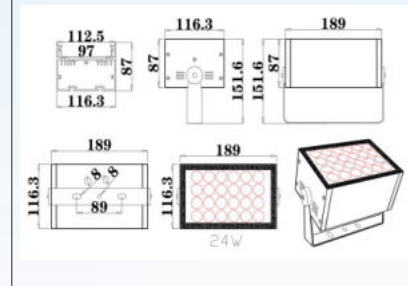
# Galaxy Flight Small Number



Built-in power box: 129\*44\*140mm

## 116 Small Galaxy 18 beads (flat mouth)

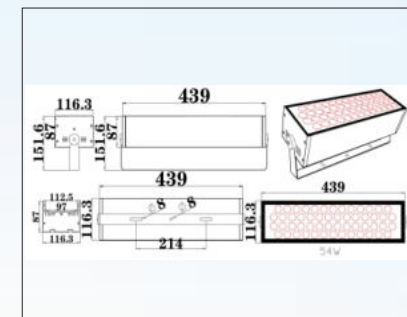
Shell Material:	Aluminum Alloy
Aluminum substrate size:	96*126mm
Single color high voltage 3030 light board:	18*1W (9 series and 2 parallel)
Single color low voltage 3030 light board:	18*1W (3 series and 6 parallel)
Single color high voltage 3535 light board:	6*3W X PE (6 series and 1 parallel)
Outer box size (cm)	44*42*31cm (16 pieces per box)
Profile radiator weight:	0.5KG



Built-in power box: 98\*37\*170mm

## 116 Small Galaxy 24 beads (flat mouth)

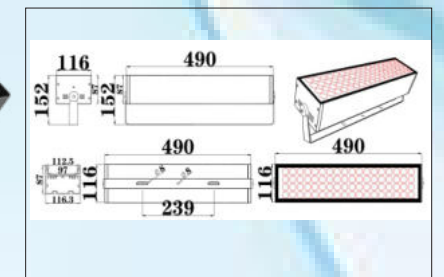
Shell Material:	Aluminum Alloy
Aluminum substrate size:	96*150mm
Single color high voltage 3030 light board:	24*1W (12 in series and 2 in parallel)
Single color low voltage 3030 light board:	24*1W (8 series and 3 parallel)
Single color high voltage 3535 light board:	8*3W (8 series and 1 parallel)
Outer box size (cm)	57*28*36cm (15 pieces per box)
Profile radiator weight:	0.6KG



Built-in power box: 98\*37\*470mm

## Small Galaxy imitation flying 54 beads (flat mouth)

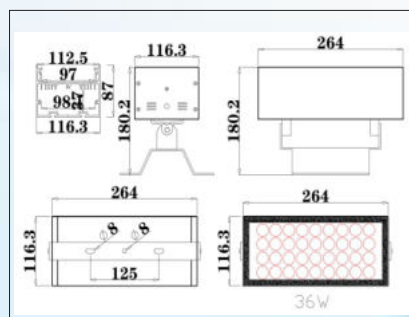
Shell Material:	Aluminum Alloy
Aluminum substrate size:	96*400mm
Single color high voltage 3030 light board:	54*1W (12 in series and 2 in parallel)
Single color high voltage 3535 light board:	18*3W X PE (2 series and 9 parallel)
Outer box size (cm)	49*33.5*31cm (1 box of 6)
Profile radiator weight:	1.5KG



Built-in power box: 98\*37\*470mm

## 116 Small Galaxy 72 Beads (Flat Mouth)

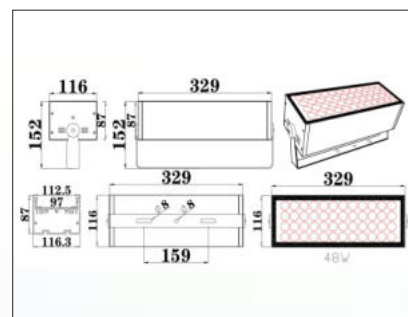
Shell Material:	Aluminum Alloy
Aluminum substrate size:	96*450mm
Single color high voltage 3030 light board:	72*1W (18 series and 2 parallel)
Outer box size (cm)	53.5*33.5*31cm (1 box of 6)
Profile radiator weight:	1.8KG



Built-in power box: 98\*37\*245mm

## Small Galaxy imitation flying 36 beads (flat mouth)

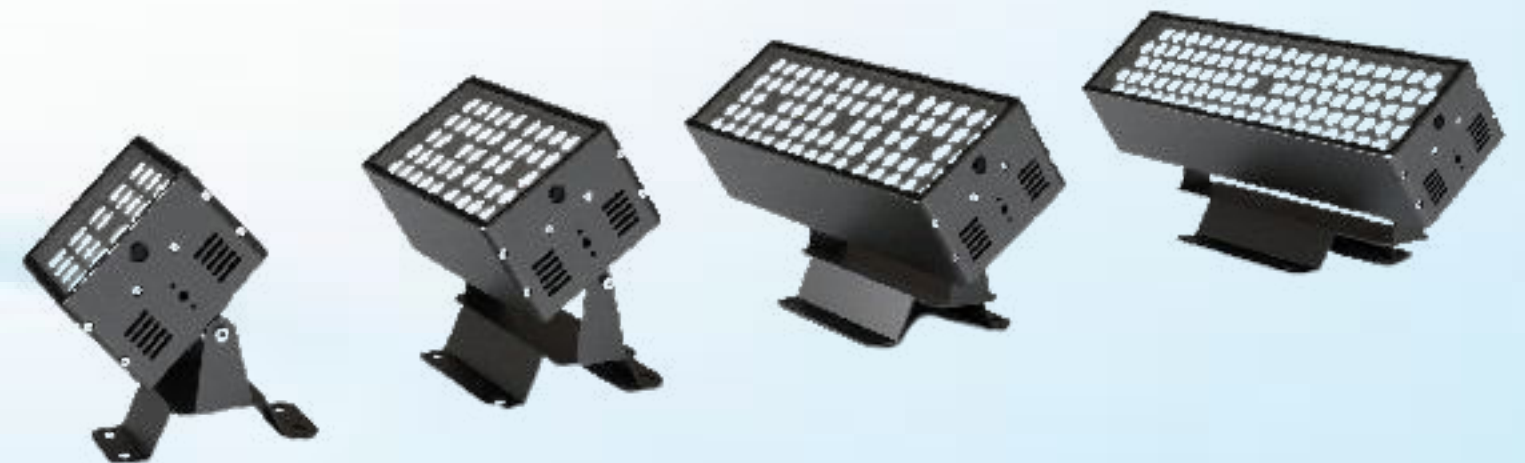
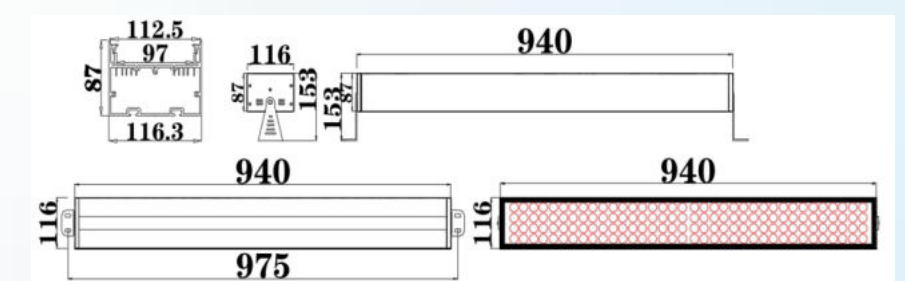
Shell Material:	Aluminum Alloy
Aluminum substrate size:	96*220mm
Single color high voltage 3030 light board:	36 * 1W (18 series and 2 parallel)
Single color low voltage 3030 light board:	36 * 1W (12 series and 3 parallel)
Single color high voltage 3535 light board:	12*3W (6 series and 2 parallel)
Outer box size (cm)	55*31.2*31cm (1 box of 10)
Profile radiator weight:	0.9KG



Built-in power box: 98\*37\*310mm

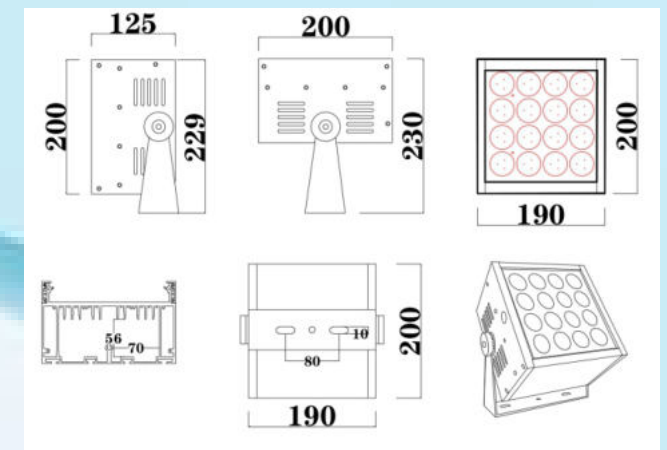
## 116 Small Galaxy 48 beads (flat mouth)

Shell Material:	Aluminum Alloy
Aluminum substrate size:	96*290mm
Single color high voltage 3030 light board:	48 * 1W (12 series and 4 parallel)
Single color low voltage 3030 light board:	48 * 1W (16 series and 3 parallel)
Single color high voltage 3535 light board:	16*3W (8 series and 2 parallel)
Outer box size (cm)	44*37.7*31cm (1 box of 8)
Profile radiator weight:	1.2KG



# New Products big Number

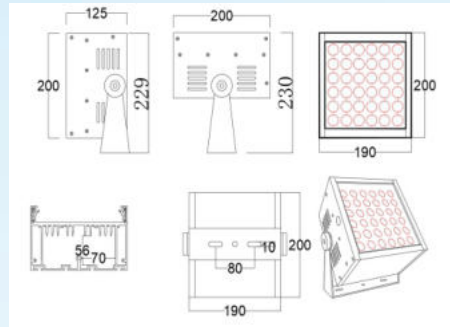
Xiaoxiao Galaxy Feifel



Built-in power box: 70\*56\*162mm

## Large Galaxy 16 beads (flat mouth)

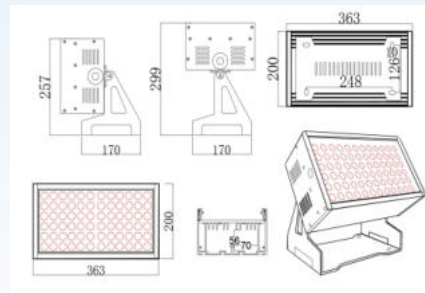
Shell Material:	Aluminum Alloy
Aluminum substrate size:	166*162mm
Single color high voltage 3535 light board:	24*2W X PE (12 series and 2 parallel) 36*1.5W (3B12C)
Single color high voltage 3535 light board:	16*3W X PE (2B8C) 32*3W (4B8C) Large lens
RG B 3535 light board:	24*2W X PE (4 series and 4 parallel) 36*2W (6C6B) 16*3W (2C2B) 32*3W (8B4C)
RG BW 3 535 light board:	16* 3W (4 series and 4parallel) 24 * 2W (6C4B) 36*2W (6C6B)
Outer box size (cm)	39.5*21*19.5cm (1 box of 1)
Profile radiator weight:	1.7KG



Built-in power box: 70\*56\*162mm

## Large Galaxy 36 beads (flat mouth)

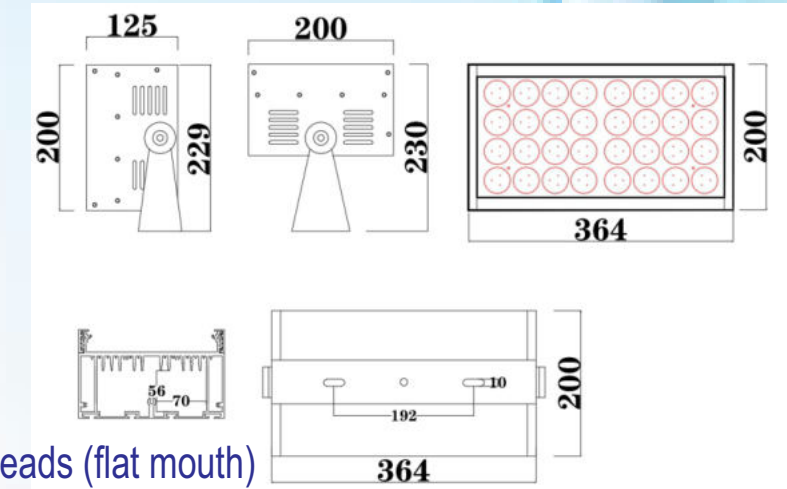
Shell Material:	Aluminum Alloy
Aluminum substrate size:	166*162mm
Single color high voltage 3535 light board:	24*2W X PE (12 series, 2 parallel) 36*1.5W (3B12C) Conventional small lens
Single color high voltage 3535 light board:	16*3W X PE (2B8C) 32*3W (4B8C) Large lens
RG B 3535 light board:	24*2W X PE (4 series and 4 parallel) 36*2W (6C6B) 16*3W (2C2B) 32*3W (8B4C)
RG BW 3 535 light board:	16* 3W (4 series and 4parallel) 24 * 2W (6C4B) 36*2W (6C6B)
Outer box size (cm)	39.5*21*19.5cm (1 box of 1)
Profile radiator weight:	1.7KG



Built-in power box: 70\*56\*330mm

## Large Galaxy 72 beads (flat mouth)

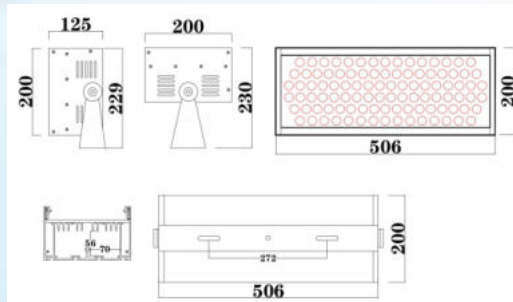
Shell Material:	Aluminum Alloy
Aluminum substrate size:	166*330mm
Single color high voltage 3535 light board:	24*2W X PE (12 series and 2 parallel) 36*1.5W (3B12C)
Single color high voltage 3535 light board:	16*3W X PE (2B8C) 32*3W (4B8C) Large lens
RG B 3535 light board:	24*2W X PE (4 series and 4 parallel) 36*2W (6C6B) 16*3W (2C2B) 32*3W (8B4C)
RG BW 3 535 light board:	16* 3W (4 series and 4parallel) 24 * 2W (6C4B) 36*2W (6C6B)
Outer box size (cm)	39.5*21*19.5cm (1 box of 1)
Profile radiator weight:	3.6KG



Built-in power box: 70\*56\*330mm

## Large Galaxy 32 beads (flat mouth)

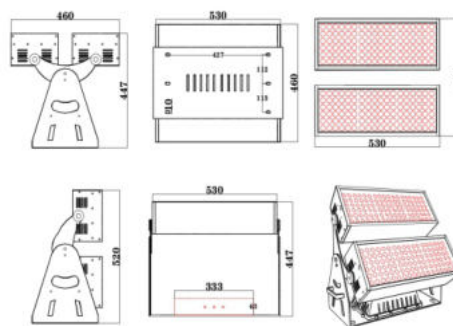
Shell Material:	Aluminum Alloy
Aluminum base plate size: (two plates spliced together)	166*330mm
Single color high voltage 3535 light board:	24*2W X PE (12 series and 2 parallel) 36*1.5W (3B12C)
Single color high voltage 3535 light board:	16*3W X PE (2B8C) 32*3W (4B8C) Large lens
RG B 3535 light board:	24*2W X PE (4 series and 4 parallel) 36*2W (6C6B) 16*3W (2C2B) 32*3W (8B4C)
RG BW 3 535 light board:	16* 3W (4 series and 4parallel) 24 * 2W (6C4B) 36*2W (6C6B)
Outer box size (cm)	39.5*21*19.5cm (1 box of 1)
Profile radiator weight:	3.6KG



Built-in power box: 70\*56\*500mm

## Large Galaxy 100 beads (flat mouth)

Shell Material:	Aluminum Alloy
Aluminum substrate size:	166*480mm
Single color high voltage 3535 light board:	24*2W X PE (12 series, 2 parallel) 36*1.5W (3B12C) Conventional small lens
Single color high voltage 3535 light board:	16*3W X PE (2B8C) 32*3W (4B8C) Large lens
RG B 3535 light board:	24*2W X PE (4 series and 4 parallel) 36*2W (6C6B) 16*3W (2C2B) 32*3W (8B4C)
RG BW 3 535 light board:	16* 3W (4 series and 4parallel) 24 * 2W (6C4B) 36*2W (6C6B)
Outer box size (cm)	39.5*21*19.5cm (1 piece per box)
Profile radiator weight:	5.4KG

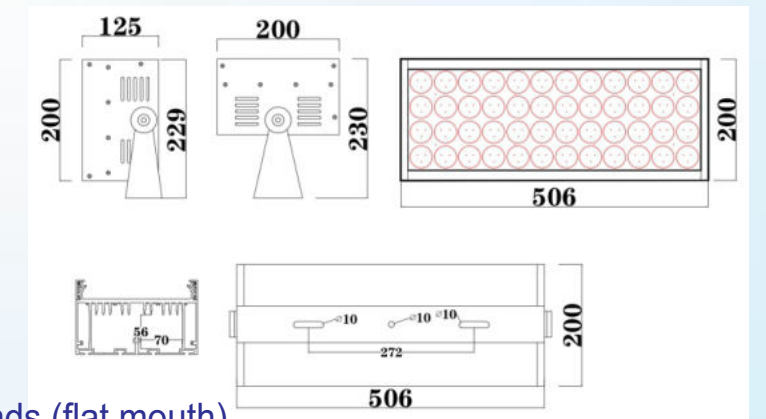


Built-in power box: 70\*56\*500mm

External power box: 63\*260\*333mm

## Large Galaxy 216 beads (flat)

Shell Material:	Aluminum Alloy
Aluminum substrate size:	166*500mm
Single color high voltage 3535 light board:	24*2W X PE (12 series and 2 parallel) 36*1.5W (3B12C)
Single color high voltage 3535 light board:	16*3W X PE (2B8C) 32*3W (4B8C) Large lens
RG B 3535 light board:	24*2W X PE (4 series and 4 parallel) 36*2W (6C6B) 16*3W (2C2B) 32*3W (8B4C)
RG BW 3 535 light board:	16* 3W (4 series and 4parallel) 24 * 2W (6C4B) 36*2W (6C6B)
Outer box size (cm)	39.5*21*19.5cm (1 box of 1)
Profile radiator weight:	5.4KG one individual

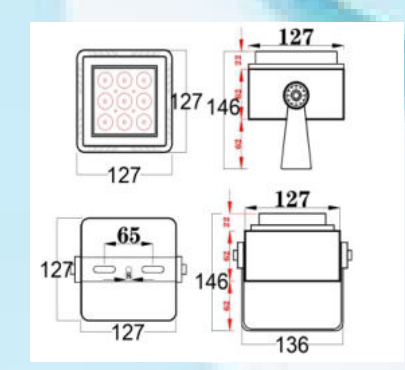


## Large Galaxy 48 beads (flat mouth)

Shell Material:	Aluminum Alloy
Aluminum substrate size:	166*478mm
Single color high voltage 3535 light board:	100*2W X PE (5 series and 10 parallel) X2L
Single color high voltage 3535 light board:	48*3W X PE (12 series and 2 parallel)
RG B 3535 light board:	48*3W X PE (6 series and 8 parallel)
RG BW 3 535 light board:	48*3W X PE (6 series and 8 parallel)
Outer box size (cm)	
Profile radiator weight:	4.7KG



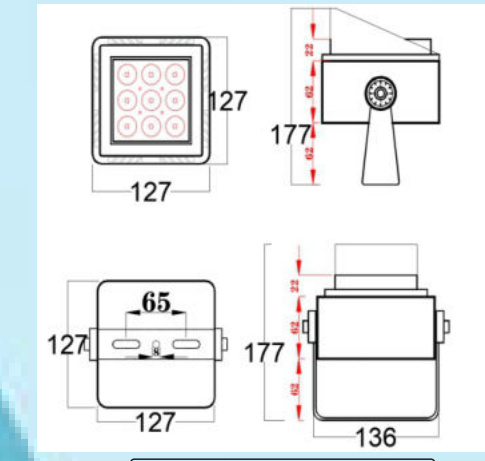
# New product: Die-cast light cube



Built-in power box: 40\*40\*110mm

## 127 Small Light Cube 9 Beads Flat Mouth

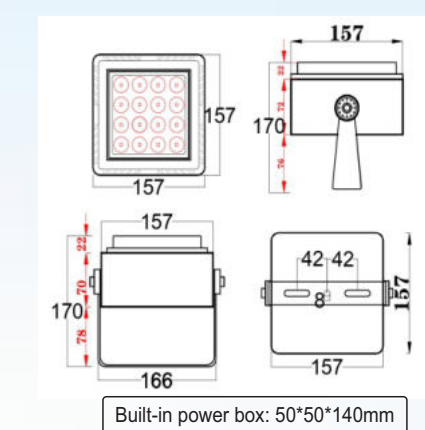
Shell Material:	Aluminum Alloy
Aluminum substrate size:	72*72mm
Single color high voltage 3535 light board:	G L-20670 4P-12W -4C1B 72X72MM
Single color high voltage 3535 light board:	G L-20393 9P-18W -9C1B 72X72MM
Outer box size (cm)	68*34.5*31.5(20 pieces per box)
Profile radiator weight:	



Built-in power box: 40\*40\*110mm

## 127 Small Light Cube 9 Beads Oblique Mouth

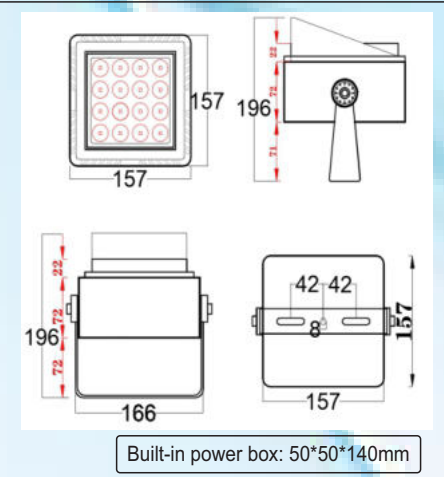
Shell Material:	Aluminum Alloy
Aluminum substrate size:	72*72mm
Single color high voltage 3535 light board:	G L-20670 4P-12W -4C1B 72X72MM
Single color high voltage 3535 light board:	G L-20393 9P-18W -9C1B 72X72MM
Outer box size (cm)	68*34.5*31.5(20 pieces per box)
Profile radiator weight:	



Built-in power box: 50\*50\*140mm

## 157 Medium Light Cube 16 Beads Flat Mouth

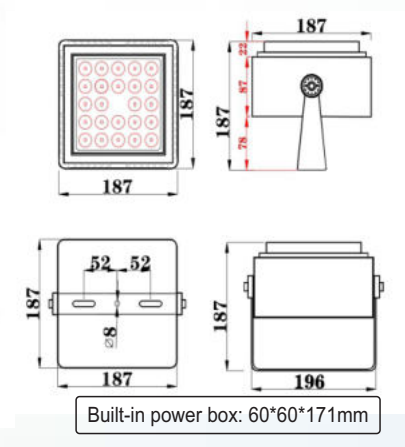
Shell Material:	Aluminum Alloy
Aluminum substrate size:	102*102mm
Single color high voltage 3535 light board:	G L20389 9P-27W -9C1B 102 X102MM
Single color high voltage 3535 light board:	G L-20396 16P-24W -8C2B 102X102MM
Outer box size (cm)	69*39.3*36.8(20 pieces per box)
Profile radiator weight:	



Built-in power box: 50\*50\*140mm

## 157 Medium Light Cube 16 Beads Oblique Mouth

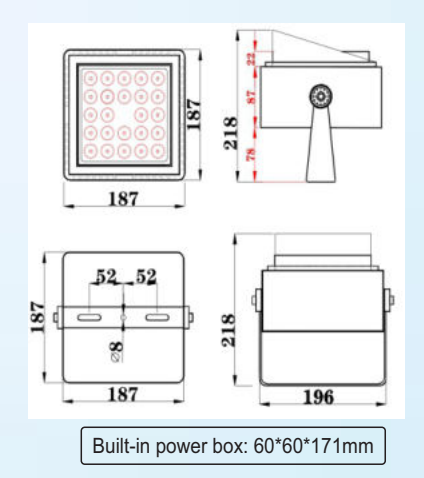
Shell Material:	Aluminum Alloy
Aluminum substrate size:	102*102mm
Single color high voltage 3535 light board:	G L20389 9P-27W -9C1B 102 X102MM
Single color high voltage 3535 light board:	G L-20396 16P-24W -8C2B 102X102MM
Outer box size (cm)	69*39.3*36.8(20 pieces per box)
Profile radiator weight:	



Built-in power box: 60\*60\*171mm

## 187 Large Light Cube 24 Beads Flat Mouth

Shell Material:	Aluminum Alloy
Aluminum substrate size:	135*135mm
Single color high voltage 3535 light board:	G B M -21092 24W -XPE-2B12C-127X135MM
Single color high voltage 3535 light board:	L-20395 12P-36W -12C1B 135X135
Low voltage 3030 lamp board:	G L-21501 24W -3030-3C8B-DC24V
RG B RG BW Lightplate:	12P-6C2B
Outer box size (cm)	68.5*23.3*43.2cm (10 pieces per box)
Profile radiator weight:	

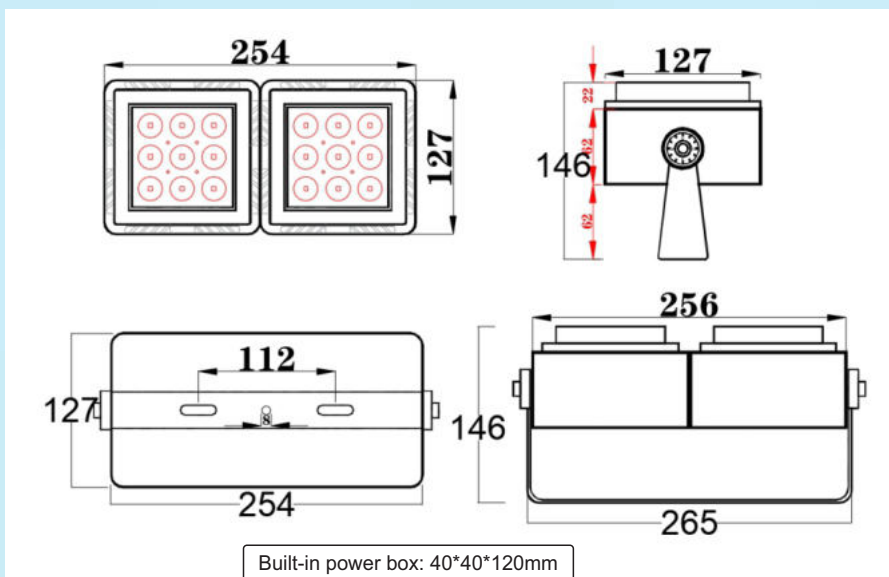


Built-in power box: 60\*60\*171mm

## 187 Large Light Cube 24 Beads Oblique Mouth

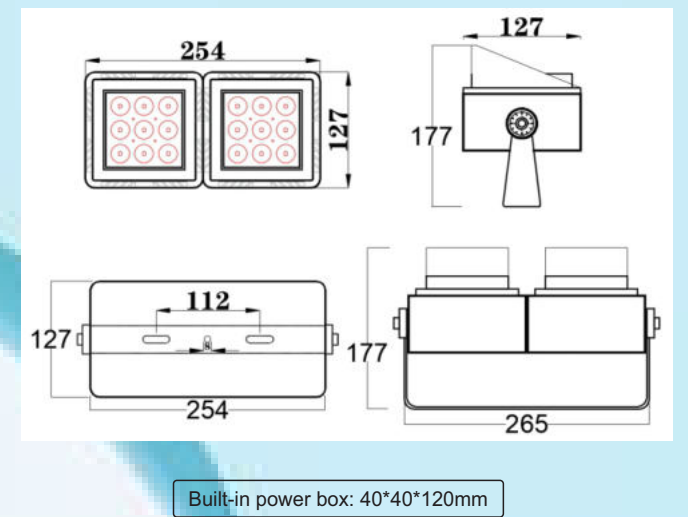
Shell Material:	Aluminum Alloy
Aluminum substrate size:	135*135mm
Single color high voltage 3535 light board:	G B M -21092 24W -XPE-2B12C-127X135MM
Single color high voltage 3535 light board:	L-20395 12P-36W -12C1B 135X135
Low voltage 3030 lamp board:	G L-21501 24W -3030-3C8B-DC24V
RG B RG BW Lightplate:	12P-6C2B
Outer box size (cm)	68.5*23.3*43.2cm (10 pieces per box)
Profile radiator weight:	

CC-10984



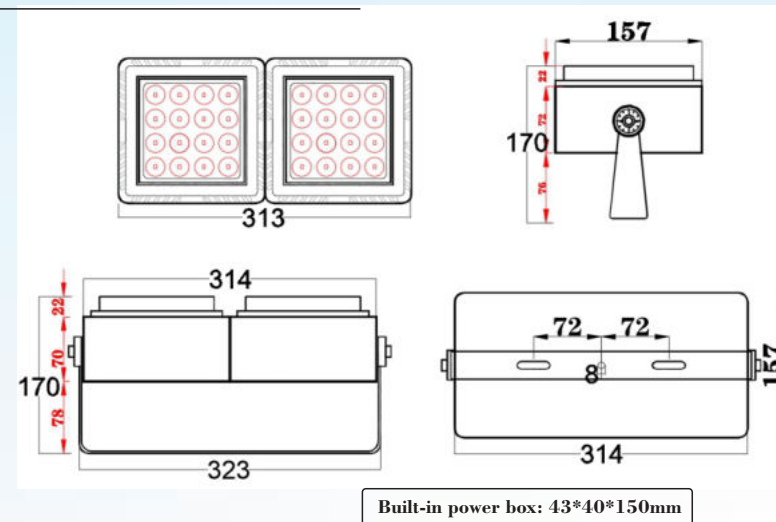
### 127 Small Light Cube 18 Beads Flat

Shell Material:	Aluminum Alloy		
Aluminum substrate size:	72*72mm		
Single color high voltage 3535 light board:	G L-20670 4P-12W	-4C1B 72X72M	M
Single color high voltage 3535 light board:	G L-20393 9P-18W	-9C1B 72X72M	M
Outer box size (cm)			
Profile radiator weight:			



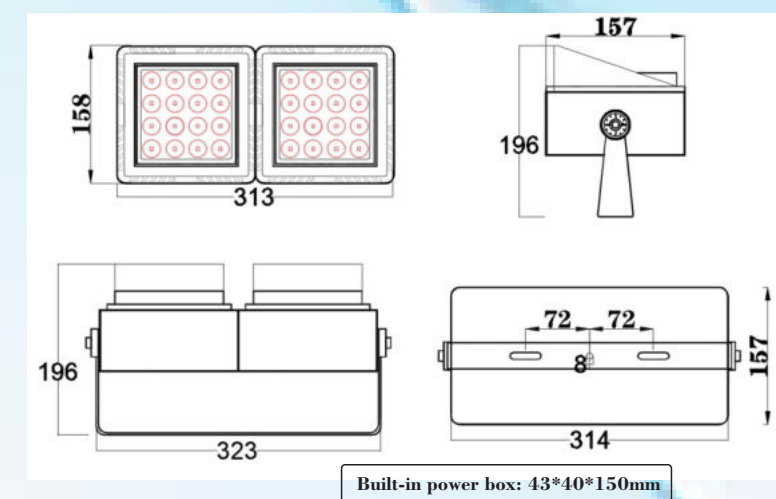
### 127 Small Light Cube 18 Beads Oblique Mouth

Shell Material:	Aluminum Alloy		
Aluminum substrate size:	72*72mm		
Single color high voltage 3535 light board:	G L-20670 4P-12W	-4C1B 72X72M	M
Single color high voltage 3535 light board:	G L-20393 9P-18W	-9C1B 72X72M	M
Outer box size (cm)			
Profile radiator weight:			



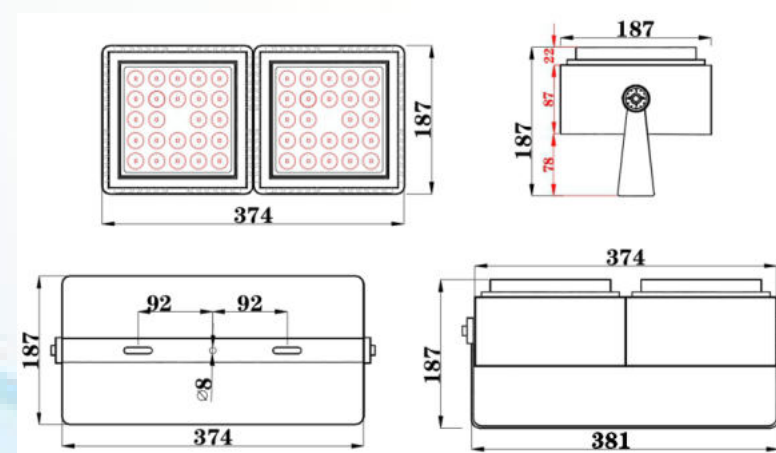
### 157 Medium Light Cube 32 Beads Flat

Shell Material:	Aluminum Alloy		
Aluminum substrate size:	102*102mm		
Single color high voltage 3535 light board:	G L20389 9P-27W	-9C1B 102 X102MM	
Single color high voltage 3535 light board:	G L-20396 16P-24W	-8C2B 102X102MM	
Outer box size (cm)	69*39.3*36.8(8 pieces per box)		
Profile radiator weight:			



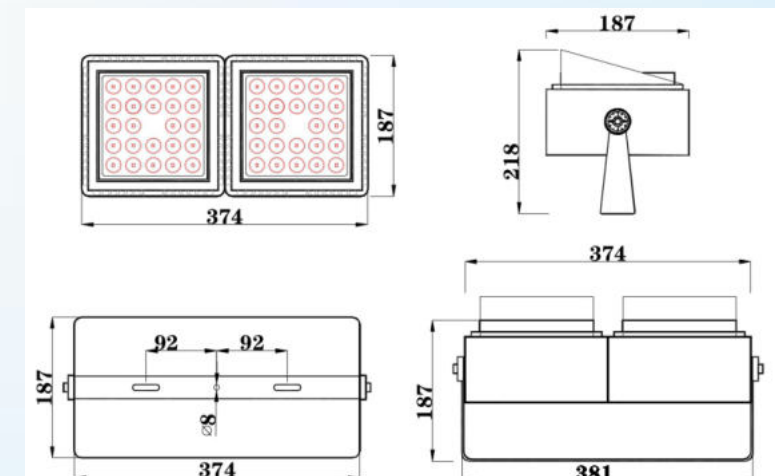
### 157 Medium Light Cube 32 Beads Oblique Mouth

Shell Material:	Aluminum Alloy		
Aluminum substrate size:	102*102mm		
Single color high voltage 3535 light board:	G L20389 9P-27W	-9C1B 102 X102MM	
Single color high voltage 3535 light board:	G L-20396 16P-24W	-8C2B 102X102MM	
Outer box size (cm)	69*39.3*36.8(8 pieces per box)		
Profile radiator weight:			



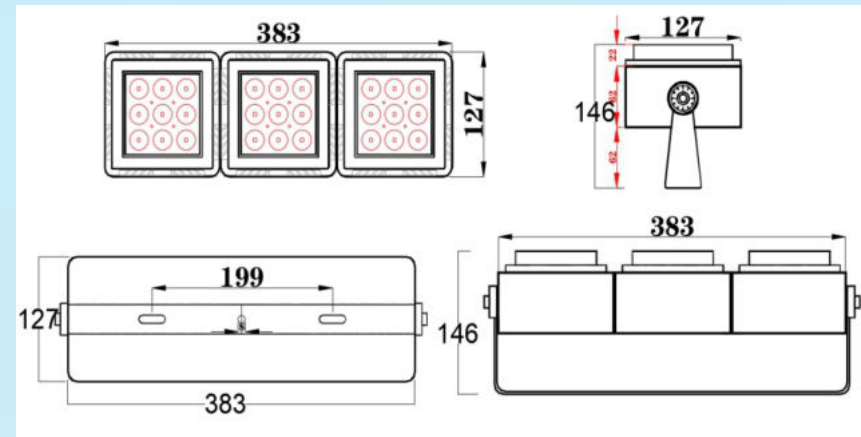
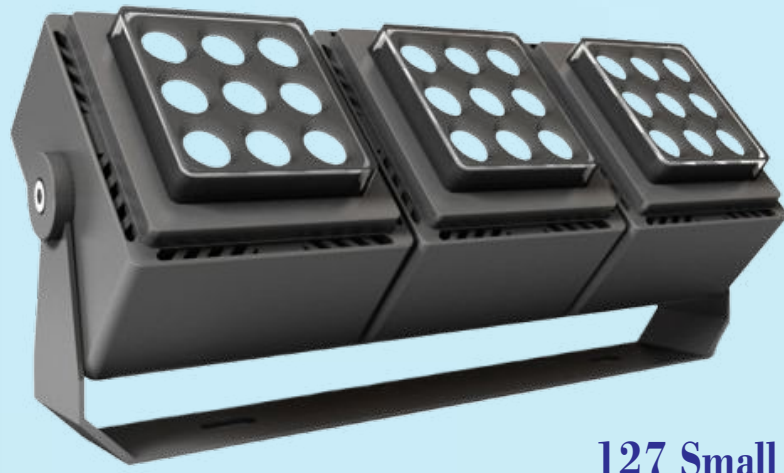
### 187 Large Light Cube 48 Beads Flat Mouth

Shell Material:	Aluminum Alloy		
Aluminum substrate size:	135*135mm		
Single color high voltage 3535 light board:	G B M -21092 24W	-XPE-2B12C-127X135M	
Single color high voltage 3535 light board:	L-20395 12P-36W	-12C1B 135X136	
Low voltage 3030 lamp board:	G L-21501 24W	-3030-3C8B-DC24V	
RG B RG BW Lightplate:	12P-6C2B		
Outer box size (cm)	41.5*41*43.8cm (6 pieces per box)		
Profile radiator weight:			



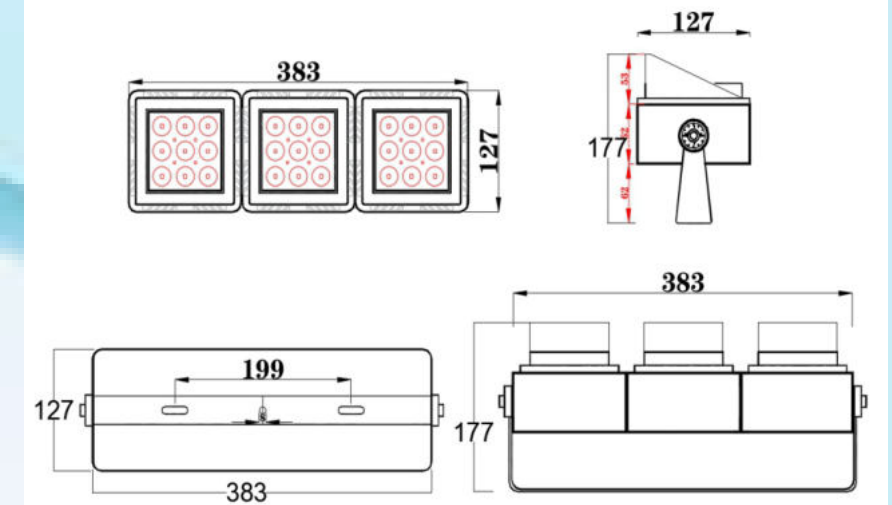
### 187 Large Light Cube 48 Beads Oblique Mouth

Shell Material:	Aluminum Alloy		
Aluminum substrate size:	135*135mm		
Single color high voltage 3535 light board:	G B M -21092 24W	-XPE-2B12C-127X135M	
Single color high voltage 3535 light board:	L-20395 12P-36W	-12C1B 135X136	
Low voltage 3030 lamp board:	G L-21501 24W	-3030-3C8B-DC24V	
RG B RG BW Lightplate:	12P-6C2B		
Outer box size (cm)	41.5*41*43.8cm (6 pieces per box)		
Profile radiator weight:			



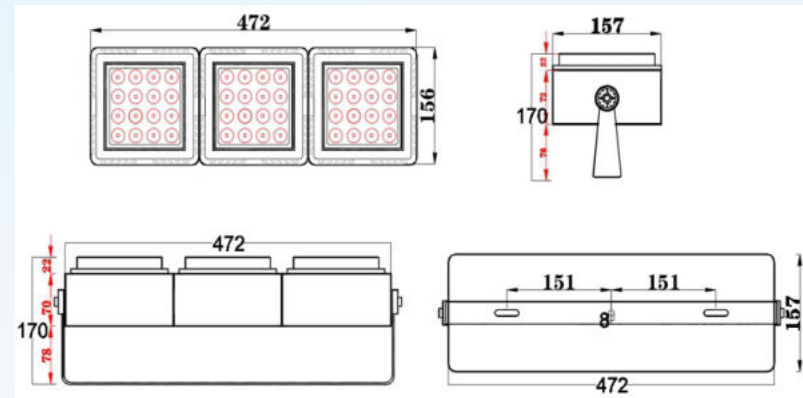
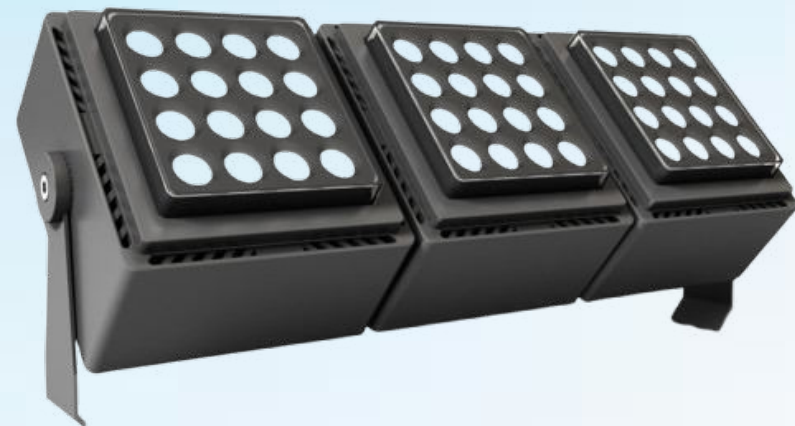
### 127 Small Light Cube 27 Beads Flat Mouth

Shell Material:	Aluminum Alloy	
Aluminum substrate size:	72*72mm	
Single color high voltage 3535 light board:	G L-20670 4P-12W	-4C1B 72X72MM
Single color high voltage 3535 light board:	G L-20393 9P-18W	-9C1B 72X72MM
Outer box size (cm)		
Profile radiator weight:		



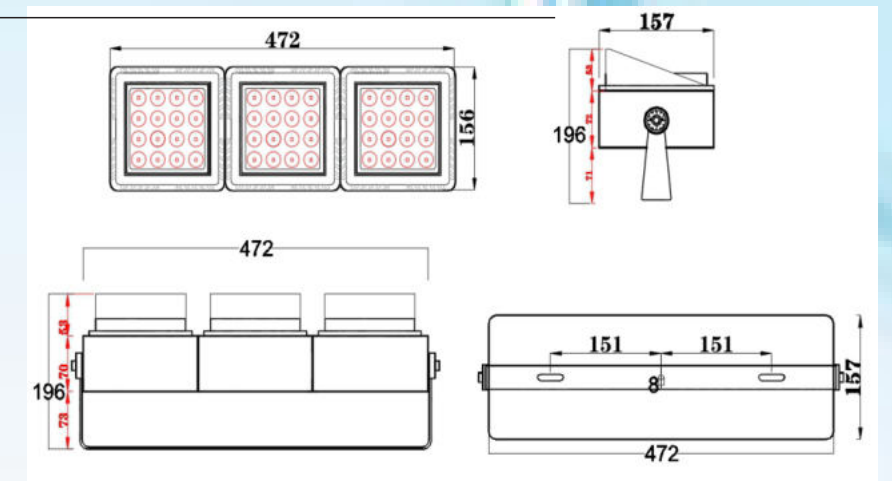
### 127 Small Light Cube 27 Beads Oblique Mouth

Shell Material:	Aluminum Alloy	
Aluminum substrate size:	72*72mm	
Single color high voltage 3535 light board:	G L-20670 4P-12W	-4C1B 72X72MM
Single color high voltage 3535 light board:	G L-20393 9P-18W	-9C1B 72X72MM
Outer box size (cm)		
Profile radiator weight:		



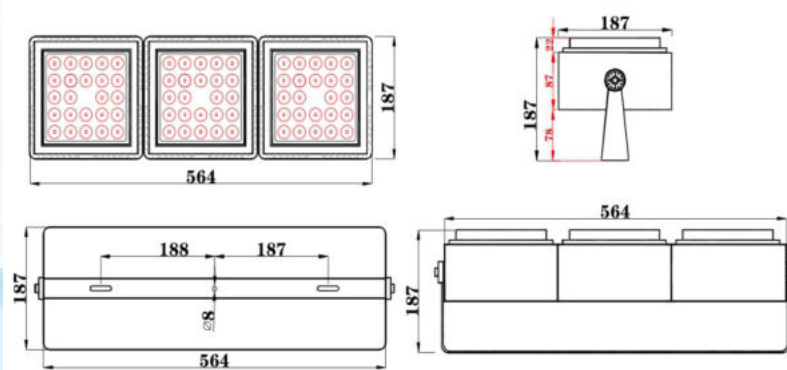
### 157 Medium Light Cube 48 Beads Flat Mouth

Shell Material:	Aluminum Alloy	
Aluminum substrate size:	102*102mm	
Single color high voltage 3535 light board:	G L20389 9P-27W	-9C1B 102 X102MM
Single color high voltage 3535 light board:	G L-20396 16P-24W	-8C2B 102X102MM
Outer box size (cm)	69*39.3*36.8(8 pieces per box)	
Profile radiator weight:		



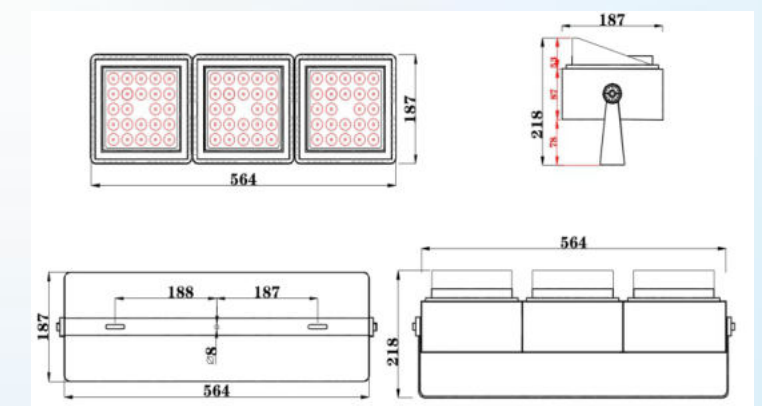
### 157 Medium Light Cube 48 Beads Oblique Mouth

Shell Material:	Aluminum Alloy	
Aluminum substrate size:	102*102mm	
Single color high voltage 3535 light board:	G L20389 9P-27W	-9C1B 102 X102MM
Single color high voltage 3535 light board:	G L-20396 16P-24W	-8C2B 102X102MM
Outer box size (cm)	69*39.3*36.8(8 pieces per box)	
Profile radiator weight:		



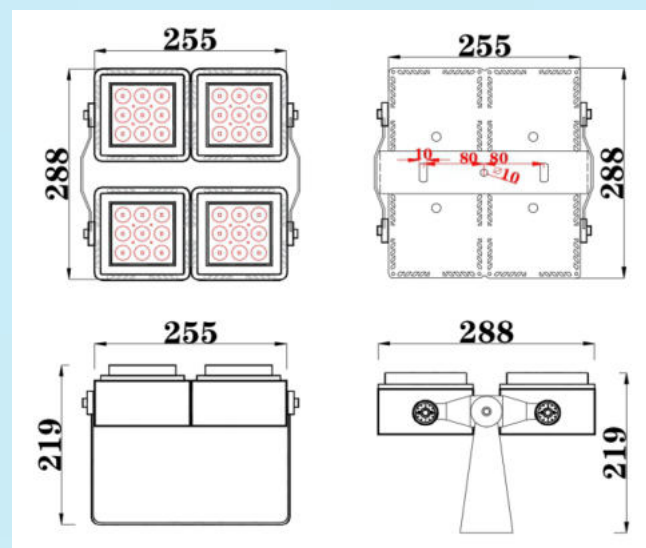
### 187 Large Light Cube 72 Beads Flat

Shell Material:	Aluminum Alloy	
Aluminum substrate size:	135*135mm	
Single color high voltage 3535 light board:	G B M -21092 24W	-XPE-2B12C-127X135MM
Single color high voltage 3535 light board:	L-20395 12P-36W	-12C1B 135X136
Low voltage 3030 lamp board:	G L-21501 24W	-3030-3C8B-DC24V
RG B RG BW Light plate:	12P-6C2B	
Outer box size (cm)		
Profile radiator weight:		



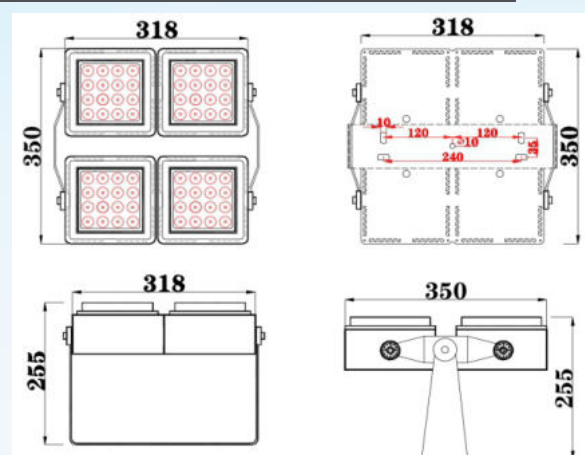
### 187 Large Light Cube 72 Beads Oblique Mouth

Shell Material:	Aluminum Alloy	
Aluminum substrate size:	135*135mm	
Single color high voltage 3535 light board:	G B M -21092 24W	-XPE-2B12C-127X135MM
Single color high voltage 3535 light board:	L-20395 12P-36W	-12C1B 135X136
Low voltage 3030 lamp board:	G L-21501 24W	-3030-3C8B-DC24V
RG B RG BW Light plate:	12P-6C2B	
Outer box size (cm)		
Profile radiator weight:		



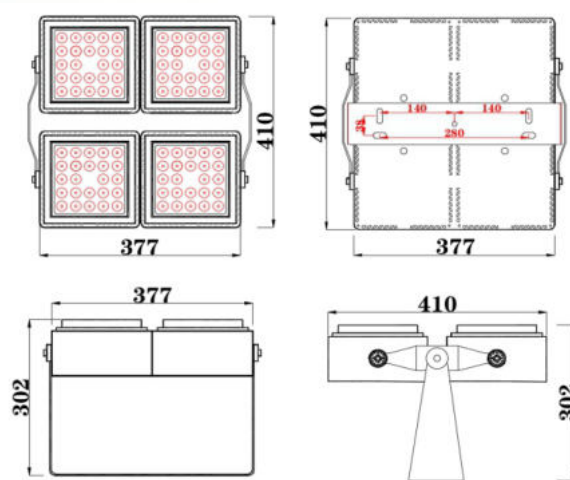
### 127 Small Light Cube 36 Beads Flat Mouth

Shell Material:	Shell Material:
Aluminum substrate size:	72*72mm
Single color high voltage 3535 light board:	G L-20670 4P-12W -4C 1B 72X72MM
Single color high voltage 3535 light board:	G L-20393 9P-18W -9C 1B 72X72MM
Outer box size (cm)	
Profile radiator weight:	



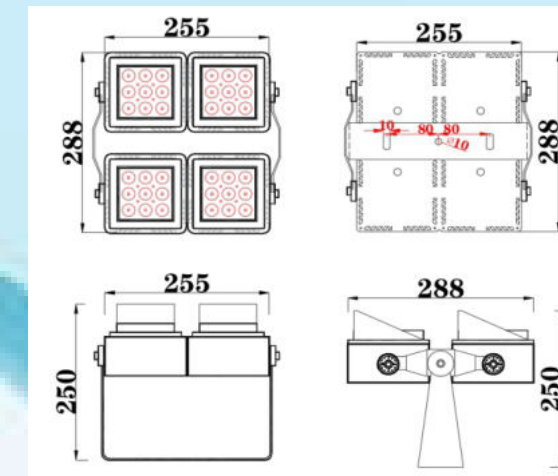
### 157 Medium Light Cube 64 Beads Flat

Shell Material:	Shell Material:
Aluminum substrate size:	102*102mm
Single color high voltage 3535 light board:	G 120389 9P-27W -9C1B 102 X102MM
Single color high voltage 3535 light board:	G L-20396 16P-24W -8C2B 102X102M
Outer box size (cm)	69*39.3*36.8(8 pieces per box)
Profile radiator weight:	



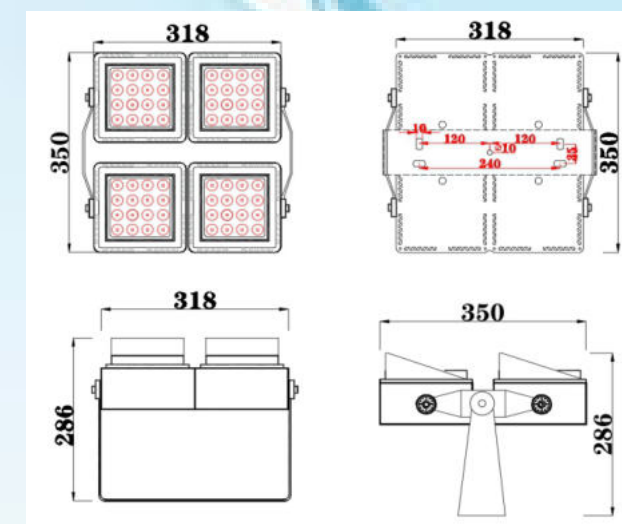
### 187 Large Light Cube 96 Beads Flat Mouth

Shell Material:	Shell Material:
Aluminum substrate size:	135*135mm
Single color high voltage 3535 light board:	G B M -21092 24W -XPE-2B12C-127X135MM
Single color high voltage 3535 light board:	L-20395 12P-36W -12C1B 135X136
Low voltage 3030 lamp board:	G L-21501 24W -3030-3C8B-DC24V
RG B RG BW Light plate:	12P-6C2B
Outer box size (cm)	
Profile radiator weight:	



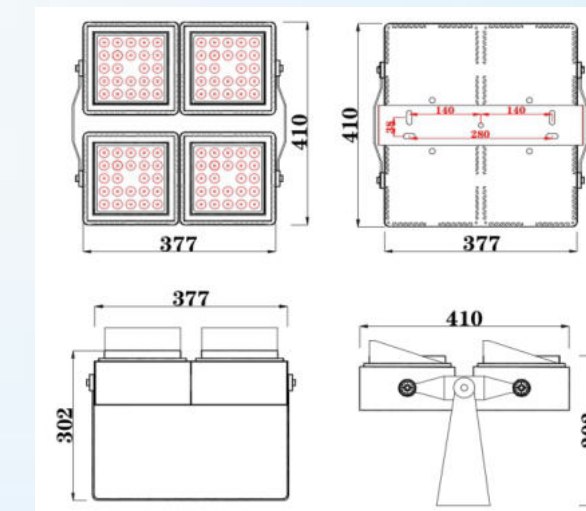
### 127 Small Light Cube 36 Beads Oblique Mouth

Shell Material:	Shell Material:
Aluminum substrate size:	72*72mm
Single color high voltage 3535 light board:	G L-20670 4P-12W -4C 1B 72X72MM
Single color high voltage 3535 light board:	G L-20393 9P-18W -9C 1B 72X72MM
Outer box size (cm)	
Profile radiator weight:	



### 157 Medium Light Cube 64 Beads Oblique Mouth

Shell Material:	Shell Material:
Aluminum substrate size:	102*102mm
Single color high voltage 3535 light board:	G 120389 9P-27W -9C1B 102 X102MM
Single color high voltage 3535 light board:	G L-20396 16P-24W -8C2B 102X102M
Outer box size (cm)	69*39.3*36.8(8 pieces per box)
Profile radiator weight:	



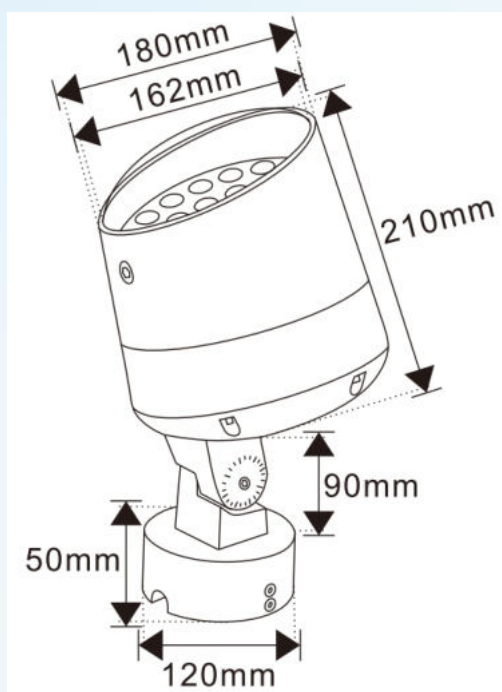
### 187 Large Light Cube 96 Beads Oblique Mouth

Shell Material:	Shell Material:
Aluminum substrate size:	135*135mm
Single color high voltage 3535 light board:	G B M -21092 24W -XPE-2B12C-127X135MM
Single color high voltage 3535 light board:	L-20395 12P-36W -12C1B 135X136
Low voltage 3030 lamp board:	G L-21501 24W -3030-3C8B-DC24V
RG B RG BW Light plate:	12P-6C2B
Outer box size (cm)	
Profile radiator weight:	



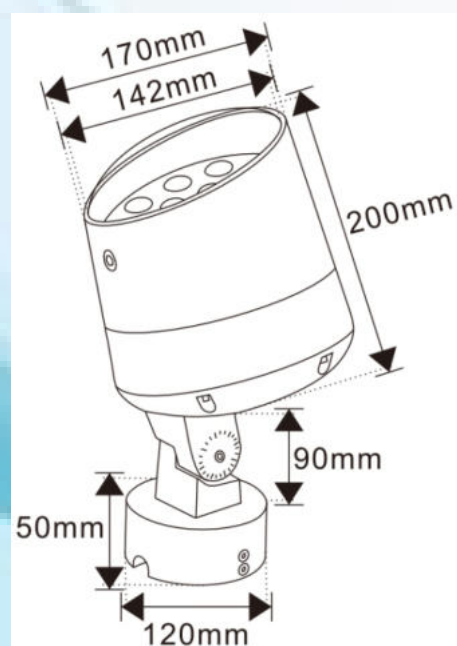


# Diamond Series



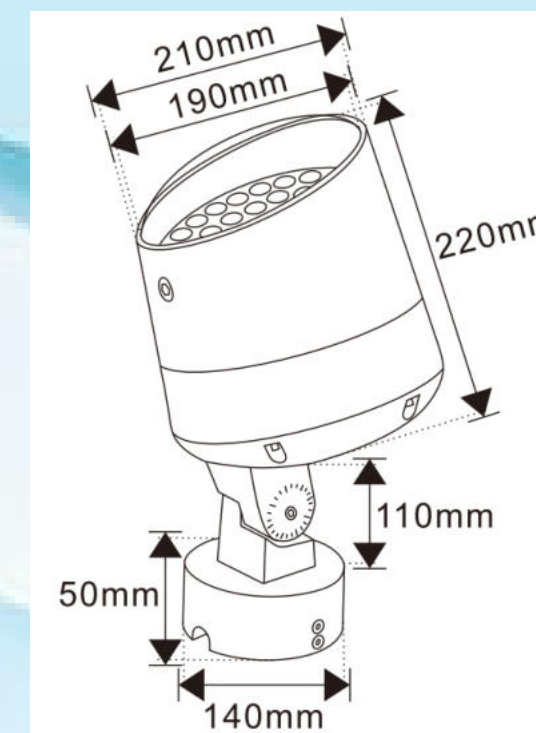
## 210 Large Diamond with Base

Shell Material:	Die-cast aluminum
Aluminum substrate size:	186mm
Single color high voltage 3535 light board:	36X2W
Single color high voltage 3535 light board:	
Low voltage 3030 lamp board:	
RG B RG BW Light plate:	
Outer box size (cm)	
Profile radiator weight:	



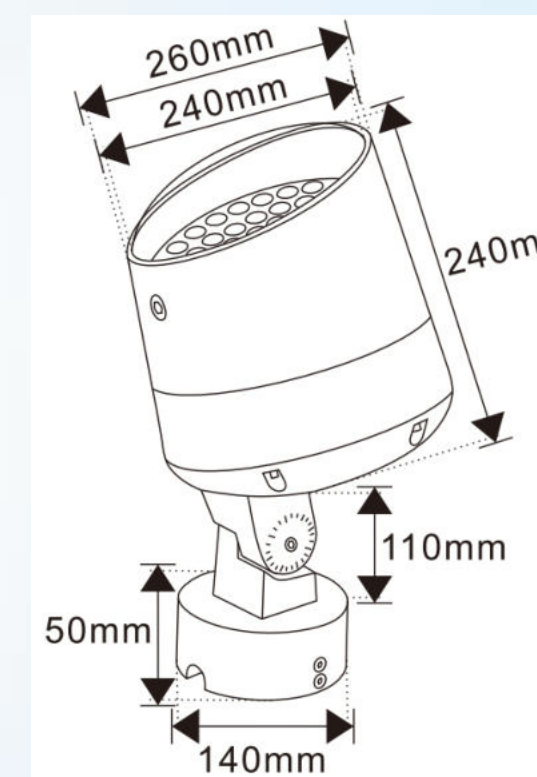
## 180 Large Diamond with Base

Shell Material:	Die-cast aluminum
Aluminum substrate size:	160mm
Single color high voltage 3535 light board:	24X2W
Single color high voltage 3535 light board:	
Low voltage 3030 lamp board:	
RG B RG BW Light plate:	
Outer box size (cm)	
Profile radiator weight:	



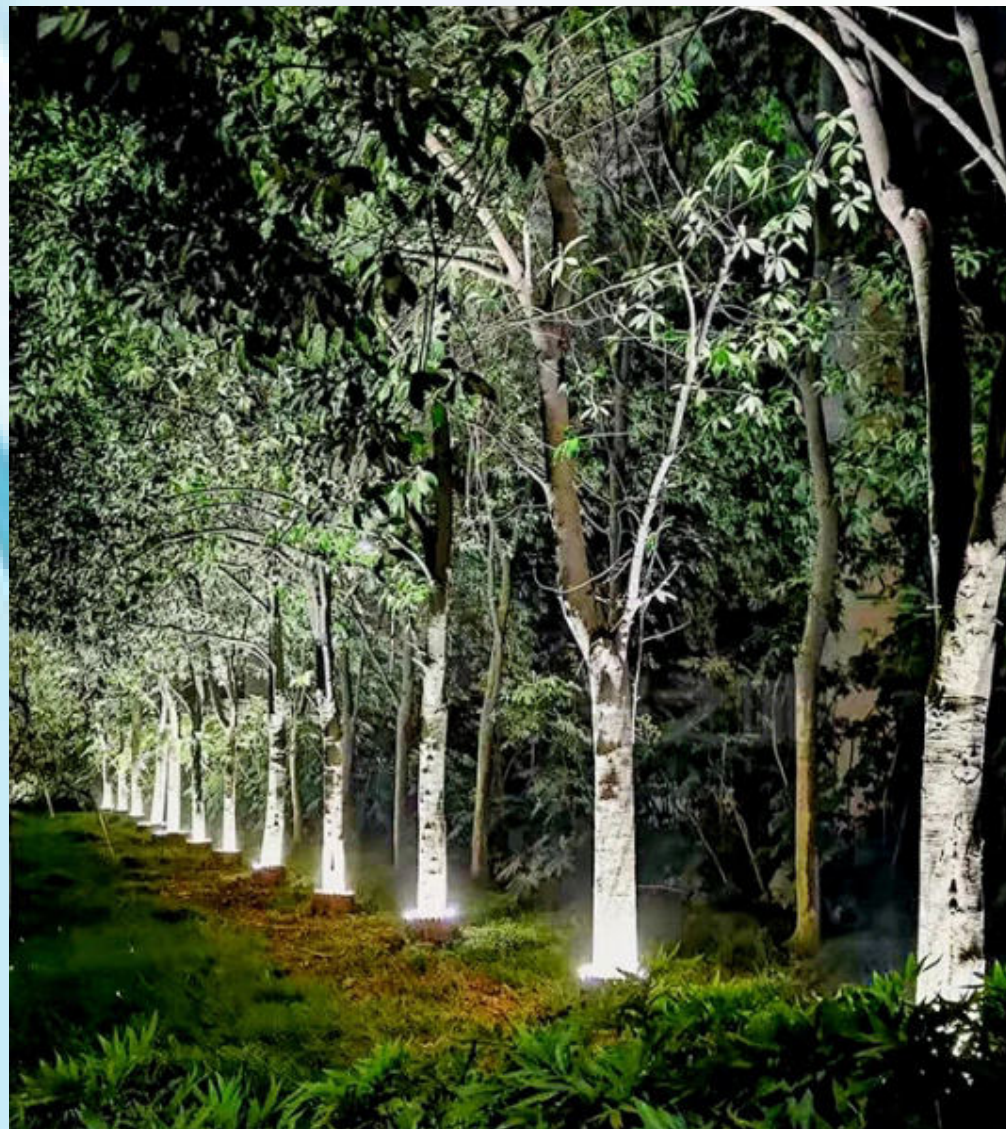
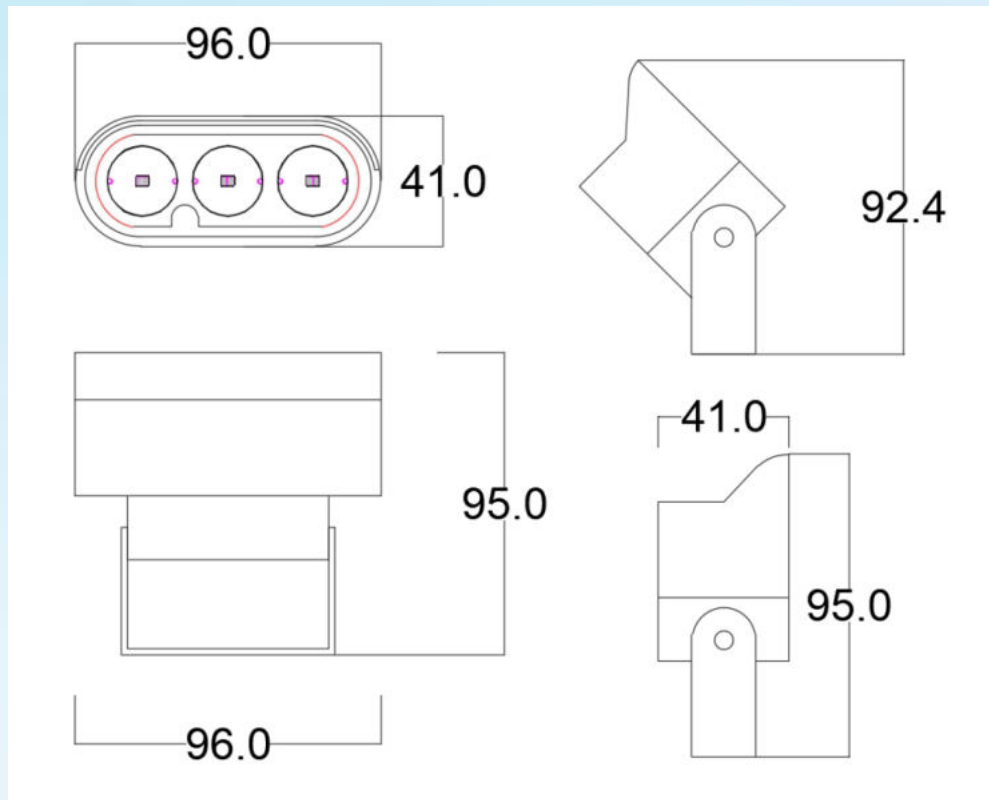
## 260 Large Diamond with Base

Shell Material:	Die-cast aluminum
Aluminum substrate size:	237mm
Single color high voltage 3535 light board:	54X2W
Single color high voltage 3535 light board:	
Low voltage 3030 lamp board:	
RG B RG BW Light plate:	
Outer box size (cm)	
Profile radiator weight:	



## 170 Large Diamond with Base

Shell Material:	Die-cast aluminum
Aluminum substrate size:	140mm
Single color high voltage 3535 light board:	18X2W
Single color high voltage 3535 light board:	
Low voltage 3030 lamp board:	
RG B RG BW Light plate:	
Outer box size (cm)	
Profile radiator weight:	





Scene display



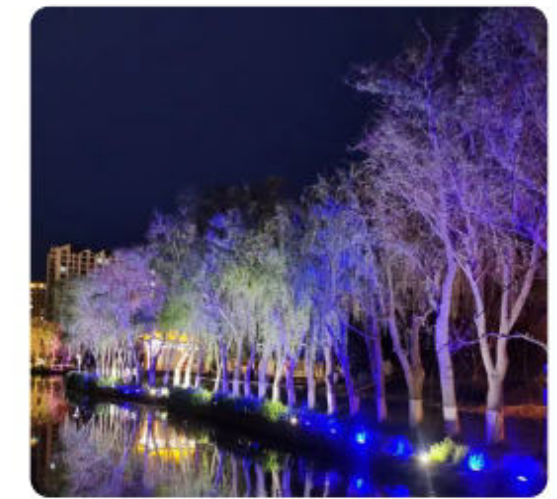
Detailed display



Hongguang floodlight COB with holder series



Scene display



Hongguang floodlight high power with seat series



001

Name 60 Dahonggiang COB socket  
Outer diameter: 60\*110mm  
Heavy glass : 7  
Power : 10W  
Material De cast aluminum  
Protection Level : IP65  
Outer box  
Number Released



002

Name 60 Dahonggiang COB with seat  
Outer diameter: 80\*130mm  
Smooth surfae : 11mm  
Power : 20W  
Material De cast aluminum  
Protection Level : IP65  
Outer box  
Packing quantity



003

Name 100 Dahonggiang COB with house  
Outer diameter: \$100\*150mm  
Luminous surface: 17mm  
Power : 30W  
Material De cast aluminum  
Protection Level : IP65  
Outer box  
Packing quantity



004

Name 100 Dahonggiang high power with seat  
Outer diameter: 60\*110mm  
Inner diameter 50mm  
Power : 3W/3.2W  
Material De cast aluminum  
Protection Level : IP65  
Outer box  
Packing quantity



005

Name 80 Dahonggiang high power with seat  
Outer diameter: 80\*130mm  
Inner diameter: 70mm  
Power : GW/G\*2W  
Material De cast aluminum  
Protection Level : IP65  
Outer box  
Packing quantity



006

Name 100 Dahonggiang high power belt seat  
Outer diameter: 100\*150mm  
Inner diameter: 92mm  
Power : 9W/9\*2W  
Material De cast aluminum  
Protection Level : IP65  
Outer box  
Packing quantity



Scene display



Detailed display



Hongguang floodlight COB plug series



Scene display



Detailed display



Jinguang floodlight high power plug series



007

Name 60 Hongguang COB with broadcast  
Outer diameter : 60\*110mm  
Luminous surface : 7mm  
Material De cast aluminum  
Protection level IP65  
Outer box  
Packing quantity



008

Name 80 Dahongguang COB type  
Outer diameter : 180\*130mm  
Luminous surface: 7mm  
Power 20W  
Material De cast aluminum  
Protection level IP65  
Outer box  
Packing quantity



009

Name 100 Hongguang COB with broadcast  
Outer diameter : 100\*150mm  
Luminous surface: 17mm  
Power 30W  
Material De cast aluminum  
Protection level IP65  
Outer box  
Packing quantity



010

Name Hongguang high power with plug  
Outer diameter : 60\*110mm  
Inner diameter : 50mm  
Power : 3W/3\*2W  
Material De cast aluminum  
Protection level IP65  
Outer box  
Number of gear boxes



011

Name 80 large lighting and high power broadcast  
Outer diameter 480\*130m  
Inner diameter : 70mm  
Power : 6W/6\*2W  
Material De cast aluminum  
Protection level IP65  
Outer box  
Number of floats



012

Name 100 Hongguang high power band broadcast  
Outer diameter : 100\*150m  
Inner diameter : 92mm  
Power : 9W/9\*2W  
Material Die casting  
Protection level IP65  
Outer box  
Number of super spares



Scene display



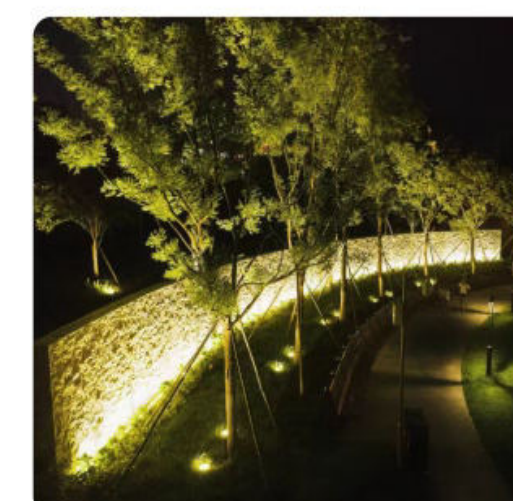
Detailed display



Hongguang floodlight COB with clamp series



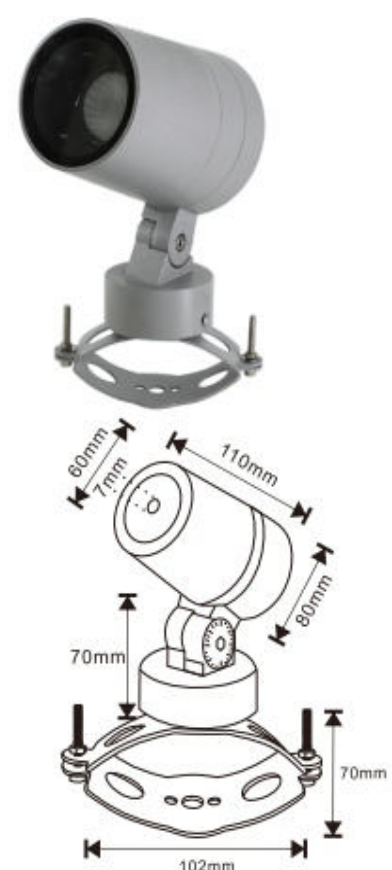
Scene display



Detailed display



Hongguang floodlight high power clamp series



013

Name 60mm Hongguang COB with clamp  
Outer diameter : 50\*110mm  
Luminous surface : 7mm  
Power : 10W  
Material Die cast aluminum  
Protection Level : IP65  
Foreign  
Packing quantity



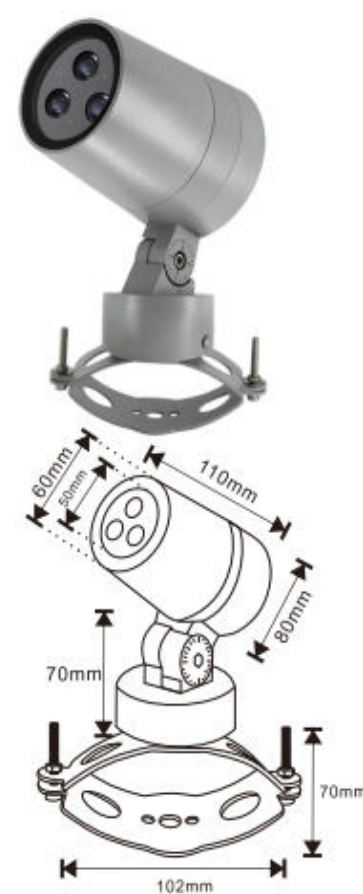
014

Name 80 Hongguang COB with clamp  
Outer diameter : \$60\*130mm  
Luminous surface :11mm  
Power : 20W  
Material Die cast aluminum  
Protection Level : IP65  
Outer box  
Packing quantity



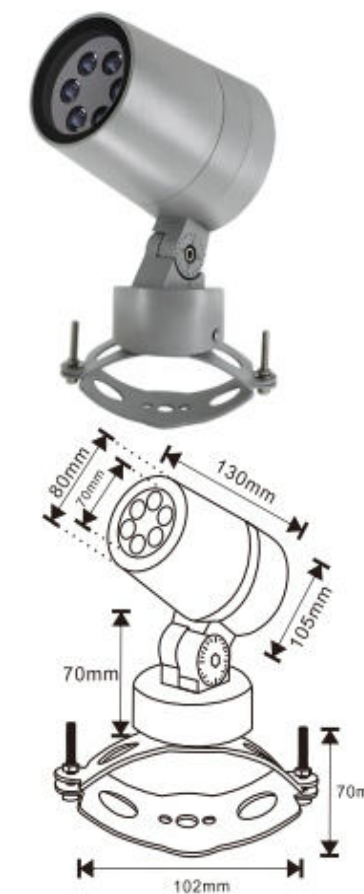
015

Name 100mm Hongguang COB with Clamp  
Outer diameter : \$100\*150mm  
Luminous surface :17mm  
Power : 30W  
Material Die cast aluminum  
Protection Level : IP65  
Outer box  
Packing quantity



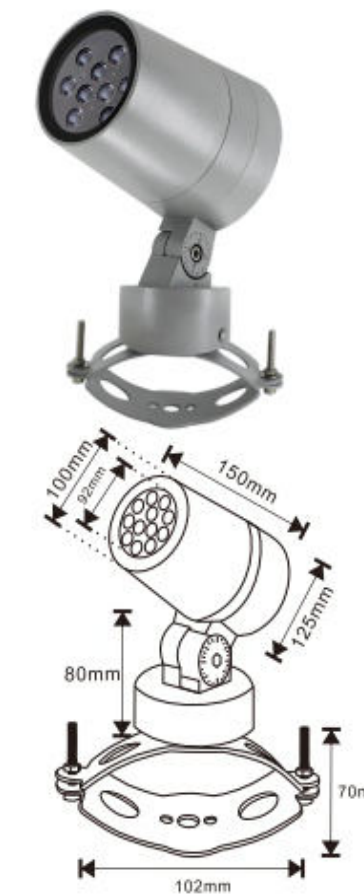
016

Name 60 Hongguang high power with clamp  
Outer diameter : 60\*110mm  
Inner diameter :50mm  
Power : 3W/3\*2W  
Material Die cast aluminum  
Protection Level : IP65  
Outer box  
Packing quantity



017

Name 80 Hongguang high power with clamp  
Outer diameter : \$80\*130mm  
Inner diameter :70mm  
Power : 6W/6\*2W  
Material Die cast aluminum  
Protection Level : IP65  
Outer box  
Packing quantity



018

Name 100 Hongguang high power with clamp  
Outer diameter : \$100\*150mm  
Inner diameter :92mm  
Power : 9W/9\*2W  
Material Die cast aluminum  
Protection Level : IP65  
Outer box  
Packing quantity



Scene display



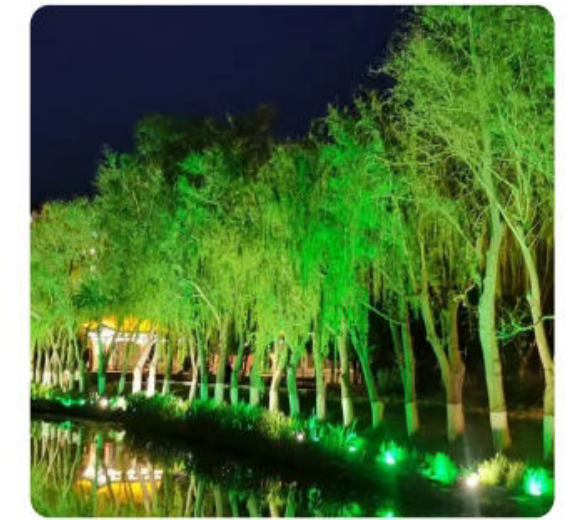
detailed display



Hongguang floodlight COB with telescopic pole series



Scene display



detailed display

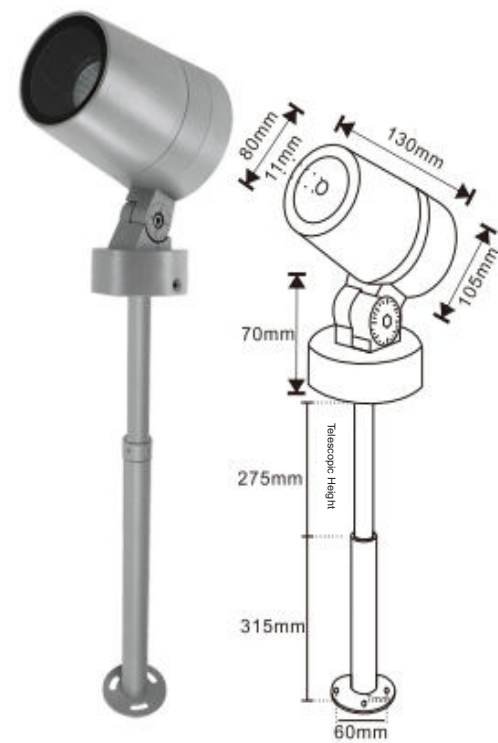


Hongguang floodlight COB with telescopic pole series



025

Name: 60Hongguang COB - with telescopic rod  
Outer diameter : 60\*110mm  
Luminous surface: 7mm  
Power : 10W  
Material die cast aluminum  
Protection Level: IP65  
Outer box  
Packing quantity



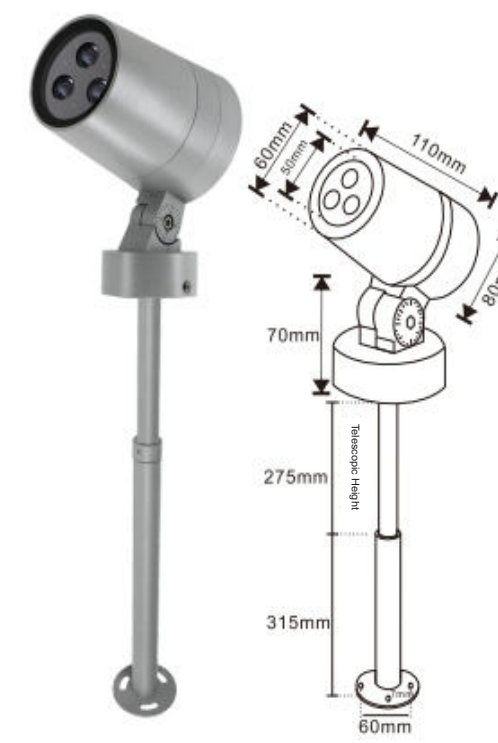
026

Name: 80Hongguang COB - with telescopic rod  
Outer diameter : 80\*130mm  
Luminous surface: 11mm  
Power : 20W  
Material die cast aluminum  
Protection Level: IP65  
Outer box  
Packing quantity



027

Name: 100Hongguang COB - with telescopic rod  
Outer diameter : 100\*150mm  
Luminous surface: 17mm  
Power : 30W  
Material die cast aluminum  
Protection Level: IP65  
Outer box  
Packing quantity



028

Name: 60Hongguang high power - with telescopic pole  
Outer diameter : 60\*110mm  
Inner diameter: 50mm  
Power : 3W/3\*2W  
Material die cast aluminum  
Protection Level: IP65  
Outer box  
Packing quantity



029

Name: 80Hongguang high power - with telescopic pole  
Outer diameter : 80\*130mm  
Inner diameter: 70mm  
Power : 6W/6\*2W  
Material die cast aluminum  
Protection Level: IP65  
Outer box  
Packing quantity



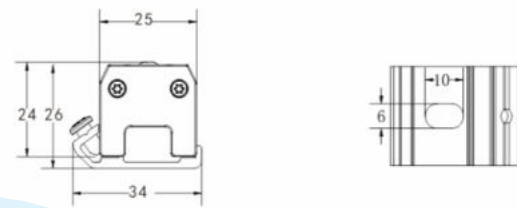
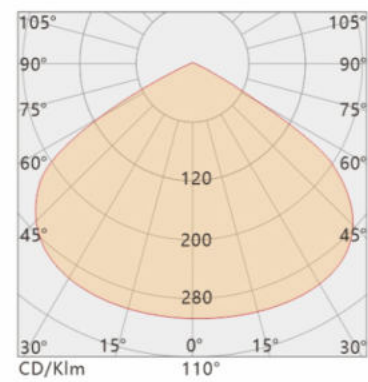
030

Name: 100 Hongguang high power - with telescopic pole  
Outer diameter : 100\*150mm  
Inner diameter: 92mm  
Power : 9W/9\*2W  
Material die cast aluminum  
Protection Level: IP65  
Outer box  
Packing quantity



### Technical parameters

Input voltage: DC24V  
 Electrical safety level: Class III  
 LED light Source: OSRAM  
 Driving electrical appliances -  
 Constant voltage power supply  
 Control Mode: ON-OFF/DMX512  
 Light output angle : 110°  
 Product weight : 0.5kg

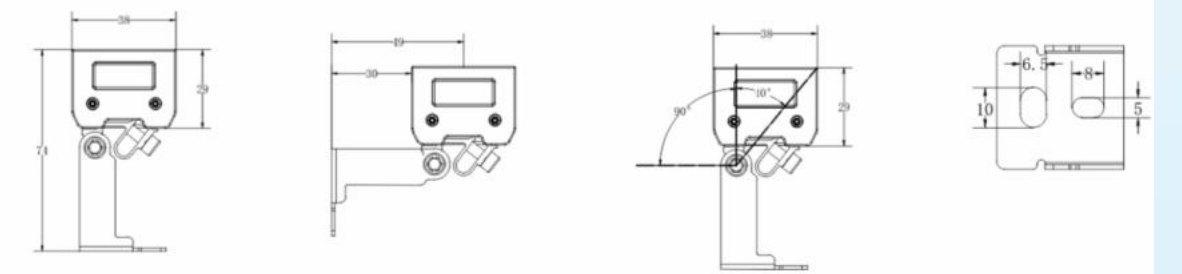
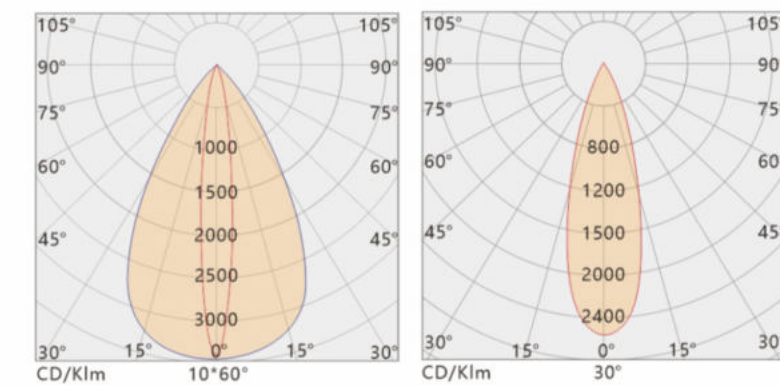


Product Model	Product power	Number of light Sources	Glow Color	Working voltage	LED light source	Protection Level
WGZ-LAXT4800	12W	48PCS	Monochrome	DC24V	OSRAM	IP65
WGZ-LAXT48F0	12W	48PCS	RGBW	DC24V	4-in-1	IP65



### Technical parameters

Input voltage: DC24V  
 Electrical safety level: Class III  
 LED light Source: OSRAM  
 Driving electrical appliances -  
 Constant voltage power supply  
 Control Mode: ON-OFF/DMX512  
 Light output angle : 30°  
 Product weight : 0.8kg  
 Product size : L1000\*W25\*H28mm  
 Product outlet : waterproof male and female docking-  
 2\*ø.75<sup>mm</sup>

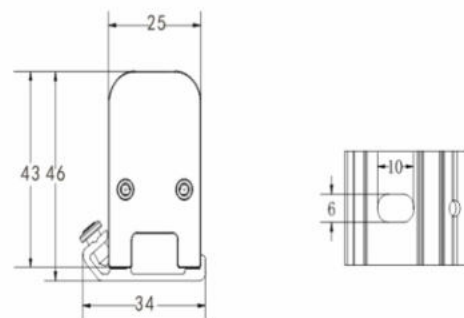
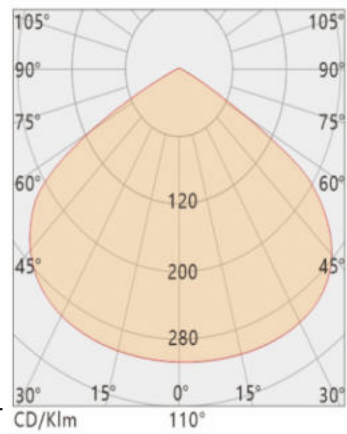


Product Model	Product Power	Number of light sources	Glow color	Working voltage	LED light source	Protection level
WGZ-HAXQ1801	18W	18PCS	Monochrome	DC24V	OSRAM	IP65
WGZ-HAXQ2401	24W	24PCS	Monochrome	DC24V	OSRAM	IP65
WGZ-HAXQ3601	36W	36PCS	Monochrome	DC24V	OSRAM	IP65
WGZ-HAXQ24F2	18-36W	24PCS	RGBW	DC24V	4-in-1	IP65



### Technical parameters

Input voltage: DC24V  
 Electrical safety level: Class III  
 LED light Source: OSRAM  
 Driving electrical appliances -  
 Constant voltage power supply  
 Control Mode: ON-OFF/DMX512  
 Light output angle : 110°  
 Product weight : 0.6kg  
 Product size : L1000\*W25\*H43mm  
 Product outlet: waterproof male and-  
 Female docking 2\*0.75<sup>m2</sup>

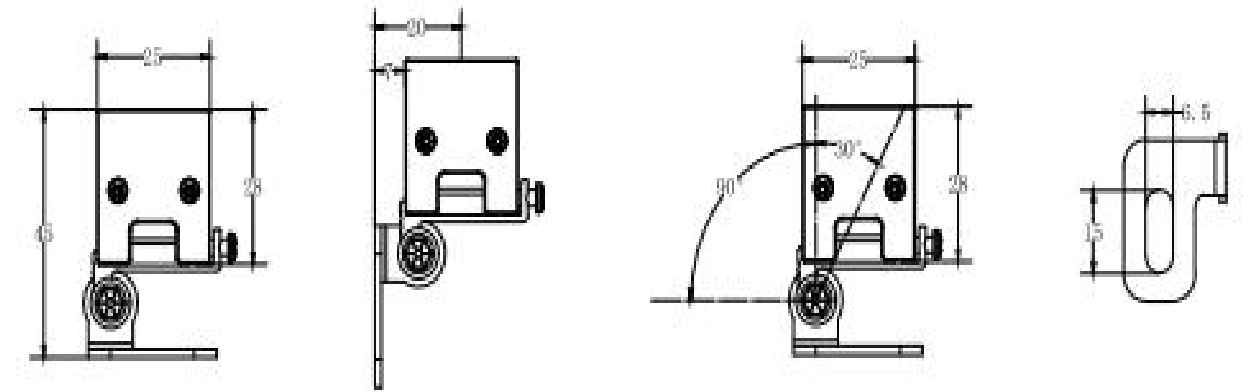
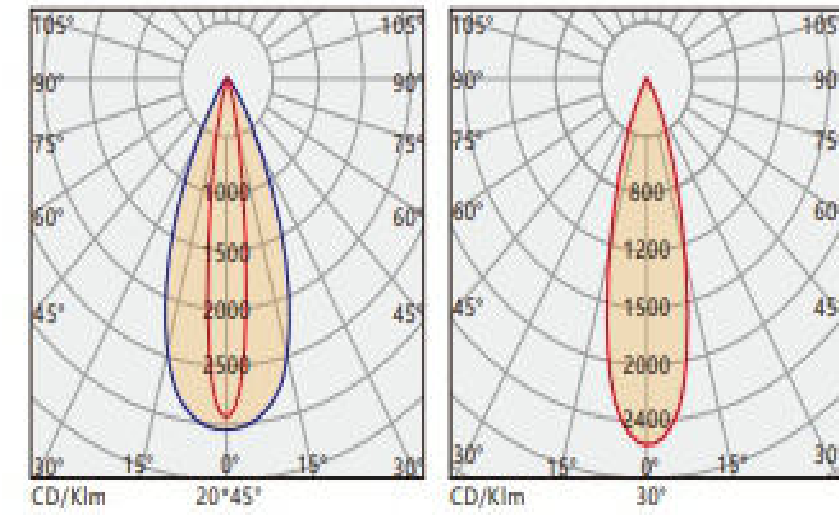


Product Model	Product power	Number of light Sources	Glow Color	Working voltage	LED light source	Protection etc.
WGZ-LBXT4800	12W	48PCS	Monochrome	DC24V	OSRAM	IP65
WGZ-LBXT48F0	12W	48PCS	RGBW	DC24V	4-in-1	IP65



### Technical parameters

Input voltage: DC24V  
 Electrical safety level: Class III  
 LED light Source: OSRAM  
 Driving electrical appliances -  
 Constant voltage power supply  
 Control Mode: ON-OFF/DMX512  
 Light output angle : 30°  
 Product weight : 0.8kg  
 Product size : L1000\*W25\*H28mm  
 Product outlet: waterproof male and-  
 Female docking 2\*0.75<sup>m2</sup>



Product Model	Product Power	Number of light sources	Glow color	Working voltage	LED light source	Protection level
WGZ-LCXT4800	12W	48PCS	Monochrome	DC24V	OSRAM	IP65
WGZ-LCXT48F0	12W	48PCS	RGBW	DC24V	4-in-1	IP65